



► Models LP3SL, LP3PL, LP3TL and LP3ML

StreamLine® Low Profile Steady Burning LED Lights



Model LP3L low profile LED light is offered in four mounting configurations: LP3PL with an integrated 1/2" NPT pipe mount, LP3ML features an integrated 1/2" NPT male pipe mount, LP3TL features a T formation base with 2 mounting holes for wall or flush mounting and the LP3SL features a three hole surface mounting configuration.

Models LP3ML, LP3SL, and LP3TL include a surface mount gasket to complete the Type 4X installation. An optional dome guard is available for use with the LP3ML, LP3SL and LP3TL when installed on a panel.

All models include the vibration resistant, double contact bayonet style 50,000 hour LED module.

Like all StreamLine® products, the LP3L is designed with OEM applications in mind.

FEATURES

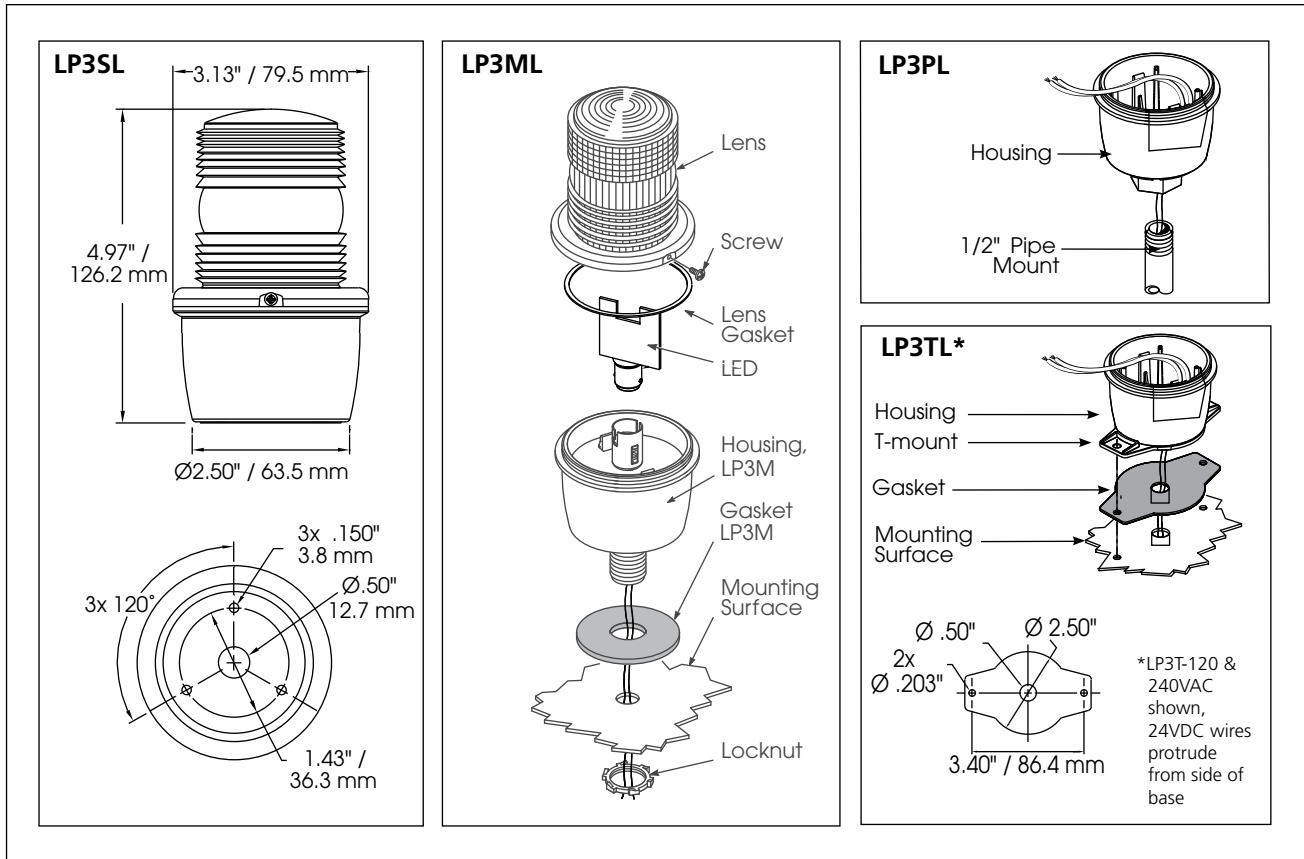
- Available in 24VDC and 120VAC
- T-mount (TL), integrated 1/2-inch NPT pipe mount (PL), 1/2-inch NPT male pipe mount (ML) or surface mount (SL)
- Five lamp/lens colors: Amber, Blue, Clear, Green and Red
- 50,000 Hour LED
- Screw on lens
- Indoor/outdoor use
- Type 4X, IP66 enclosure
Model LP3TL (T-Mount) is Type 4X, IP66 only
- IP69K compliant
- Optional wire lens guard
- PLC Compatible
- CSA Certified
- UL and cUL Listed

MODEL	VOLTAGE	OPERATING CURRENT
LP3 * L-024 **	24VDC	0.08 amps
LP3 * L-120 **	120VAC	0.13 amps

* Indicates Mounting Style: (S) Surface Mount, (P) Pipe Mount, (T) T-Mount, or (M) Male Pipe Mount

** Indicates color: (A) Amber, (B) Blue, (C) Clear, (G) Green or (R) Red

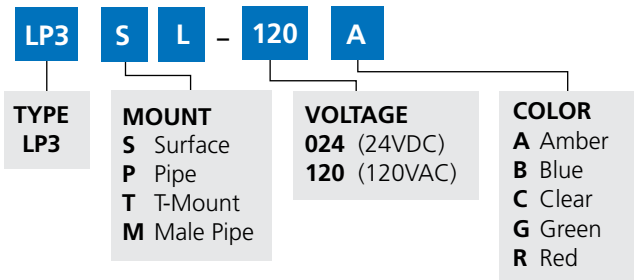
StreamLine® Low Profile Steady Burning LED Lights (LP3SL, LP3PL, LP3TL and LP3ML)



SPECIFICATIONS

Lamp Life:		50,000 Hours
Light Source:		LED
Operating Temperature:	-31°F to 150°F	-35°C to 65°C
Net Weight:	0.46 lbs	0.21 kg
Shipping Weight:	0.53 lbs	0.24 kg
Diameter:	3.13"	79.5 mm
Height (from bottom):		
LP3PL	5.7"	144.8 mm
LP3ML	5.8"	147.3 mm
LP3TL	5.1"	129.5 mm
LP3SL	4.97"	126.2 mm

HOW TO ORDER



REPLACEMENT PARTS

Description	Part Number
Lens, Amber	K8589063A
Lens, Blue	K8589063A-01
Lens, Clear	K8589063A-02
Lens, Green	K8589063A-03
Lens, Red	K8589063A-04
Gasket Kit ¹	K858900353A
LED, 24V Amber	K8107199A
LED, 24V Blue	K8107199A-03
LED, 24V Clear	K8107199A-04
LED, 24V Green	K8107199A-02
LED, 24V Red	K8107199A-01
LED, 120V Amber	K8107200A
LED, 120V Blue	K8107200A-03
LED, 120V Clear	K8107200A-04
LED, 120V Green	K8107200A-02
LED, 120V Red	K8107200A-01

¹ Includes gasket for LP3SL and LP3TL

OPTIONAL ACCESSORIES

Description	Part Number
Wire guard (compatible with S, T, and M mounts only)	LP3G

