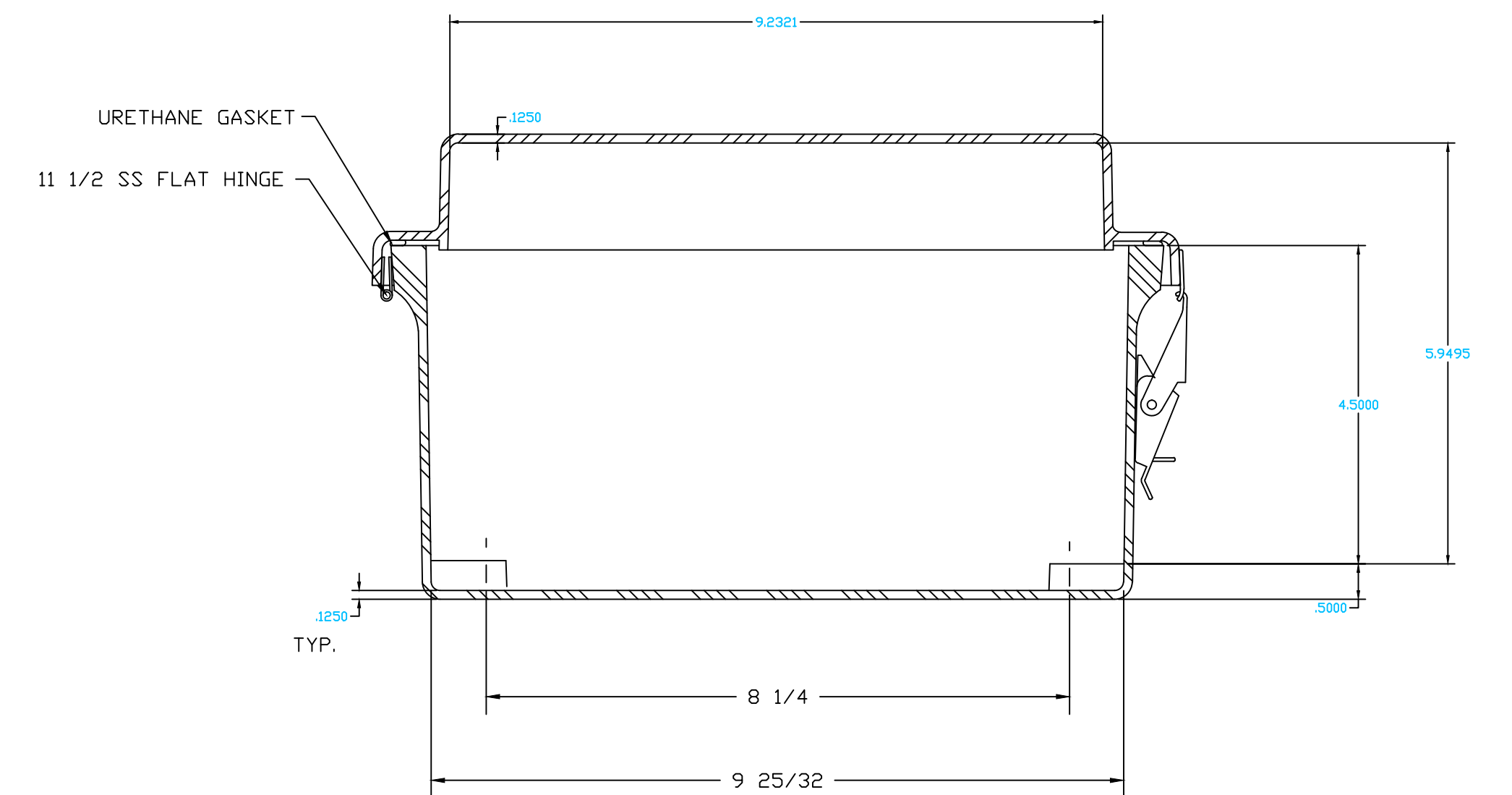
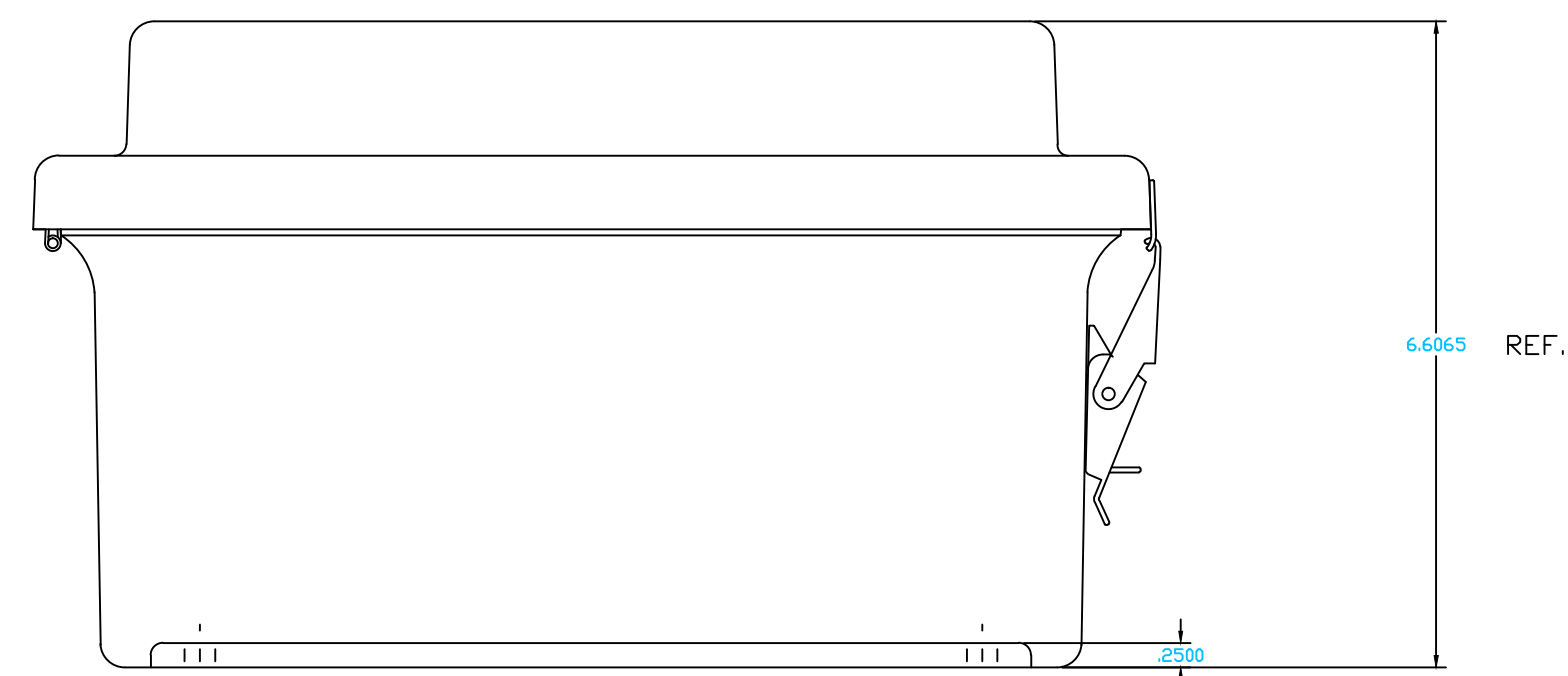



SECTION B-B



SECTION A-A

NEMA 4X				TOLERANCES UNLESS SPECIFIED		DECIMAL ± .010	FRACTIONAL ± 1/32
COLOR GLACIER GRAY RR1013							
MATERIAL F.R. POLYESTER FIBERGLASS				DR. BY GF	DATE 6/4/02	 BELDING, MICHIGAN 48809	
REVISION RECORD				CHK. BY	DATE		
LET.	DATE	BY	CHD.	APD. BY	DATE	CUSTOMER	
				SCALE DO NOT SCALE		PART NAME ENCLOSURE	
						PART NO. RJ1210HPL	