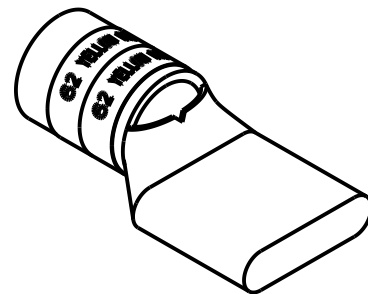
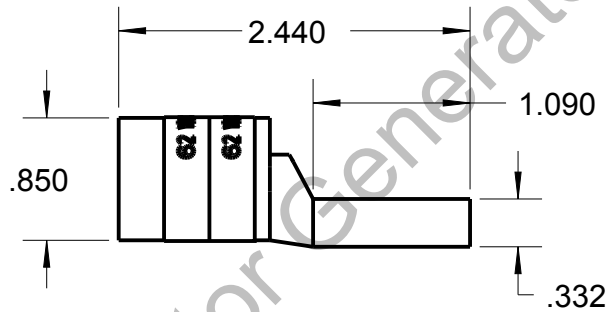
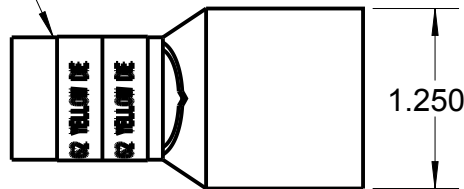


# Blackburn Compression


Featuring the Color-Keyed® System

CATALOG NO. 58166BT

STANDARD  
BARREL



WIRE SIZE: 300 MCM, 4/0 WELD, 650/24  
MATERIAL: HIGH CONDUCTIVITY COPPER  
FINISH: TIN PLATED

GENERAL NOTES		 www.tnb.com			
1. ALL DIMENSIONS ARE FOR REFERENCE ONLY. 2. DIMENSIONS IN BRACKETS [ ] ARE IN METRIC UNITS.					
REVISIONS		DESCRIPTION: 0 HOLE LUG			
** SEE ERN (****) FOR APPROVAL SIGNATURES & RELEASE DATE. PROJECT NO: ****		ORIGINAL PROJECT NO / (ERN NO)	SHEET NO:	REV. NO:	DRAWING NO: WSD-002990
		/ ( )	1 OF 1	0	58166BT

THIS DRAWING IS INTENDED FOR DESCRIPTIVE PURPOSES ONLY. AND THE RIGHT IS RESERVED TO DEVIATE FROM ANY OF THE DETAILS SHOWN HEREON.

© 2005 Thomas & Betts - Proprietary, All Rights Reserved