

BALDOR® • **RELIANCE**

Product Information Packet

GPP12544

.13HP,DC,PSM-0,2416P,TENV,F1

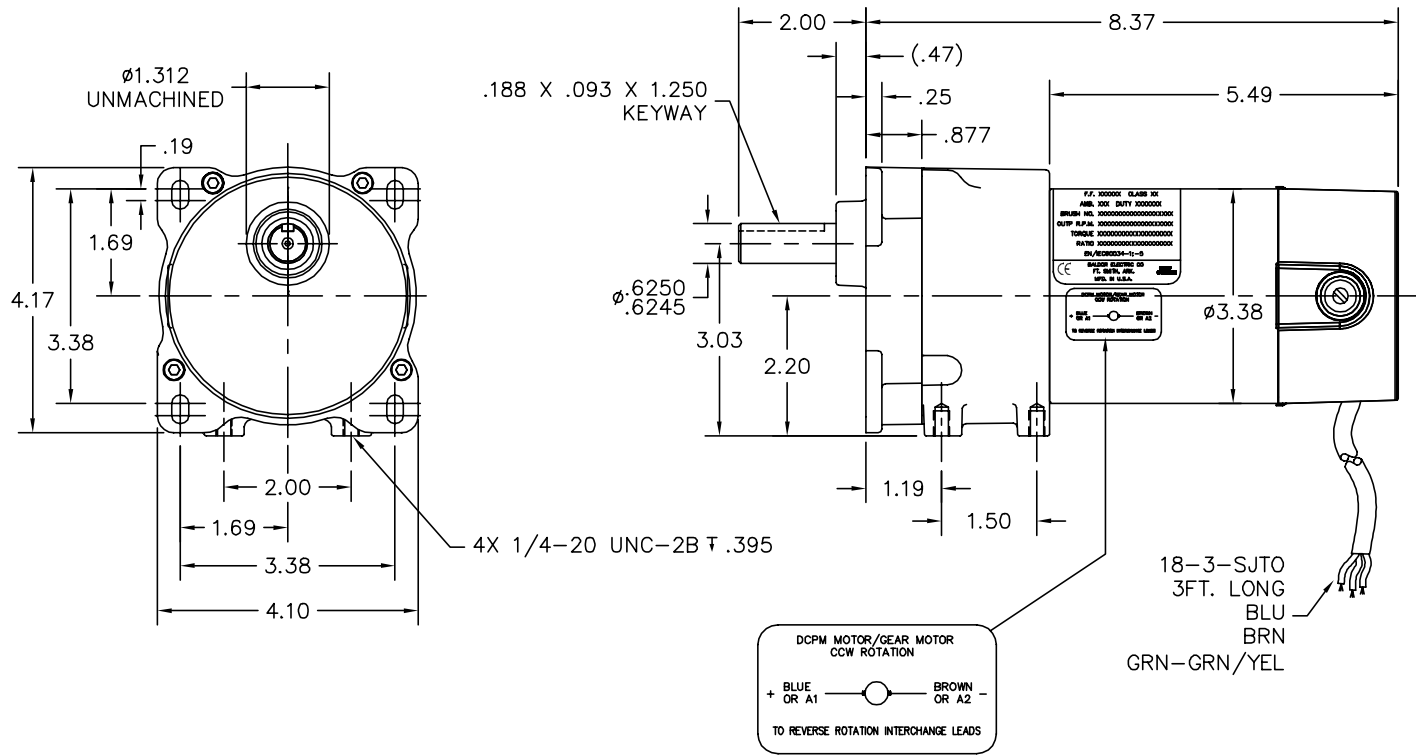
Part Detail							
Revision:	X	Status:	PRD/A	Change #:		Proprietary:	No
Type:	DC	Prod. Type:	2416P	Elec. Spec:	24WGZ026	CD Diagram:	CD1899
Enclosure:	TENV	Mfg Plant:		Mech. Spec:		Layout:	24A099Z026G5
Frame:		Mounting:		Poles:	00	Created Date:	
Base:		Rotation:	R	Insulation:	F	Eff. Date:	06-02-2015
Field Type:		Literature:		Elec. Diagram:		Replaced By:	

Specs			
Enclosure:	TENV		
Gearhead Type:	PARALLEL SHAFT		
Gear Ratio:	30:1		
Gear Style:	PSM		
Mounting Arrangement:	0.000		
Product Family:	General Purpose		

Nameplate NP1220A08

CAT.NO.	GPP12544		
SER.NO.			
SPEC.	24A099Z026G5		
FRAME	PSM	TYPE	2416P
HP	.13	TE	
VOLTS	90DC		
AMP	1.35		
F.F.	1.56	CLASS	F
AMB.	40	DUTY	CONT
BRUSHES	2/BP5052BP01		
R.P.M.	83		
TORQ/IN LB	90		
RATIO	30:1		
APRV-CE		APRV-CUL	

24A099Z026G5



CUSTOMER IS RESPONSIBLE FOR DETERMINING THAT BALDOR'S PRODUCT WILL PERFORM SUITABLY IN THE INTENDED APPLICATION.

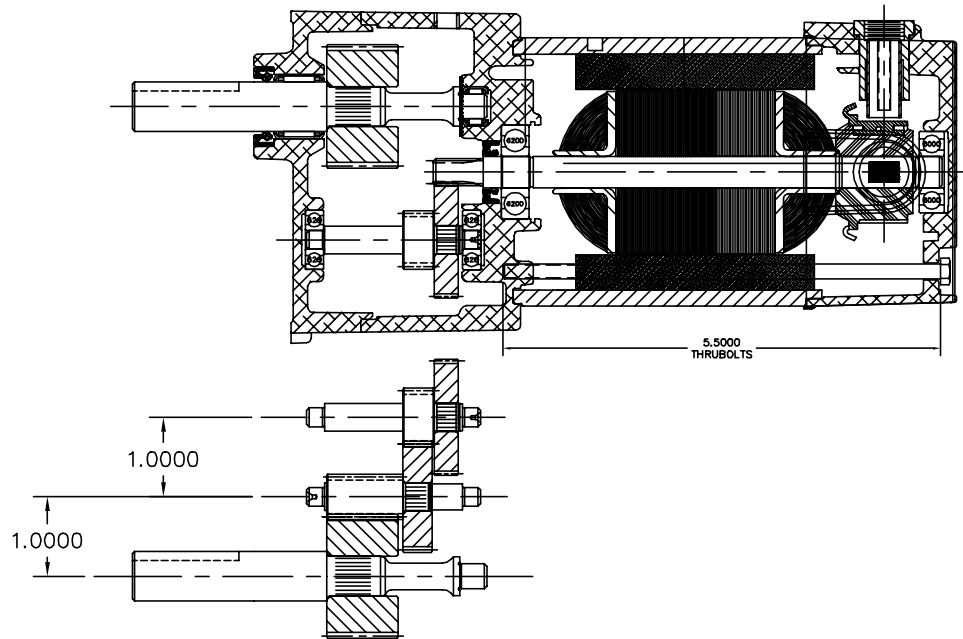
REV. DESC: UPDATE NP TO SHOW STICKY VH203755333		
REV. LTR: E	VERSION: 05	TDR: 000001040512
FILE: \CKA\00021\618	REVISED: 10:20:50 08/29/2017	BY: CKMICRO
MTL: -		

BALDOR

LY,24DC PSM DOM TENV
SH 1 of 2


24A099Z026G5

24A099Z026G5



24A099Z026G5

CUSTOMER IS RESPONSIBLE FOR DETERMINING THAT BALDOR'S PRODUCT WILL PERFORM SUITABLY IN THE INTENDED APPLICATION.

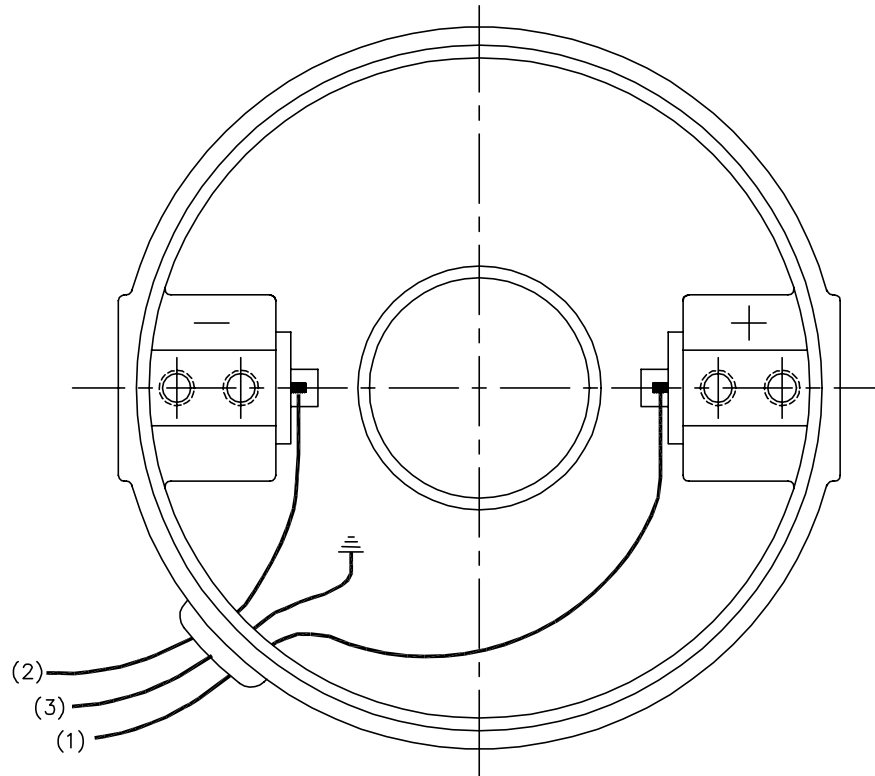
REV. DESC: UPDATE NP TO SHOW STICKY VH203755333		
REV. LTR: E	VERSION: 05	TDR: 000001040512
FILE: \CKA\00021\618	REVISED: 10:20:50 08/29/2017	BY: CKMICRO
MTL: -		

BALDOR

LY,24DC PSM DOM TENV

SH 2 of 2

CD1899



(1) COLOR MAY BE
RED
WHT
BLU

(2) COLOR MAY BE
BLK
BRN

(3) COLOR WHEN REQ.
GRN
GRN/YEL

VIEWED FROM
DRIVE END

REV. DESC: NEW			
REV. LTR: -	BY: PAW	REVISED: 09:06:34 09/16/2004	TDR: 341564
668100		FILE: CKA00025830	REF: CD1899
		MTL: -	

BALDOR ELECTRIC Co.

PM,2LD,REV,TANG,CK

CD1899