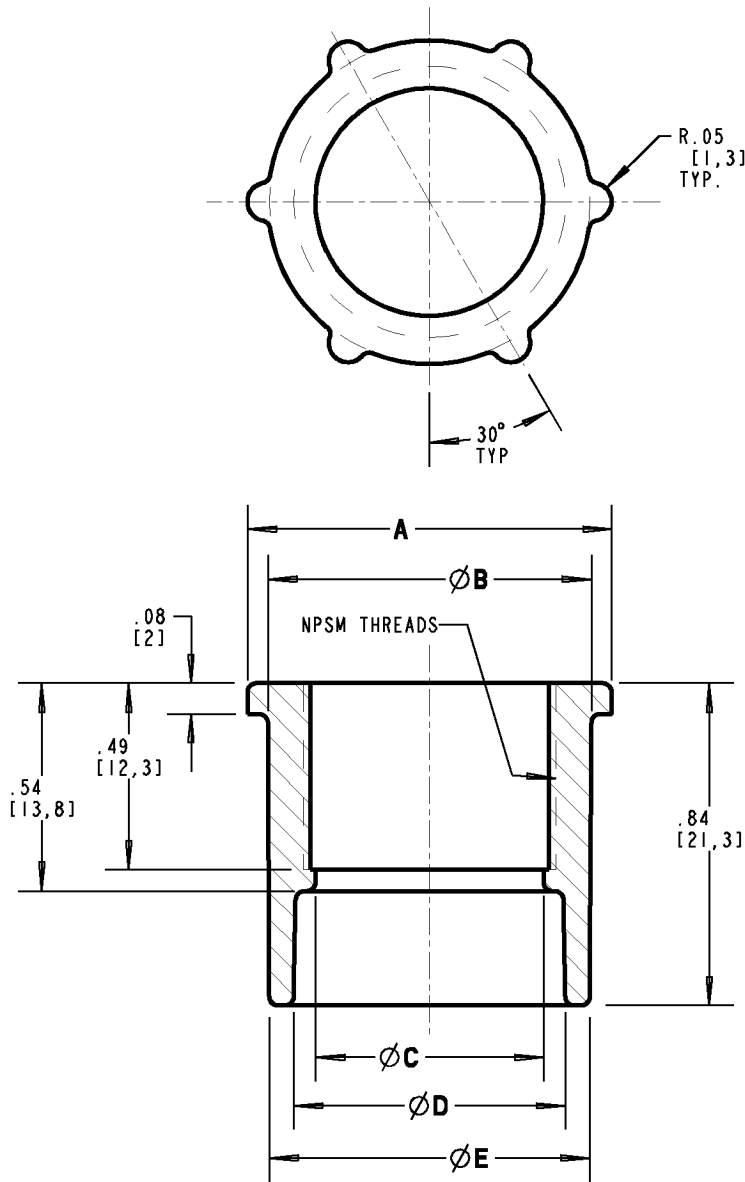


# Carlton®



PART NUMBER	SIZE / THREADS	A	B	C	D	E
E9842D	1/2"	1.19 [30.1]	1.05 [26.8]	.74 [18.6]	.88 [22.5]	1.05 [26.5]
E9842E	3/4"	1.46 [37.2]	1.32 [33.5]	1.02 [25.8]	1.16 [29.5]	1.31 [33.2]

### GENERAL NOTES

- ALL DIMENSIONS ARE FOR REFERENCE ONLY.
- DIMENSIONS IN BRACKETS [ ] ARE IN METRIC UNITS.

### REVISIONS

\*\*\* SEE ERN ( \*\*\*\* ) FOR APPROVAL SIGNATURES & RELEASE DATE.  
PROJECT NO: \*\*\*\*

**Thomas & Betts**  
www.tnb.com

DESCRIPTION: **ADAPTER - FEMALE THREADED  
1/2" OR 3/4" NPSM**

ORIGINAL PROJECT NO / ( ERN NO )  
/ ( )

SHEET NO:  
1 OF 1

REV. NO:  
B

DRAWING NO:  
WSD-AC04178