



Wall Light

WLSG27LED 27 Watt LED Wall Light



SPECIFICATIONS:

Lumens: 3017
Watts: 26.73
Lumens/Watt: 112.9
CRI: 82.9
CCT: 4603
Lifespan: 200,000+ hrs.¹

Construction:

Rugged Traditional aluminum die cast housing provides proven environmental protection for LED modules. Traditional fixture designs provide a familiar look and standard installation requirements. Retaining this look allows the ability to upgrade fixtures gradually, while retaining the same overall fixture appearance throughout a facility. The smooth housing prevents debris build up and maximizes airflow over housing.

Glare Free:

Positioning of the LED modules within the housing result in light directed to desired locations and eliminates offensive light.

Lens:

Lens assembly is designed to provide high efficiency and to target the light where needed to satisfy outdoor lighting requirements. Positioning of the LEDs (along with Patent Pending thermal management system) results in the light being directed to desired locations eliminating glare and offensive light.

Thermal Management:

Atlas' Patent Pending exclusive Thermal Stacking Technology System™ features a unique internal design that allows for lower operating temperatures which results in a brighter, whiter light, more stable color and longer LED and driver life.

Listings:

Luminaire is certified to UL/cUL Standards for Wet Locations
 Lighting Facts Certified
 DesignLights Consortium qualified luminaire, eligible for rebates from DLC member utilities. DLC Product ID: PC8KV45PB

AC Input:

120/208/240/277 V

Driver:

Constant current, Class 2, 120-277 VAC, 50-60 Hz
 High Efficiency – min. 84%
 Off-State Power: 0 Watts
 0-10 V Dimming

LEDs:

4500K CCT
 Epoxy Guard™ protective conformal coated boards
 Atlas LEDs provide higher lumen output, greater energy efficiency and more reliable fixture performance. They are tested and binned at 700mA which is the actual operating current used in Atlas LED luminaires, giving a better representation of actual performance.

Warranty: Five-year limited warranty

Testing:

Atlas LED luminaires have been tested by an independent laboratory in accordance with IESNA LM-79 & LM-80, and have received the Department of Energy "Lighting Facts" label.

Installation:

Fixture retains the same knock-out sizes and positions as previous models, reducing wiring costs.

Weight: 6.6 lbs.

Photo Control:

For factory installed 120V button photo control add suffix PC to part number.

Project Information

Job Name

Fixture Type 27 Watt LED Die Cast Wall Light

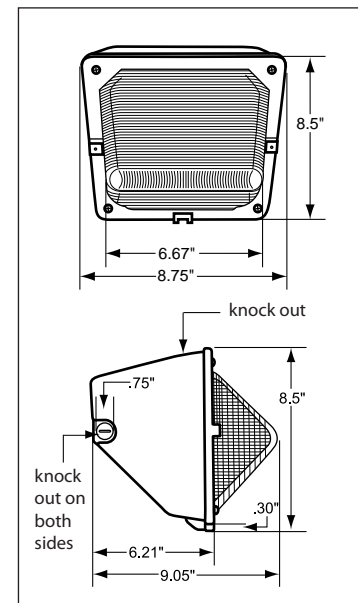
Catalog Number WLSG27LED

Approved by



Patent Pending

DIMENSIONS:



**Rebates and Incentives are available in many areas.
 Contact an Atlas Representative for more information.**

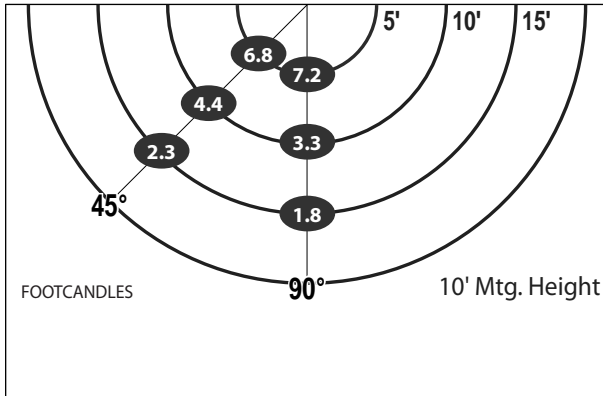
¹LED Life Span Based Upon LM-80 Test Results

ATLAS LIGHTING PRODUCTS, INC.

PO BOX 2348 | BURLINGTON, NC 27216
 800-849-8485 | FAX: 336-227-0110 | www.atlaslightingproducts.com

*The majority of Atlas Lighting Products are assembled in USA facilities by an American Workforce utilizing both Domestic and Foreign components. Meets Buy American requirements within the ARRA.

PHOTOMETRIC



ENERGY SAVINGS

LED		HID			ANNUAL SAVINGS
WATTAGE	ANNUAL COST	SOURCE WATTAGE	TOTAL WATTAGE USED	ANNUAL COST	
27	\$12	50	72	\$52	\$40
27	\$12	70	90	\$59	\$47
27	\$12	100	129	\$77	\$65

Atlas Lighting Products, Inc.

LED lighting facts
A Program of the U.S. DOE

Light Output (Lumens)	3017
Watts	26.73
Lumens per Watt (Efficacy)	112.9

Color Accuracy Color Rendering Index (CRI)	82
--	-----------

Light Color Correlated Color Temperature (CCT)	4603 (Daylight)
--	------------------------

2700K 3000K 4500K 6500K

All results are according to IESNA LM-79-2008: *Approved Method for the Electrical and Photometric Testing of Solid-State Lighting*. The U.S. Department of Energy (DOE) verifies product test data and results.

Visit www.lightingfacts.com for the *Label Reference Guide*.

Registration Number: PRB4-YOGIDG (10/23/2015)
Model Number: WLSG27LED [Upgrade : 10/23/2015]
Type: Luminaire - Area/Roadway