

BALDOR® • **RELIANCE**

Product Information Packet

IDGMP2503

G.M. K28KF 230V AC 20:1 INVERTER DUTY

Part Detail							
Revision:	P	Status:	PRD/A	Change #:		Proprietary:	No
Type:	AC	Elec. Spec:	25WGW289	CD Diagram:	CD0006A16	Mfg Plant:	
Mech. Spec:		Layout:	25E752W289G3	Poles:	04	Created Date:	03-17-2006
Base:		Eff. Date:	04-11-2016	Leads:	3#18 UL3321		

Specs			
Enclosure:	TEFC		
Gearhead Type:	PARALLEL SHAFT		
Gear Ratio:	20:1		
Gear Style:	PSL		
Connection Diagram:	CD0006A16		
Dimensional Drawing Numbers:	25E752W289G3		
Duty Rating:	CONT		
Frame Material:	Aluminum		
Insulation Class:	F		
KVA Code:	L		

Nameplate NP1598A12							
CAT.NO.	IDGMP2503	SER.NO					
SPEC.	25E752W289G3						
VOLTS	230	IP	44				
MAG CUR	1.2	SL HZ	4.7				
RPM	1650	RPM MAX	3000				
HP	.38HP	HZ	60	PH	3	CLASS	F
FLA	1.5	WK2	0.0108				
RATING	40C AMB-CONT						
RATIO	20:1	OUT/RPM	83				
TORQ/IN LB	233						
CTSR	3:1						
APRV-CSA	<input type="checkbox"/>	APRV-CE	<input type="checkbox"/>	APRV-UL	<input type="checkbox"/>		

AC Induction Motor Performance Data

Record # 17811 - Typical performance - not guaranteed values

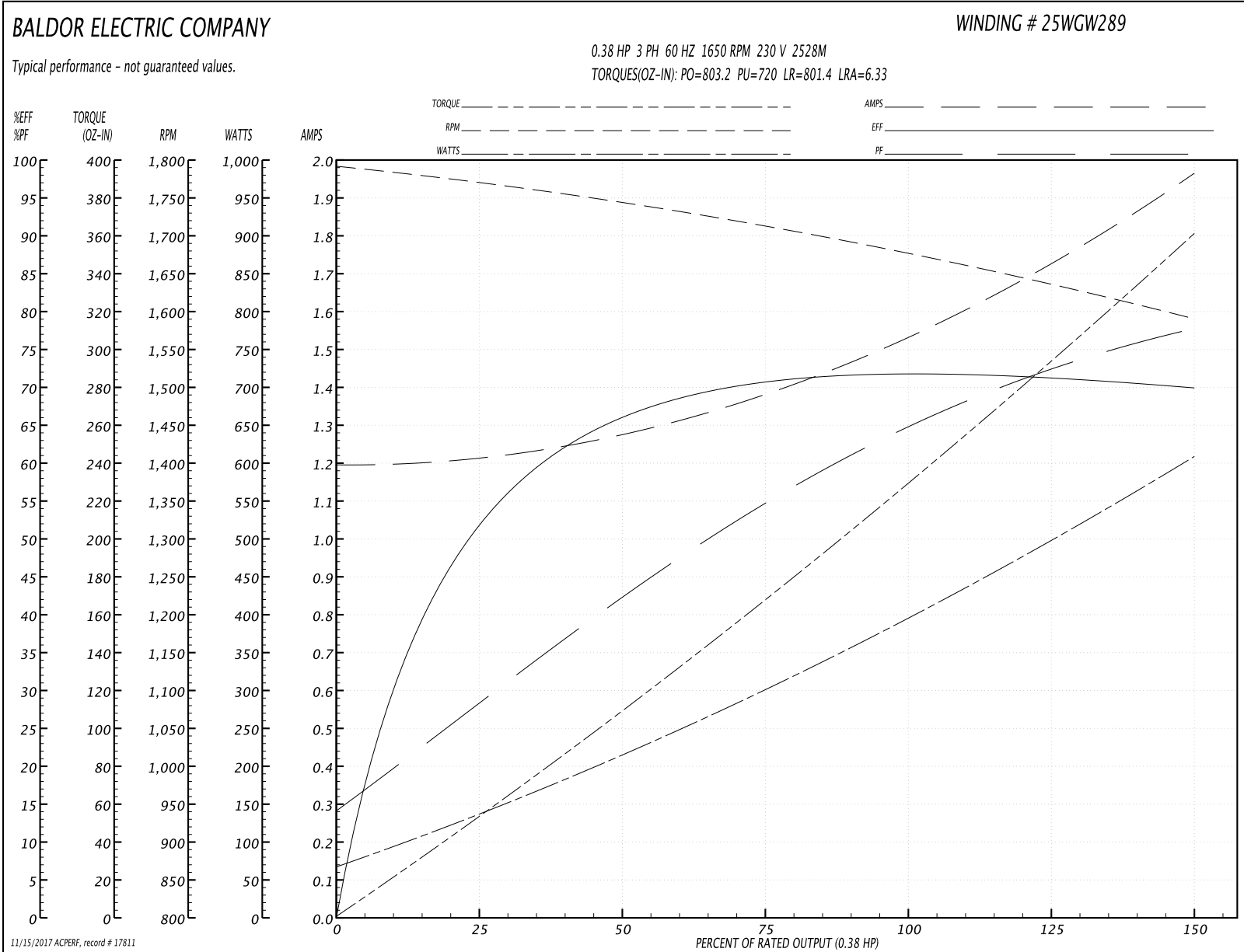
Winding: 25WGW289-R001	Type: 2528M	Enclosure: TEFC
-------------------------------	--------------------	------------------------

Nameplate Data				230 V, 60 Hz: Single Voltage Motor	
Rated Output (HP)	0.38			Full Load Torque	228.6 OZ-IN
Volts	230			Start Configuration	WYE start
Full Load Amps	1.5			Breakdown Torque	803.2 OZ-IN
R.P.M.	1650			Pull-up Torque	720 OZ-IN
Hz	60	Phase	3	Locked-rotor Torque	801.4 OZ-IN
NEMA Design Code	-	KVA Code	L	Starting Current	6.33 A
Service Factor (S.F.)	1.25			No-load Current	1.19 A
NEMA Nom. Eff.	0	Power Factor	0	Line-line Res. @ 25°C	13.578 Ω
Rating - Duty	40C AMB-CONT			Temp. Rise @ Rated Load	44°C
S.F. Amps	1.72			Temp. Rise @ S.F. Load	57°C
				Locked-rotor Power Factor	81
				Rotor inertia	24.9 LB-FT ²

Load Characteristics 230 V, 60 Hz, 0.38 HP

% of Rated Load	25	50	75	100	125	150	S.F.
Power Factor	30	43	55	64	72	78	72
Efficiency	49.3	65.4	71.3	72.2	71.6	69.6	71.6
Speed	1769	1743	1712	1678	1638	1589	1638
Line amperes	1.22	1.28	1.38	1.53	1.72	1.97	1.72

Performance Graph at 230V, 60Hz, 0.38HP Typical performance - Not guaranteed values



AC Induction Motor Performance Data

Record # 19751 - Typical performance - not guaranteed values

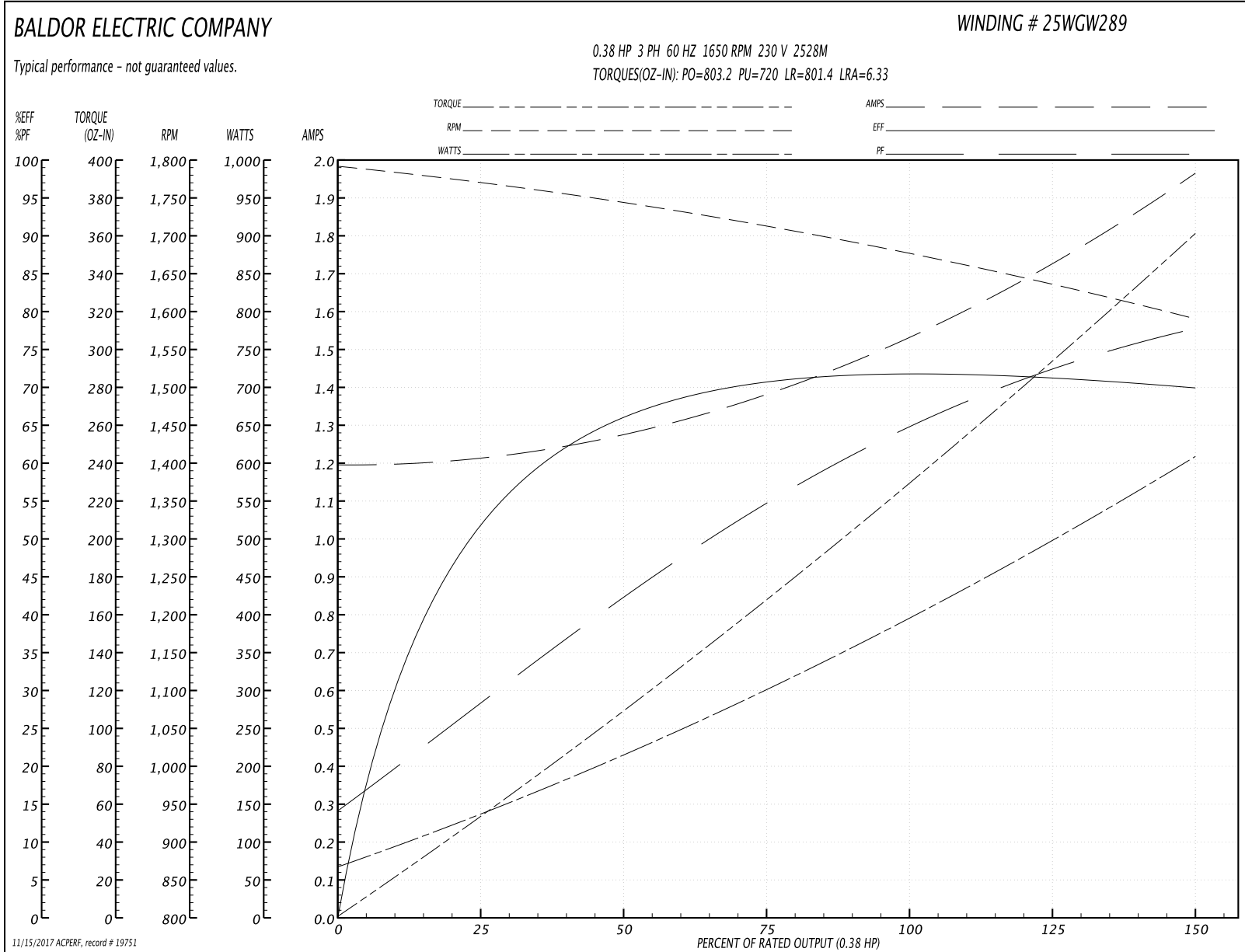
Winding: 25WGW289-R001	Type: 2528M	Enclosure: TEFC
-------------------------------	--------------------	------------------------

Nameplate Data				230 V, 60 Hz: Single Voltage Motor	
Rated Output (HP)	0.38			Full Load Torque	228.6 OZ-IN
Volts	230			Start Configuration	WYE start
Full Load Amps	1.5			Breakdown Torque	803.2 OZ-IN
R.P.M.	1650			Pull-up Torque	720 OZ-IN
Hz	60	Phase	3	Locked-rotor Torque	801.4 OZ-IN
NEMA Design Code	-	KVA Code	L	Starting Current	6.33 A
Service Factor (S.F.)	1.25			No-load Current	1.19 A
NEMA Nom. Eff.	0	Power Factor	0	Line-line Res. @ 25°C	13.578 Ω
Rating - Duty	40C AMB-CONT			Temp. Rise @ Rated Load	44°C
S.F. Amps	1.72			Temp. Rise @ S.F. Load	57°C
				Locked-rotor Power Factor	81
				Rotor inertia	24.9 LB-FT ²

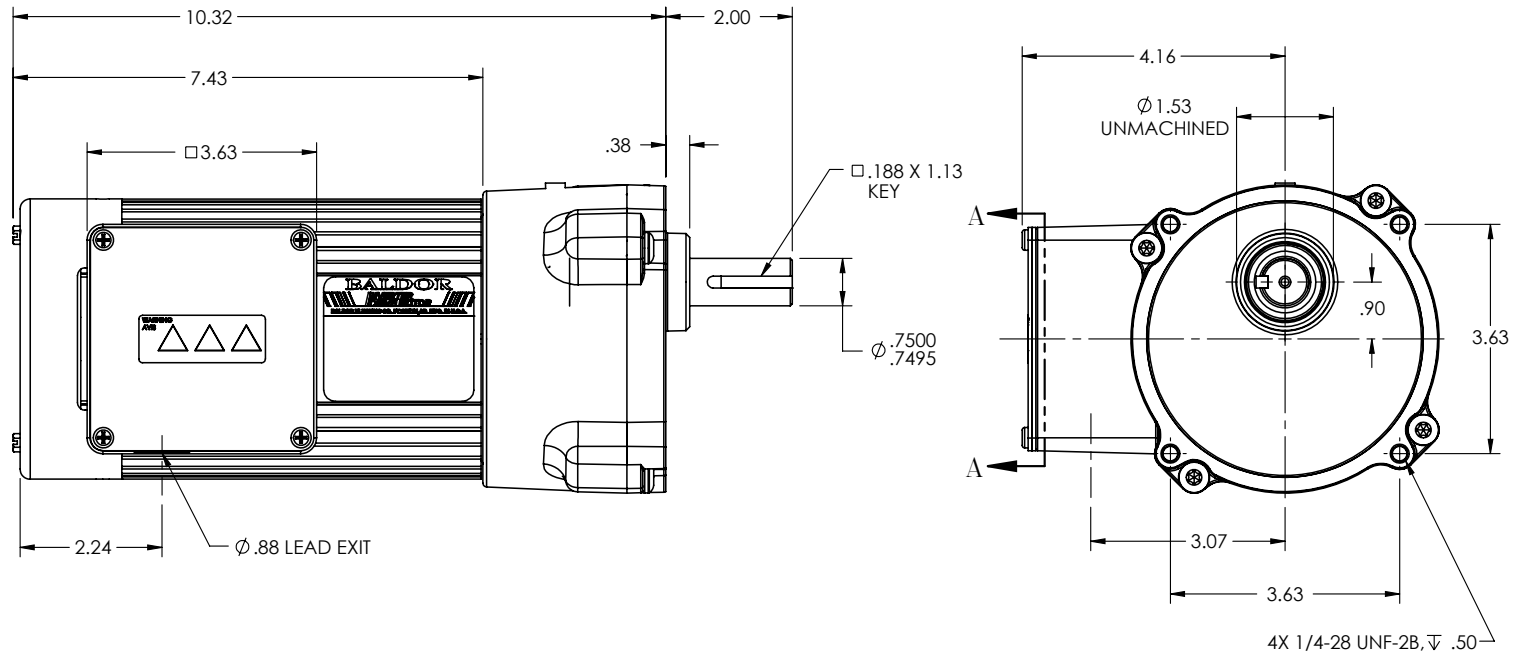
Load Characteristics 230 V, 60 Hz, 0.38 HP

% of Rated Load	25	50	75	100	125	150	S.F.
Power Factor	30	43	55	64	72	78	72
Efficiency	49.3	65.4	71.3	72.2	71.6	69.6	71.6
Speed	1769	1743	1712	1678	1638	1589	1638
Line amperes	1.22	1.28	1.38	1.53	1.72	1.97	1.72

Performance Graph at 230V, 60Hz, 0.38HP Typical performance - Not guaranteed values



25E752W289G3



THREE PHASE		1 ○	} LINE
SINGLE VOLTAGE		2 ○	
		3 ○	
THERMOSTAT LEADS (WHEN PROVIDED) { ○ J			
THERMOSTAT RATING		USE A MOMENTARY START SWITCH ONLY	
AMPS	VOLTS		
4.0	115	INTERCHANGE ANY TWO LINE WIRES TO REVERSE SHAFT ROTATION	
3.0	230		
1.5	460		
1.2	675		

SECTION A-A

CUSTOMER IS RESPONSIBLE FOR DETERMINING THAT BALDOR'S PRODUCT WILL PERFORM SUITABLY IN THE INTENDED APPLICATION

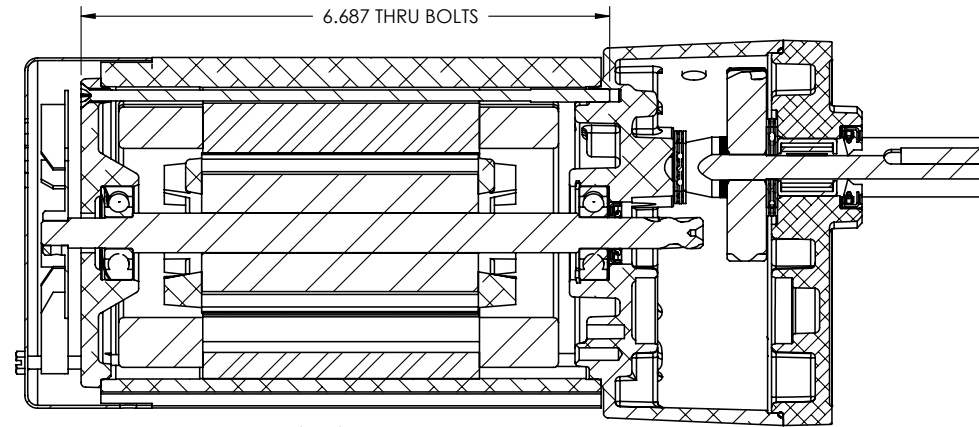
REV. DESC: 10.3 TO 10.32			
REV: C	VERSION: 03	REVISED: 03:54:17 08/31/2017	TDR: 000001040413
25E752W289G3		MODEL NO. 25E752W289G3	REF: -
		BY: CKYUKP0	

BALDOR

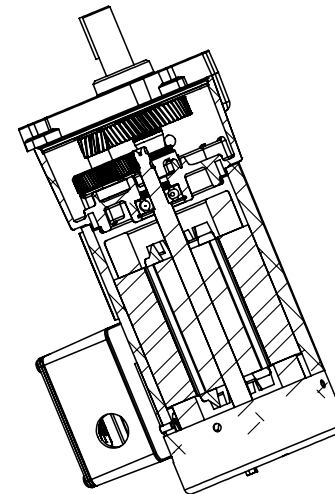
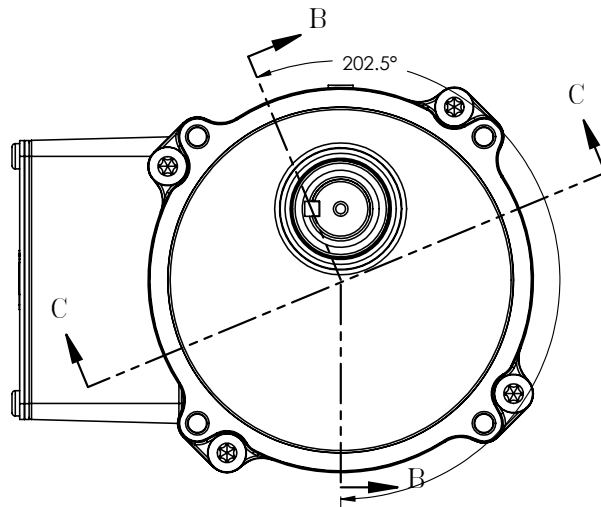
LY,25AC PSL EXR TEFC GP 2.000 KEYWAY

25E752W289G3

25E752W289G3



SECTION B-B



SECTION C-C

25E752W289G3

CUSTOMER IS RESPONSIBLE FOR DETERMINING THAT BALDOR'S PRODUCT WILL PERFORM SUITABLY IN THE INTENDED APPLICATION

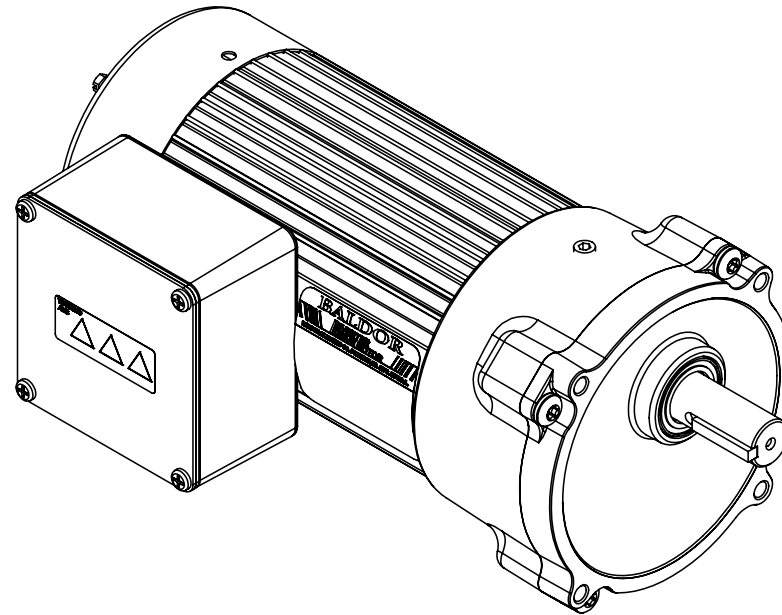
REV. DESC: 10.3 TO 10.32			
REV: C	VERSION: 03	REVISED: 03:54:17 08/31/2017	TDR: 000001040413
25E752W289G3		MODEL NO. 25E752W289G3	REF: -
		BY: CKYUKP0	

BALDOR

LY,25AC PSL EXR TEFC GP 2.000 KEYWAY

ITEM NO.	PART NUMBER	QTY.
1	HG0077A02	1
2	BMH1716	1
3	BG6200C03	2
4	HW5002A45	1
5	HW4600D28	1
6	BH1163A02	1
7	HW3064E05	1
8	HA4021A05	1
9	25SH4003F21	1
10	25RC2028A00	1
11	25SB0049F75	1
12	GS0120	1
13	CB0100B01	1
14	15XN0832A08	2
15	GS0121A01	1
16	CB0103A00	1
17	15XM0832A06	4
18	25EP2113A23	1
19	HW5109A08	1
20	55XT0632G03	1
21	HA3170A14	2
22	BFN3712	1
23	25FH4006A11	1
24	12XN0832A16	2
25	SG0045A35	1
26	SG0045A36	1
27	CG0012A01	1
28	RM1020A22	1
29	BH1163A03	1
30	HW4600D39	1
31	60XM2520A12	4
32	BMH1910	1
33	NP1598A12	1
34	LC0006	1
35	LB1451	1

25E752W289G3



CUSTOMER IS RESPONSIBLE FOR DETERMINING THAT BALDOR'S PRODUCT WILL PERFORM SUITABLY IN THE INTENDED APPLICATION

REV. DESC: 10.3 TO 10.32			
REV: C	VERSION: 03	REVISED: 03:54:17 08/31/2017	TDR: 000001040413
25E752W289G3		MODEL NO. 25E752W289G3	REF: -
		BY: CKYUKP0	

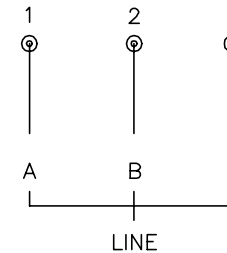
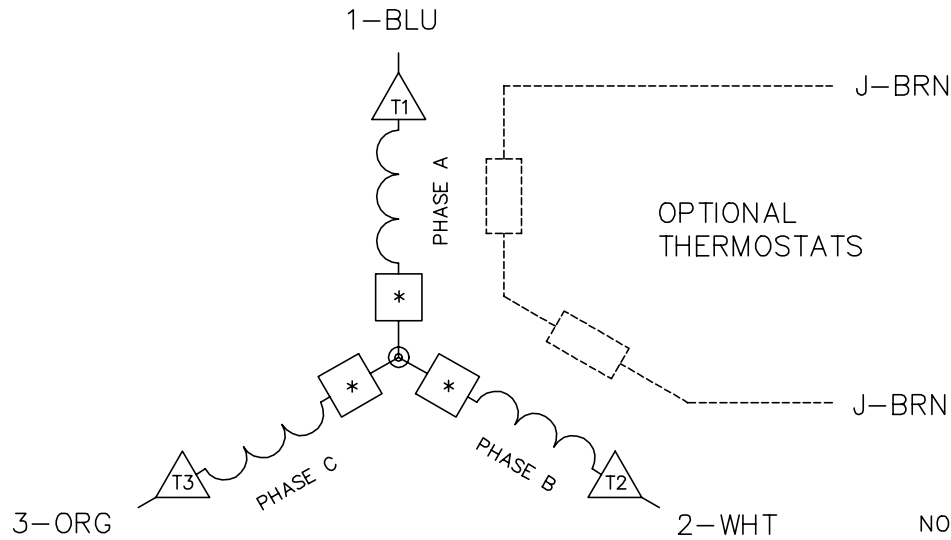
BALDOR

LY,25AC PSL EXR TEFC GP 2.000 KEYWAY



25E752W289G3

CD0006A16

TYPICAL WYE-CONNECTED MOTOR



NOTES:

1. THREE LEAD MOTOR MAY BE EITHER WYE CONNECTED OR DELTA CONNECTED.
2. INTERCHANGE ANY TWO LINE LEADS TO REVERSE ROTATION.
3. OPTIONAL THERMOSTATS ARE PROVIDED WHEN SPECIFIED.
4. ACTUAL NUMBER OF INTERNAL PARALLEL CIRCUITS MAY VARY.
5. LEAD COLORS ARE OPTIONAL. LEADS MUST BE NUMBERED AS SHOWN.
6.  = MAGNET WIRE COIL END WITH I.D. NUMBER.
 = MAGNET WIRE COIL END WITH I.D. SYMBOL.
7. REFERENCE CW PRINT FOR NEST TO NEST CROSSOVER CONNECTIONS.

CD0006A16

REV. DESC: REMOVE DELTA CONNECTION		
REV. LTR: C	VERSION: 03	TDR: 000000977108
FILE: \CKA\00024\426	REVISED: 09: 42: 02 08/16/2016	BY: CKPAUDO
MTL: -	© □	

BALDOR

3PH, SV, 3 LEADS, WYE CONNECTED, CK

SH 1 of 1