

BALDOR® • **RELIANCE**

Product Information Packet

CECP83584T-4

1.5HP, 1760RPM, 3PH, 60HZ, 145TC, 0530M, TEFC

Part Detail							
Revision:	X	Status:	PRD/A	Change #:		Proprietary:	No
Type:	AC	Elec. Spec:	05WG812	CD Diagram:	CD0006	Mfg Plant:	
Mech. Spec:	05E943	Layout:	05LYE943	Poles:	04	Created Date:	02-10-2009
Base:	RG	Eff. Date:	02-02-2017	Leads:	3#18		

Specs			
Catalog Number:	CECP83584T-4	Inverter Code:	Inverter Duty
Enclosure:	TEFC	KVA Code:	L
Frame:	145TC	Lifting Lugs:	Standard Lifting Lugs
Frame Material:	Iron	Locked Bearing Indicator:	Locked Bearing
Output @ Frequency:	1.500 HP @ 60 HZ	Motor Lead Quantity/Wire Size:	3 @ 18 AWG
Synchronous Speed @ Frequency:	1800 RPM @ 60 HZ	Motor Lead Exit:	Ko Box
Voltage @ Frequency:	460.0 V @ 60 HZ	Motor Lead Termination:	Flying Leads
XP Class and Group:	CLI GP A,B,C,D	Motor Type:	0530M
XP Division:	Division II	Mounting Arrangement:	F1
Agency Approvals:	UR	Power Factor:	76
	CSA EEV	Product Family:	Chem Process S/P 32-8 IEEE 841
	CSA	Pulley End Bearing Type:	Ball
Auxillary Box:	No Auxillary Box	Pulley Face Code:	Standard
Auxillary Box Lead Termination:	None	Pulley Shaft Indicator:	Standard
Base Indicator:	Rigid	Rodent Screen:	None
Bearing Grease Type:	Polyrex EM (-20F +300F)	Shaft Extension Location:	Pulley End
Blower:	None	Shaft Ground Indicator:	No Shaft Grounding
Constant Torque Speed Range:	1.3	Shaft Rotation:	Reversible

Current @ Voltage:	2.100 A @ 460.0 V	Shaft Slinger Indicator:	Shaft Slinger
Design Code:	B	Speed Code:	Single Speed
Drip Cover:	No Drip Cover	Motor Standards:	NEMA
Duty Rating:	CONT	Starting Method:	Direct on line
Electrically Isolated Bearing:	Not Electrically Isolated	Thermal Device - Bearing:	None
Feedback Device:	NO FEEDBACK	Thermal Device - Winding:	None
Front Face Code:	Standard	Vibration Sensor Indicator:	No Vibration Sensor
Front Shaft Indicator:	None	Winding Thermal 1:	None
Heater Indicator:	No Heater	Winding Thermal 2:	None
Insulation Class:	F	XP Temp Code:	T4

Nameplate NP3235E											
CAT.NO.	CECP83584T-4										
SPEC.	05E943W812G1										
HP	1.5	TE						IP	56		
VOLTS	460										
AMP	2.1										
RPM	1760										
FRAME	145TC					HZ	60				
SER.F.	1.15			CODE	L	DES	B			PH	3
RATING	40C AMB-CONT									CL	F
SN											
DE	6205					ODE	6205				
NEMA-NOM-EFF	88.5			PF	76						
G.MIN.EFF	86.5			CC	010A						
T. CODE	T4			T=	135						

Nameplate NP3186E			
SPEC.	05E943W812G1		
D.E. BRG.	25BC02X30X		
O.D.E. BRG.	25BC02X30X		
GREASE	POLYREX EM		
WEIGHT	62	# OF ROTOR BARS	28
RPM MAX	2700	MAX. KVAR	.47
BLANK			
INV.TYPE	PWM	# OF STATOR SLOTS	36
T=	135	C HP TO	90
C HP FR	60	CT HZ TO	60
CT HZ FROM	1.3	VT HZ TO	60
VT HZ FROM	0-	HTR-AMPS	N/A
HTR-VOLTS	N/A	MAX. SPACE HEATER TEMP.	N/A
HTR-WATTS			

AC Induction Motor Performance Data

Record # 47111 - Typical performance - not guaranteed values

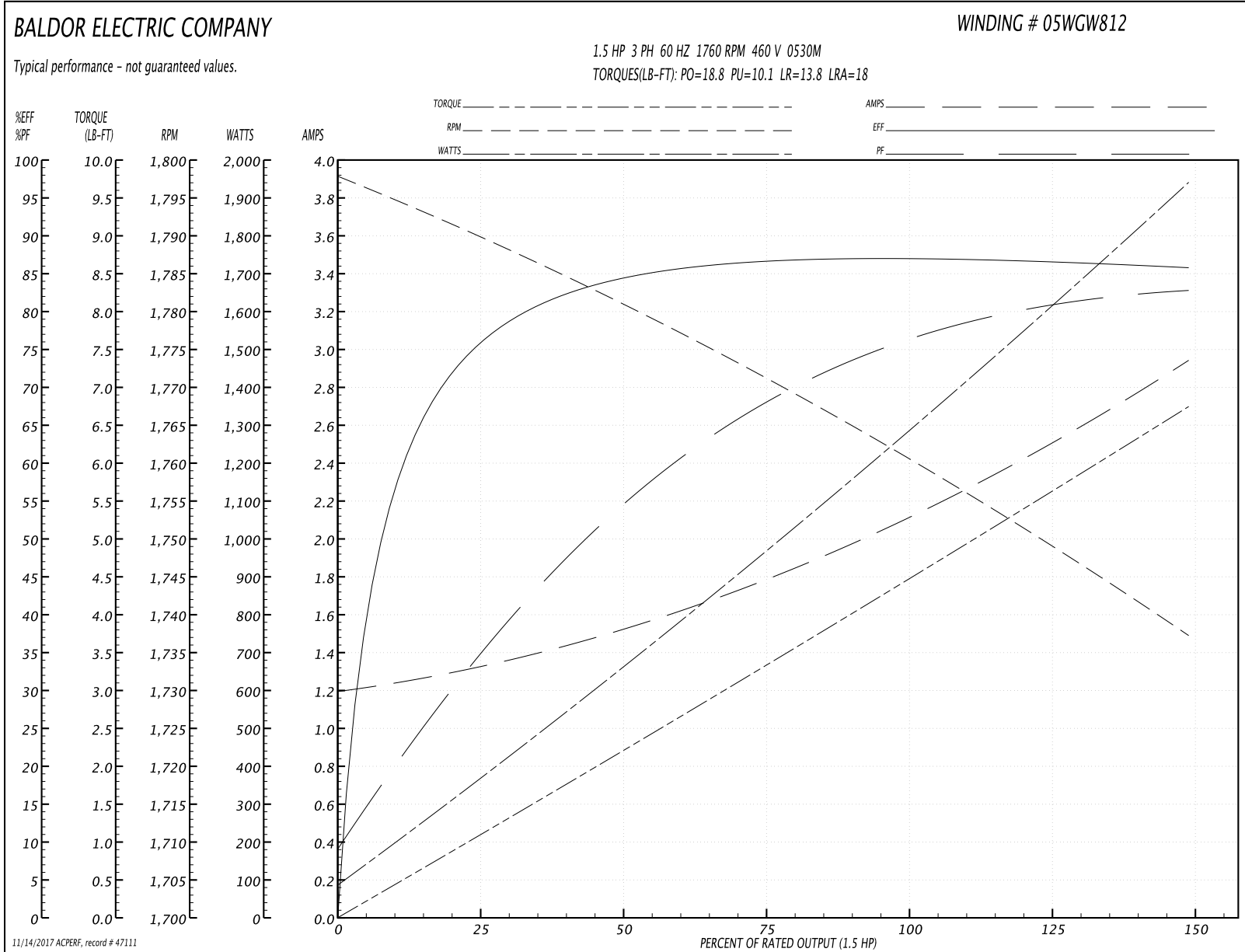
Winding: 05WGW812-R045	Type: 0530M	Enclosure: TEFC
-------------------------------	--------------------	------------------------

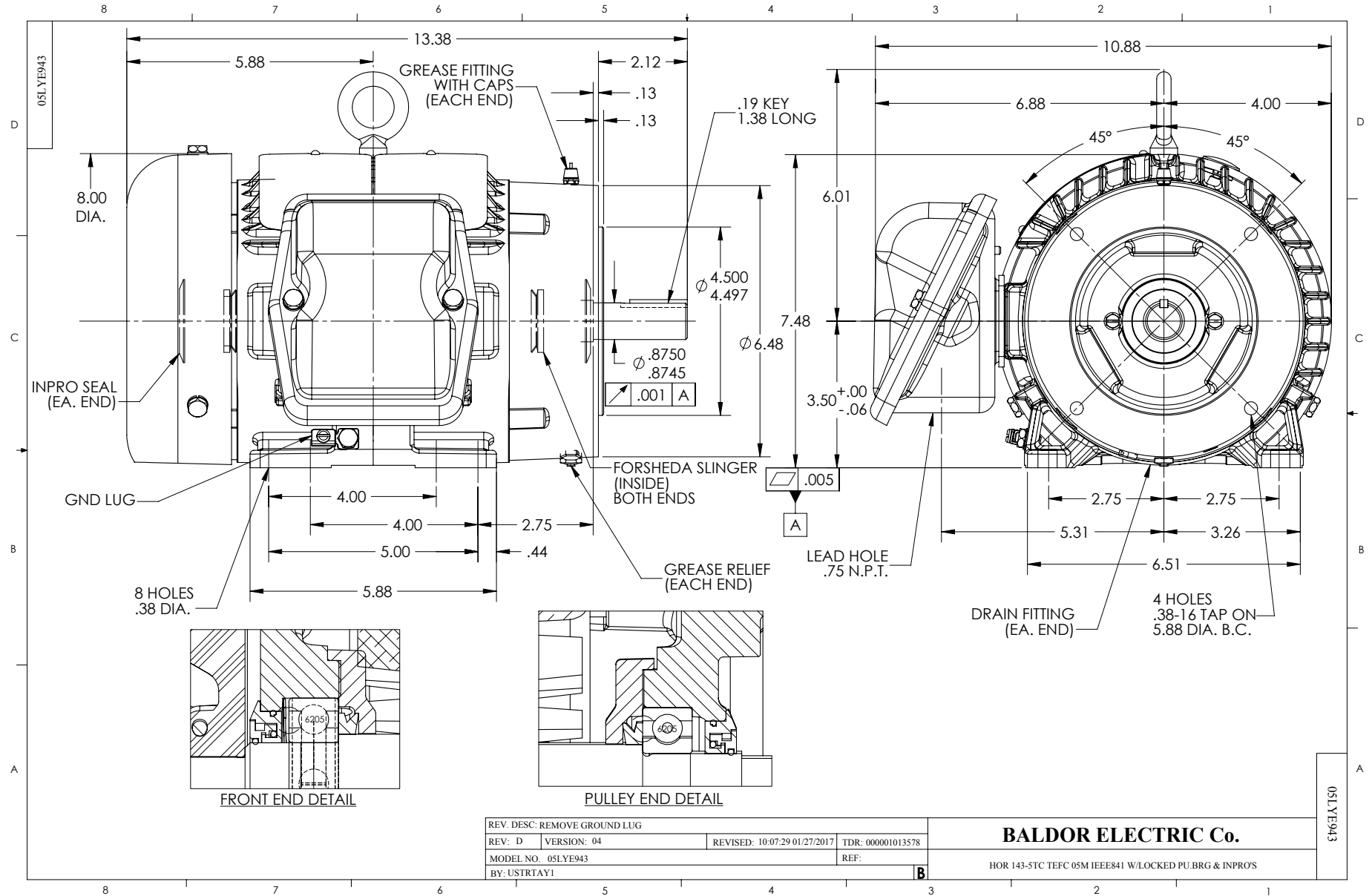
Nameplate Data				460 V, 60 Hz: Single Voltage Motor	
Rated Output (HP)	1.5			Full Load Torque	4.49 LB-FT
Volts	460			Start Configuration	direct on line
Full Load Amps	2.1			Breakdown Torque	18.8 LB-FT
R.P.M.	1760			Pull-up Torque	10.1 LB-FT
Hz	60	Phase	3	Locked-rotor Torque	13.8 LB-FT
NEMA Design Code	B	KVA Code	L	Starting Current	18 A
Service Factor (S.F.)	1.15			No-load Current	1.21 A
NEMA Nom. Eff.	88.5	Power Factor	76	Line-line Res. @ 25°C	9.17 Ω
Rating - Duty	40C AMB-CONT			Temp. Rise @ Rated Load	31°C
S.F. Amps				Temp. Rise @ S.F. Load	36°C
				Locked-rotor Power Factor	47.8
				Rotor inertia	0.177 LB-FT ²

Load Characteristics 460 V, 60 Hz, 1.5 HP

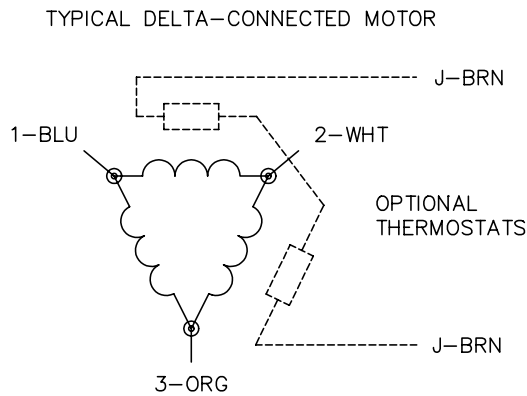
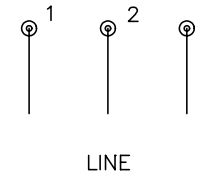
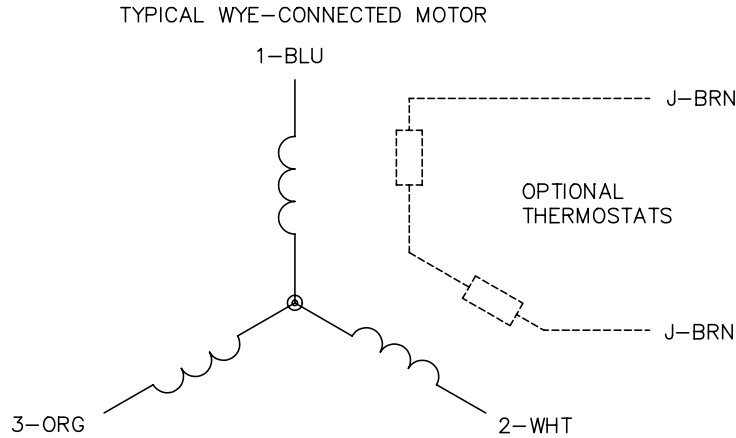
% of Rated Load	25	50	75	100	125	150	S.F.
Power Factor	35	55	67	76	80	83	78
Efficiency	74.7	84.1	86.3	87.5	86.8	85.7	88.3
Speed	1790	1781	1772	1760	1750	1737	1755
Line amperes	1.3	1.51	1.78	2.12	2.51	2.93	2.33

Performance Graph at 460V, 60Hz, 1.5HP Typical performance - Not guaranteed values





CD0006



NOTES:

1. THREE LEAD MOTOR MAY BE EITHER WYE CONNECTED OR DELTA CONNECTED.
2. INTERCHANGE ANY TWO LINE LEADS TO REVERSE ROTATION.
3. OPTIONAL THERMOSTATS ARE PROVIDED WHEN SPECIFIED.
4. ACTUAL NUMBER OF INTERNAL PARALLEL CIRCUITS MAY VARY.
5. LEAD COLORS ARE OPTIONAL. LEADS MUST BE NUMBERED AS SHOWN.

REV. DESC: REVISE TO SHOW OPTIONAL COLORS			
REV. LTR: D	BY: JLP	REVISED: 01/21/99 4:02	TDR: 0171435
9000D		FILE: AAA00005141	MDL: -
		MTL: -	

BALDOR ELECTRIC Co.

3PH, SV, 3 LEADS, WYE OR DELTA CONNECTED

CD0006