

BALDOR® • *RELIANCE*

Product Information Packet

CFDL3516TM

2HP,1740RPM,1PH,60HZ,56CHZ,3535LC,TEFC,F

Part Detail							
Revision:	F	Status:	PRD/A	Change #:		Proprietary:	No
Type:	AC	Elec. Spec:	35WGN499	CD Diagram:	CD0002A02	Mfg Plant:	
Mech. Spec:	35E2321	Layout:	35LYE2321	Poles:	04	Created Date:	12-02-2013
Base:	RG	Eff. Date:	09-10-2015	Leads:	2#16 A PH,3#18 B%J		

Specs			
Catalog Number:	CFDL3516TM	KVA Code:	H
Enclosure:	TEFC	Lifting Lugs:	No Lifting Lugs
Frame:	56CHZ	Locked Bearing Indicator:	Locked Bearing
Frame Material:	Steel	Motor Lead Quantity/Wire Size:	2 @ 16 AWG, A PH
Output @ Frequency:	2.000 HP @ 60 HZ	Motor Lead Exit:	Ko Box
Synchronous Speed @ Frequency:	1800 RPM @ 60 HZ	Motor Lead Termination:	Flying Leads
Voltage @ Frequency:	230.0 V @ 60 HZ	Motor Type:	3535LC
XP Class and Group:	None	Mounting Arrangement:	F1
XP Division:	Not Applicable	Power Factor:	99
Agency Approvals:	CSA	Product Family:	General Purpose
	UR	Product Type:	FARM DUTY
Auxillary Box:	No Auxillary Box	Pulley End Bearing Type:	Sealed Bearing
Auxillary Box Lead Termination:	None	Pulley Face Code:	C-Face
Base Indicator:	Rigid	Pulley Shaft Indicator:	Standard
Bearing Grease Type:	Polyrex EM (-20F +300F)	Rodent Screen:	None
Blower:	None	Shaft Extension Location:	Pulley End
Current @ Voltage:	7.900 A @ 230.0 V	Shaft Ground Indicator:	No Shaft Grounding
	8.900 A @ 208.0 V	Shaft Rotation:	Reversible

Design Code:	L	Shaft Slinger Indicator:	Shaft Slinger
Drip Cover:	No Drip Cover	Speed Code:	Single Speed
Duty Rating:	CONT	Motor Standards:	NEMA
Electrically Isolated Bearing:	Not Electrically Isolated	Starting Method:	Direct on line
Feedback Device:	NO FEEDBACK	Thermal Device - Bearing:	None
Front Face Code:	Standard	Thermal Device - Winding:	None
Front Shaft Indicator:	None	Vibration Sensor Indicator:	No Vibration Sensor
Heater Indicator:	No Heater	Winding Thermal 1:	Manual Thermal Overload
Insulation Class:	F	Winding Thermal 1 Location:	KO
Inverter Code:	Not Inverter	Winding Thermal 2:	None

Nameplate NP1280L										
CAT.NO.	CFDL3516TM									
SPEC.	35E2321N499G1									
HP	2									
VOLTS	230									
AMP	7.9									
RPM	1740									
FRAME	56CHZ			HZ	60			PH	1	
SER.F.	1.15			CODE	H		DES	L	CL	F
NEMA-NOM-EFF	82.5			PF	99					
RATING	40C AMB-CONT									
CC							USABLE AT 208V	8.9		
DE	6205			ODE	6203					
ENCL	TEFC			SN						

AC Induction Motor Performance Data

Record # 41679 - Typical performance - not guaranteed values

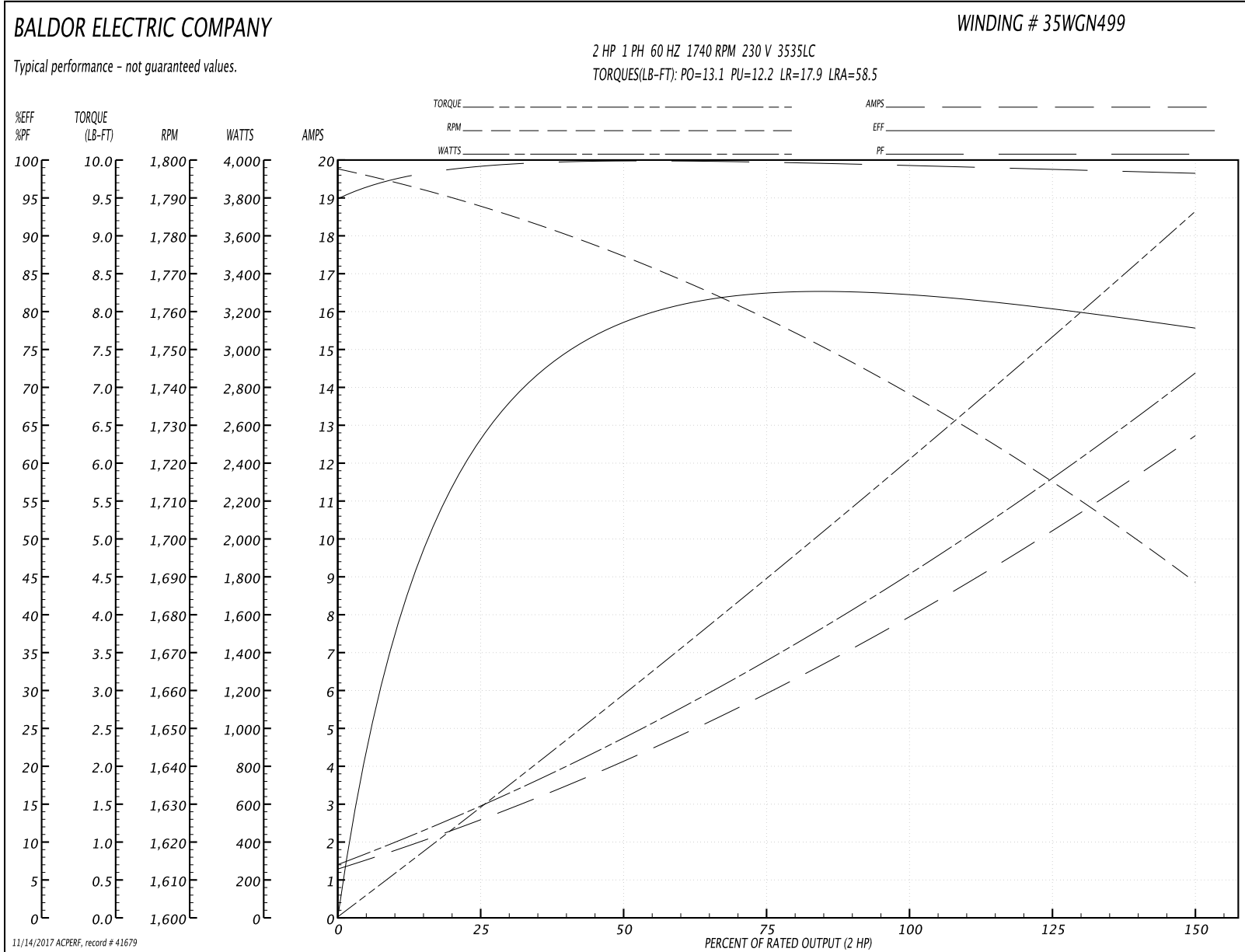
Winding: 35WGN499-R001	Type: 3535LC	Enclosure: TEFC
-------------------------------	---------------------	------------------------

Nameplate Data				230 V, 60 Hz: Single Voltage Motor	
Rated Output (HP)	2			Full Load Torque	6.04 LB-FT
Volts	230			Start Configuration	direct on line
Full Load Amps	7.9			Breakdown Torque	13.1 LB-FT
R.P.M.	1740			Pull-up Torque	12.2 LB-FT
Hz	60	Phase	1	Locked-rotor Torque	17.9 LB-FT
NEMA Design Code	L	KVA Code	H	Starting Current	58.5 A
Service Factor (S.F.)	1.15			No-load Current	1.22 A
NEMA Nom. Eff.	82.5	Power Factor	99	Line-line Res. @ 25°C	1.5935 Ω A Ph 3.2782 Ω B Ph
Rating - Duty	40C AMB-CONT			Temp. Rise @ Rated Load	75°C
S.F. Amps				Temp. Rise @ S.F. Load	93°C

Load Characteristics 230 V, 60 Hz, 2 HP

% of Rated Load	25	50	75	100	125	150	S.F.
Power Factor	99	100	100	99	99	98	99
Efficiency	61.1	77.4	82.1	83.1	81.2	77.3	82
Speed	1786.6	1773.4	1758.2	1739.3	1717.4	1687	1726
Line amperes	2.65	4.18	5.92	7.87	10.1	12.8	9.21

Performance Graph at 230V, 60Hz, 2.0HP Typical performance - Not guaranteed values



AC Induction Motor Performance Data

Record # 42038 - Typical performance - not guaranteed values

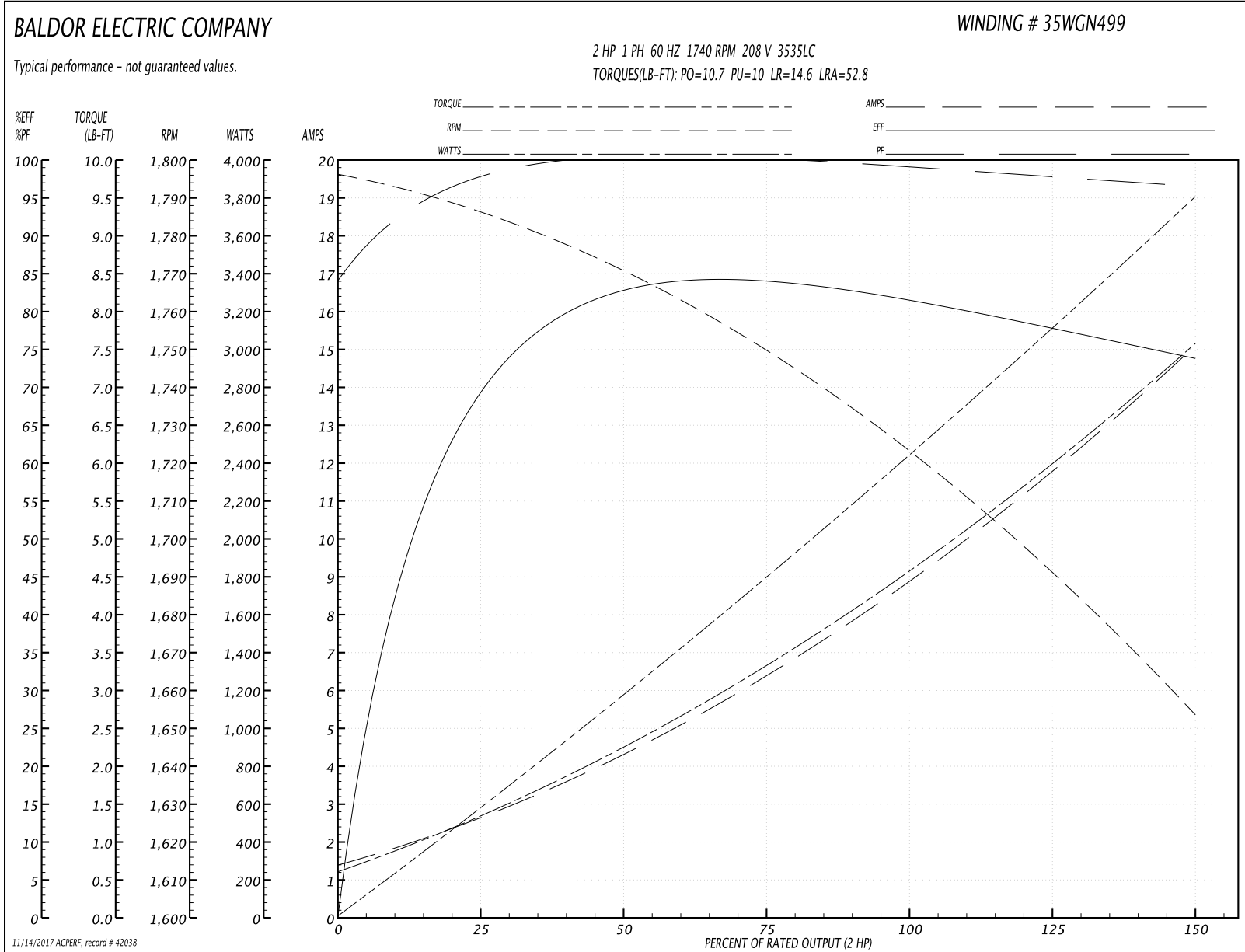
Winding: 35WGN499-R001	Type: 3535LC	Enclosure: TEFC
-------------------------------	---------------------	------------------------

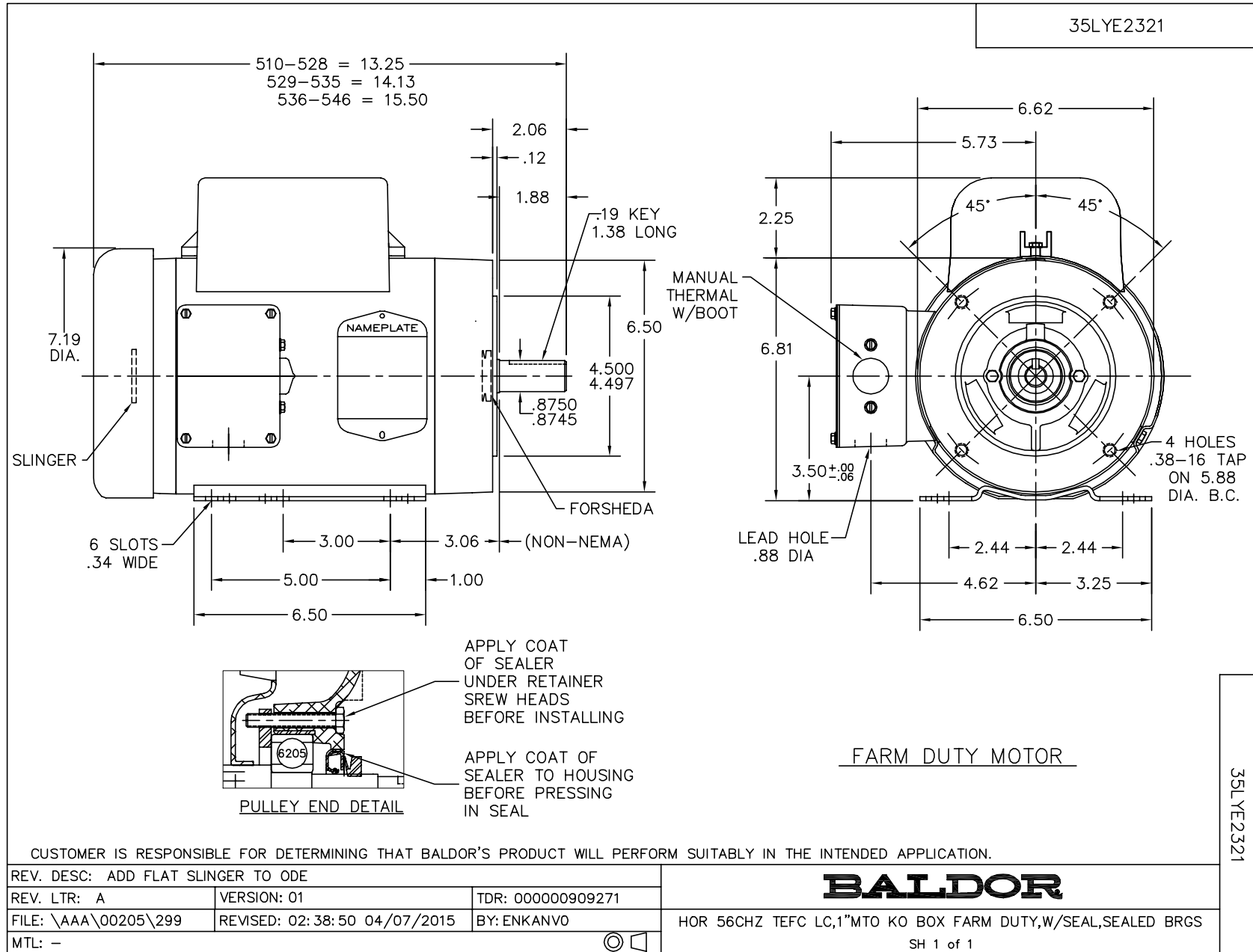
Nameplate Data				208 V, 60 Hz: Single Voltage Motor	
Rated Output (HP)	2			Full Load Torque	6.09 LB-FT
Volts	230			Start Configuration	direct on line
Full Load Amps	7.9			Breakdown Torque	10.7 LB-FT
R.P.M.	1740			Pull-up Torque	10 LB-FT
Hz	60	Phase	1	Locked-rotor Torque	14.6 LB-FT
NEMA Design Code	L	KVA Code	H	Starting Current	52.8 A
Service Factor (S.F.)	1			No-load Current	1.25 A
NEMA Nom. Eff.	82.5	Power Factor	99	Line-line Res. @ 25°C	1.62 Ω A Ph 3.25 Ω B Ph
Rating - Duty	40C AMB-CONT			Temp. Rise @ Rated Load	90°C

Load Characteristics 208 V, 60 Hz, 2 HP

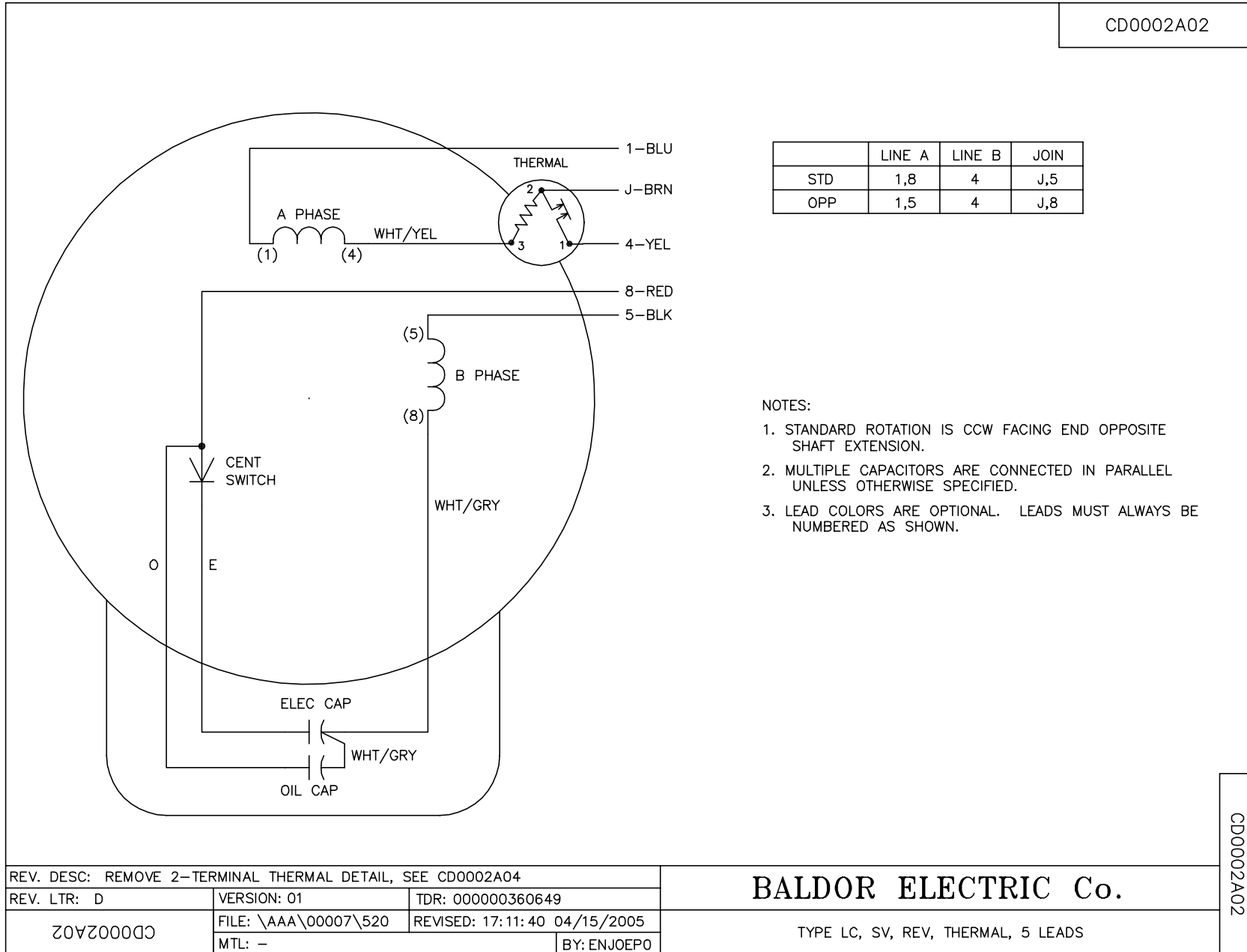
% of Rated Load	25	50	75	100	125	150
Power Factor	98	100	100	99	98	96
Efficiency	66	80.6	83.2	82.8	79.4	73
Speed	1784	1768	1749	1726	1696	1650
Line amperes	2.75	4.46	6.44	8.73	11.5	15.3

Performance Graph at 208V, 60Hz, 2.0HP Typical performance - Not guaranteed values





CD0002A02



REV. DESC: REMOVE 2-TERMINAL THERMAL DETAIL, SEE CD0002A04		
REV. LTR: D	VERSION: 01	TDR: 000000360649
Z0VZ000003 CD0002A02	FILE: \AAA\00007\520	REVISED: 17:11:40 04/15/2005
	MTL: -	BY: ENJOEPO

BALDOR ELECTRIC Co.

TYPE LC, SV, REV, THERMAL, 5 LEADS

CD0002A02