

CONTINUOUS HINGE WITH QUICK-RELEASE LATCH, TYPE 12

INDUSTRY STANDARDS

UL 50, 50E Listed; Type 12, 13; File No. E27567
 cUL Listed per CSA C22.2 No. 94; Type 12, 13; File No. E27567
 UL 508A Listed; Type 12, 13; File No. E61997
 cUL Listed per CSA C22.2 No. 94; Type 12, 13; File No. E61997

NEMA Type 12 and 13
 IEC 60529, IP65

APPLICATION

A continuous hinge door with quick-release flip latches provides convenient access to enclosed components in a wide variety of applications.

SPECIFICATIONS

- 16 or 14 gauge steel
- Seams continuously welded and ground smooth
- Continuous hinge
- Bonding provision on door
- Quick-release latches
- External welded-on mounting brackets for easy installation
- Oil-resistant gasket
- Weldnuts provided for mounting optional panels and terminal block kits

FINISH

ANSI 61 gray polyester powder paint inside and out

ACCESSORIES

Panels for Junction Boxes
 Junction Box and Wall-Mount Enclosure Swing Out Panel Kit
 Terminal Block Kit Assembly for Junction Boxes
 Steel and Stainless Steel Window Kits

MODIFICATION AND CUSTOMIZATION

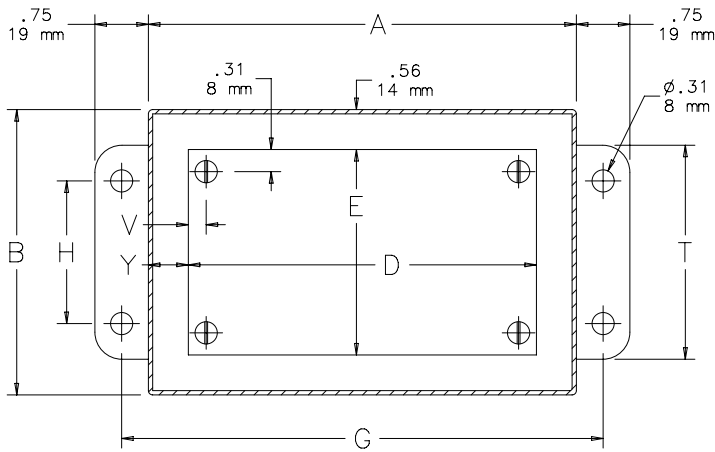
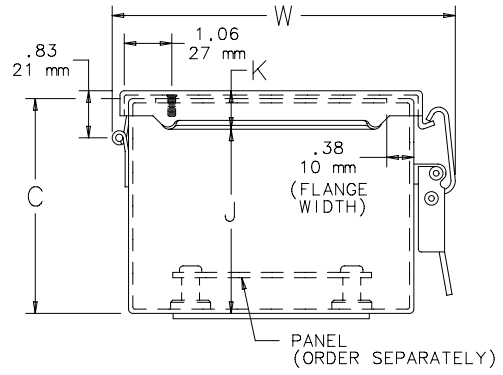
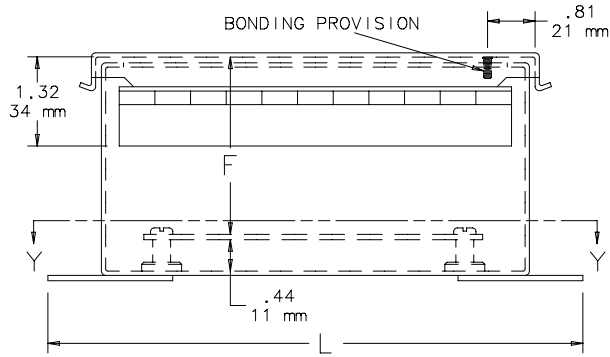
Hoffman excels at modifying and customizing products to your specifications. Contact your local Hoffman sales office or distributor for complete information.

BULLETIN: A51

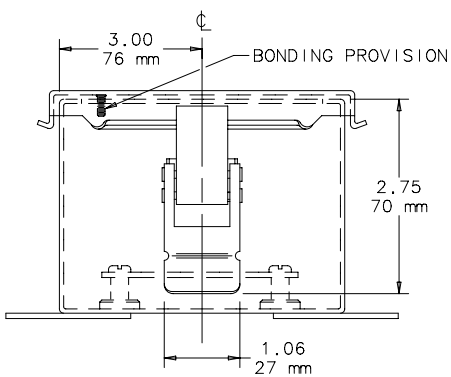
Standard Product

Catalog Number	AxBxC in./mm	Gauge	UL Listed	Panel	Conductive Panel	Panel Size D x E in./mm	Mounting G x H in./mm	Overall L x W in./mm	F in./mm	J in./mm	K in./mm	T in./mm	V in./mm	Y in./mm
A604CHQR	6.00 x 4.00 x 3.00	16	508A	A6P4	A6P4G	4.88 x 2.88	6.75 x 2.00	7.50 x 4.81	2.53	2.62	0.54	3.00	0.31	0.56
	152 x 102 x 76					171 x 51	191 x 122	64	66	14	76	8	14	
A806CHQR	8.00 x 6.00 x 3.50	14	50, 50E	A8P6	A8P6G	6.75 x 4.88	8.75 x 4.00	9.51 x 6.81	3.03	3.12	0.56	5.00	0.25	0.62
	203 x 152 x 89					222 x 102	241 x 173	77	79	14	127	6	16	
A606CHQR	6.00 x 6.00 x 4.00	16	50, 50E	A6P6	A6P6G	4.88 x 4.88	6.75 x 4.00	7.50 x 6.81	3.53	3.62	0.54	5.00	0.31	0.56
	152 x 152 x 102					171 x 102	191 x 173	90	92	14	127	8	14	
A1008CHQR	10.00 x 8.00 x 4.00	14	50, 50E	A10P8	A10P8G	8.75 x 6.88	10.75 x 6.00	11.50 x 8.81	3.53	3.62	0.56	7.00	0.25	0.62
	254 x 203 x 102					273 x 152	292 x 224	90	92	14	178	6	16	
A1210CHQR	12.00 x 10.00 x 5.00	14	50, 50E	A12P10	A12P10G	10.75 x 8.88	12.75 x 8.00	13.50 x 10.81	4.53	4.62	0.56	9.00	0.25	0.62
	305 x 254 x 127					324 x 203	343 x 275	115	117	14	229	6	16	
A1412CHQR	14.00 x 12.00 x 6.00	14	50, 50E	A14P12	A14P12G	12.75 x 10.88	14.75 x 10.00	15.50 x 12.81	5.53	5.62	0.56	11.00	0.25	0.62
	356 x 305 x 152					375 x 254	394 x 325	140	143	14	279	6	16	
A1614CHQR	16.00 x 14.00 x 6.00	14	50, 50E	A16P14	A16P14G	14.75 x 12.88	16.75 x 12.00	17.50 x 14.81	5.53	5.62	0.56	13.00	0.25	0.62
	406 x 356 x 152					425 x 305	445 x 376	140	143	14	330	6	16	

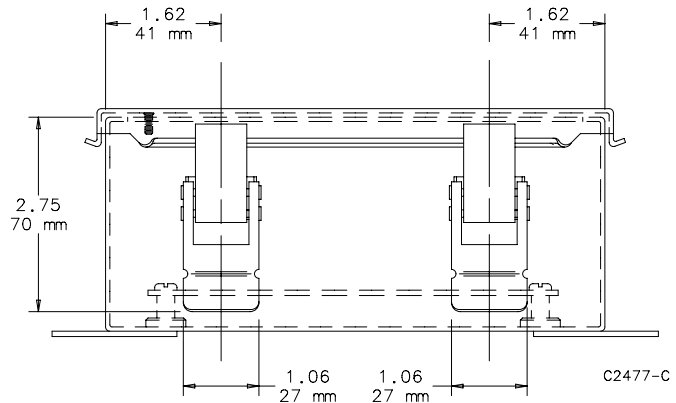
Purchase panels separately. Optional stainless steel, conductive, composite and aluminum panels are available for most sizes.



SECTION Y-Y



$A \leq 8.00$ (203mm)



$A \geq 8.00$ (203mm)