

# Pro

## ProMax Versa/nm



### FEATURES

- Fluorescent system provides energy savings up to 50% when compared to HID.
- Third party certified for operation in high ambient temperatures, up to 65°C (149°F).
- Multi voltage electronic ballast resistant to brownouts or voltage and frequency fluctuations.
- Continuous form-in-place closed cell gasket and field replaceable lens.
- Feed-through design or optional pendant hub design.
- USDA compliant materials.
- Meets Canadian Processed Products Regulations C.R.C. c291.
- Full steel interior channel assembly reinforces hub entry and provides continuous ground.
- Optional self contained emergency battery backup ballasts.

### APPLICATIONS

- Mid & low bay
- Wet environments
- Food & beverage processing facilities
- Waste water treatment plants
- Storage areas

### APPROVALS

- Enclosed & Gasketed
- Type 3R
- NSF

### STANDARDS

- UL 1598 - Luminaires
- UL 924 - Emergency Lighting Equipment
- CSA - C22.2 250 04
- Canadian Processed Products Regulations C.R.C. c291
- CSA - C22.2 141
- NSF/ANSI 2-2007 Splash Zone

### TECHNICAL SPECIFICATIONS

#### HOUSING

Fiberglass reinforced polyester.

#### LENS

Matte acrylic. Optional matte polycarbonate.

#### REFLECTOR

Steel with a white gloss finish.

#### GASKET

Permanently mounted closed cell neoprene.

#### MOUNTING

Various stainless steel mounting options.

#### LATCHES

Non-metallic. Optional stainless steel.

#### LAMP HOLDERS

Spring loaded on HO models. Industrial grade high temperature PBT locking sockets on RS models.

#### ENTRIES

Feed-through clearance holes with two 1/2" NPT hubs, one on each end.

#### LAMP TYPES

See ORDERING REFERENCES. Lamps not provided.

#### BALLAST

120 to 277 volt 50/60Hz electronic.

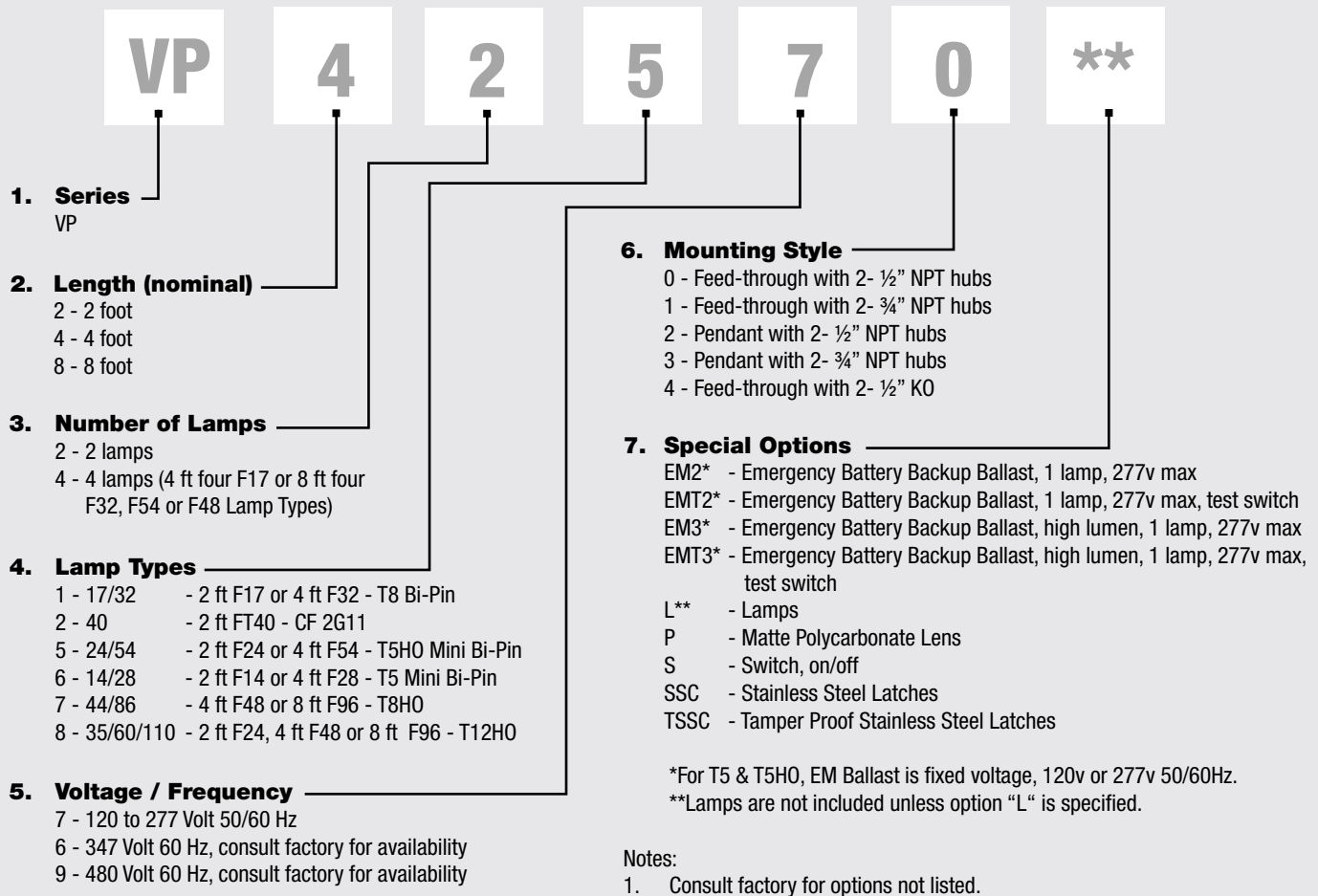
Lamp Wattage	Ballast/Socket Type	ANSI Lamp Code	Starting Temp	Maximum Ambient*	Supply Wire
17	T8 Bi-Pin G13	F17-T8	0°F / -18°C	55°C	90°C
32	T8 Bi-Pin G13	F32-T8	-20°F / -29°C	55°C	90°C
40	4 Pin 2G11	FT40-CF	0°F / -18°C	40°C	90°C
24/54	T5HO Mini Bi-Pin G5	F24/F54-T5HO	-20°F / -29°C	55°C	90°C
14/28	T5 Mini Bi-Pin G5	F14/F28-T5	0°F / -18°C	55°C	90°C
44/86	T8HO RDC R17d	F48/F96-T8HO	-20°F / -29°C	40°C	90°C
35/60/110	T12HO RDC R17d	F24/F48/F96-T12HO	-20°F / -29°C	40°C	90°C

\*Consult factory for optional higher ambient models.

#### EMERGENCY BATTERY BACKUP BALLAST

Optional, self contained 90 minute minimum for all lamp types. 120 minutes minimum for F32T8 one lamp. Starting temperature 32°F/0°C.

## ORDERING REFERENCES

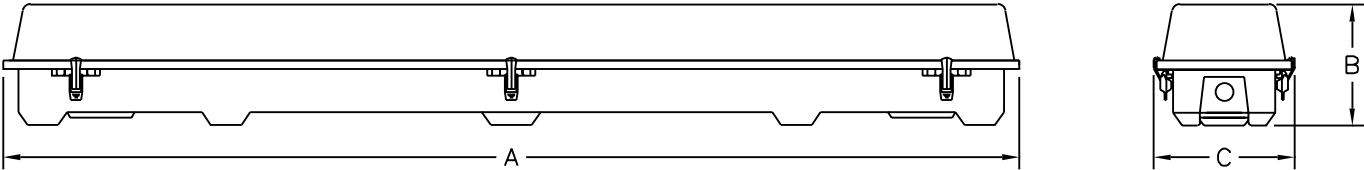


## SPARE PARTS

Part No.	Description
FX5350	BALLAST 120-277V 60HZ, 2 x 14, F14T5
FX5350	BALLAST 120-277V 60HZ, 2 x 28, F28T5
FX5307	BALLAST 120-277V 60HZ, 2 x 24, F24T5HO
FX5305	BALLAST 120-277V 60HZ, 2 x 54, F54T5HO
FX5340	BALLAST 120-277V 60HZ, 2 x 17, F17T8
FX5340	BALLAST 120-277V 60HZ, 2 x 32, F32T8
FX5349	BALLAST 120-277V 60HZ, 2 x 44, F48T8HO
FX5369	BALLAST 120-277V 60HZ, 2 x 86, F96T8HO
FX5334	BALLAST 120-277V 60HZ, 2 x 35, F24T12HO
FX5338	BALLAST 120-277V 60HZ, 2 x 60, F48T12HO
FX5338	BALLAST 120-277V 60HZ, 2 x 110 F96T12HO
FX5272	BALLAST 120-277V 60HZ, 2 x 40 CF, FT40 2G11
FX5135U	EMERGENCY BATTERY BACKUP BALLAST, EM2/EMT2, 120-277V for CF, T8, T12 & T12HO
FX5195U	EMERGENCY BATTERY BACKUP BALLAST, EM3/EMT3, 120-277V for CF, T8, T12 & T12HO
FX5316	EMERGENCY BATTERY BACKUP BALLAST, EMT2, 120-277V for T5 & T5HO
FX5316	EMERGENCY BATTERY BACKUP BALLAST, EMT3, 120-277V for T5 & T5HO
FX3573	LAMP, 14w, F14T5
FX3574	LAMP, 28w, F28T5
FX3568	LAMP, 24w, F24T5HO
FX3567	LAMP, 54w, F54T5HO
FX3528	LAMP, 17w, F17T8
FX3527	LAMP, 32w, F32T8
FX3565	LAMP, 44w, F48T8HO
FX3566	LAMP, 86w, F96T8HO
FX3507	LAMP, 35w, F24T12HO
FX3505	LAMP, 60w, F48T12HO
FX3523	LAMP, 110w, F96T12HO
FX3533	LAMP, 40w CF, FT40 2G11
008-4000	LENS, deep acrylic, 4 ft, HO model
008-8000	LENS, deep acrylic, 8 ft models
008-4100	LENS, shallow acrylic, 4 ft model, except HO
008-2100	LENS, shallow acrylic, 2 ft models
758-0700	LAMP HOLDER, RDC, fixed for HO models
758-0701	LAMP HOLDER, RDC, spring loaded for HO models
754-8701	LAMP HOLDER, Bi-Pin, T8 / T12 models
752-6050	LAMP HOLDER, 2G11 CF models
758-0005	LAMP HOLDER, T5 Fixed & Spring set
752-5766	LAMP SUPPORT, 2G11 CF models
755-0314	LAMP HOLDER, Single Pin, fixed
755-0315	LAMP HOLDER, Single Pin, spring loaded
008-0601	LENS LATCHES, non-metallic
360-0500	HUB, standard 1/2" NPT
350-0500	PLUG, standard 1/2" NPT

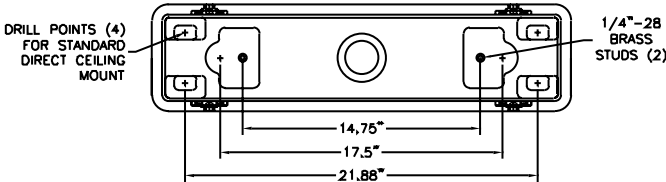
# ProMax Versa/nm

## DIMENSIONS

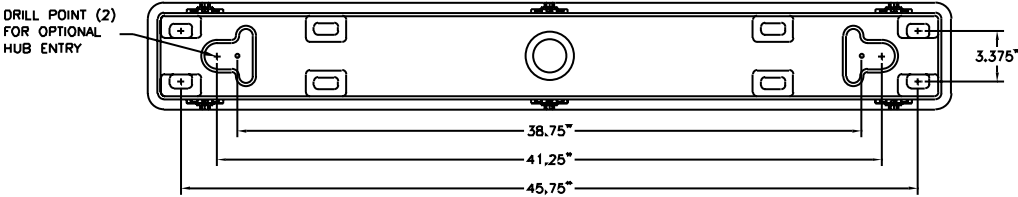


Nominal Length	Dimensions in Inches / Centimeters			Carton L x W x D Inches	Nominal Weight	
	A	B	C		Lbs	Kg
2 Foot Models	25.8 / 65.6	5.0 / 12.7	7.0 / 17.78	8¾ x 6¼ x 31⅞	8.5	3.9
4 Foot T5 & T8 Models	49.81 / 126.5	5.0 / 12.7	7.0 / 17.78	8½ x 6 x 56⅞	12.0	5.4
4 Foot H0 Models	49.81 / 126.5	5.4 / 13.72	7.0 / 17.78	8½ x 6 x 56⅞	16.0	7.3
8 Foot Models	97.81 / 248.4	5.4 / 13.72	7.0 / 17.78	8 x 8 x 99¼	32.0	14.5

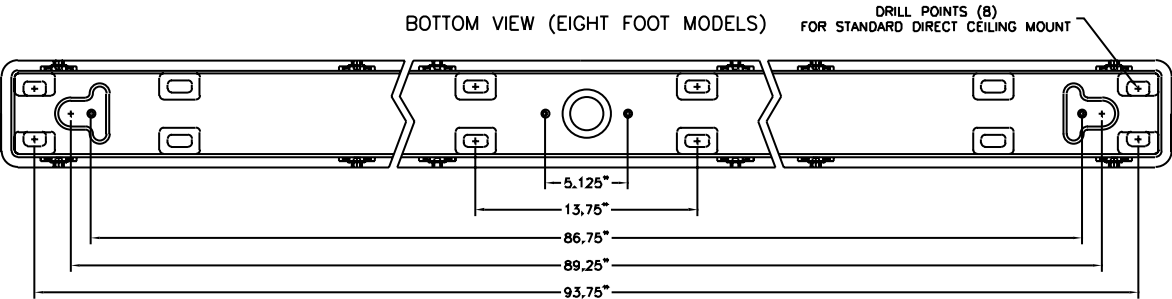
BOTTOM VIEW (TWO FOOT MODELS)



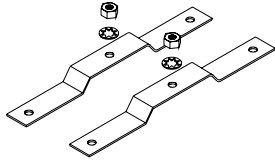
BOTTOM VIEW (FOUR FOOT MODELS)



BOTTOM VIEW (EIGHT FOOT MODELS)

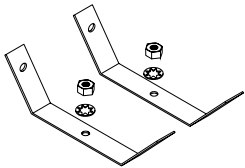
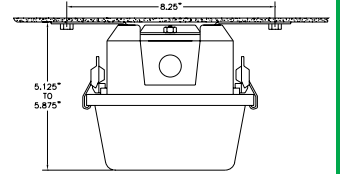
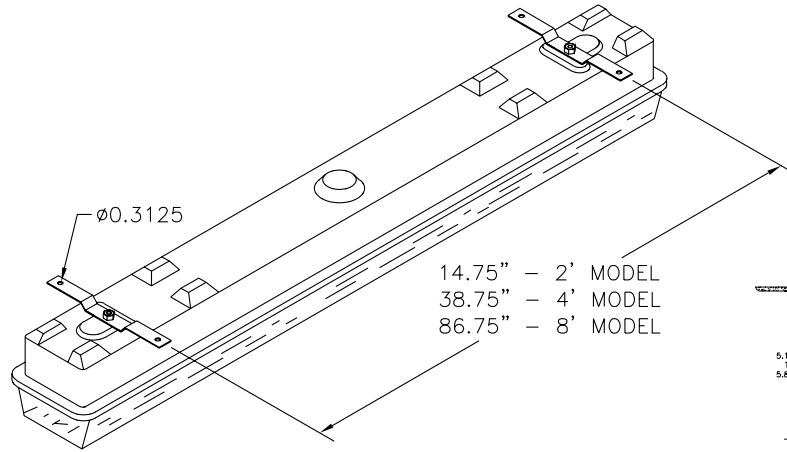


## MOUNTING OPTIONS



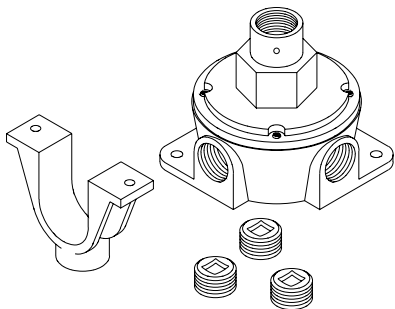
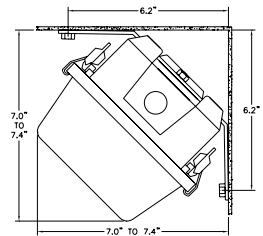
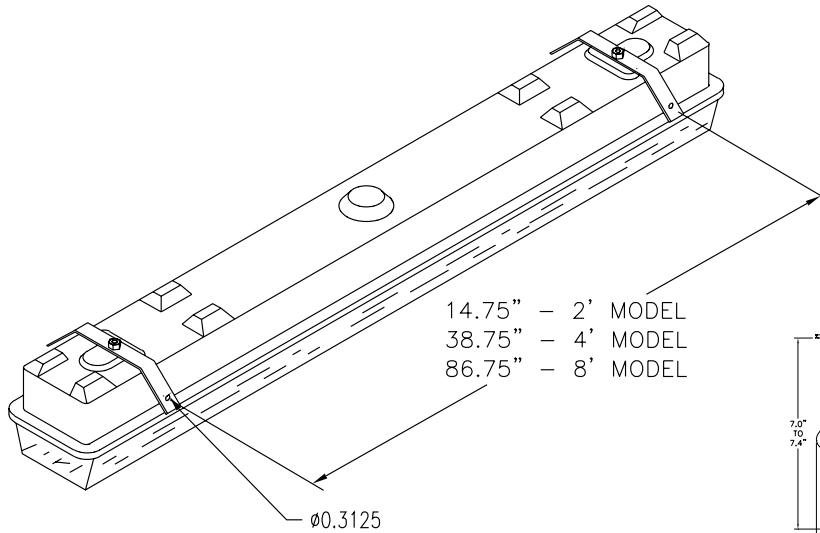
### VP1091MTK

Fixed ceiling / wall mounting kit.  
2 stainless steel brackets & hardware  
to mount brackets to fixture.



### VP1093MTK

Fixed corner mounting kit.  
2 stainless steel brackets & hardware  
to mount brackets to fixture.



### HP1095MTK

Pendant mounting kit.  
1 saddle strap and 1 universal junction box & pendant  
cover ( $\frac{3}{4}$ " NPT).

