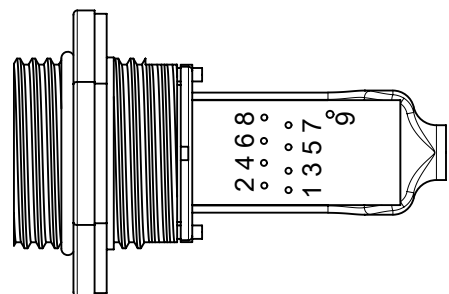


MATERIAL NO.	ENGINEERING NO.	LENGTH	TOLERANCE
1300550002	ENSP1F5C305	30.5 CM (1.0 FT)	+1.9 -0 CM (+.75 -0 IN)
1300550003	ENSP1F5C305-V	30.5 CM (1.0 FT)	+1.9 -0 CM (+.75 -0 IN)
1300550004	ENSP1F5M006	0.6 M (1.97 FT)	+4.4 -0 CM (+1.75 -0 IN)
1300550005	ENSP1F5M010	1.0 M (3.28 FT)	+5.6 -0 CM (+2.19 -0 IN)
1300550006	ENSP1F5M010-V	1.0 M (3.28 FT)	+5.6 -0 CM (+2.19 -0 IN)
1300558010	ENSP1F5C110	11.0 CM (.35 FT)	+1.9 -0 CM (+.75 -0 IN)

WIRE LIST
PIN (SAME FOR BOTH CONNECTORS)

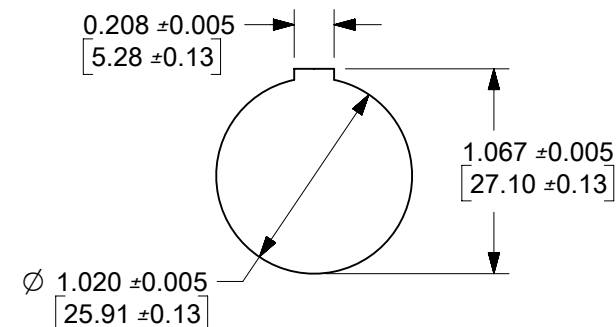
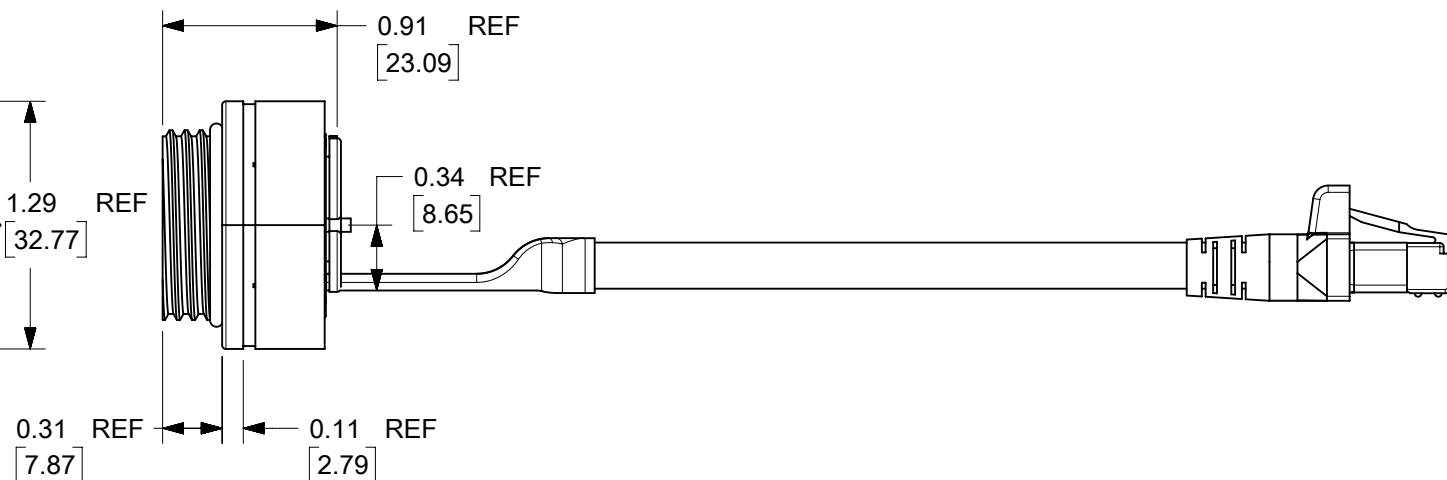
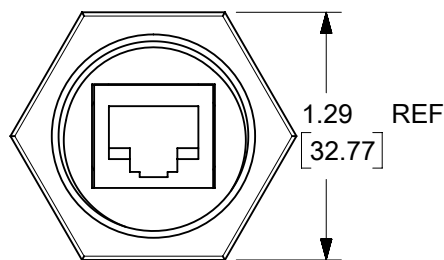
- 1 - WHT/BLU
- 2 - BLUE
- 3 - WHT/ORG
- 4 - GREEN
- 5 - WHT/GRN
- 6 - ORG
- 7 - WHT/BRN
- 8 - BRN
- 9 - GND



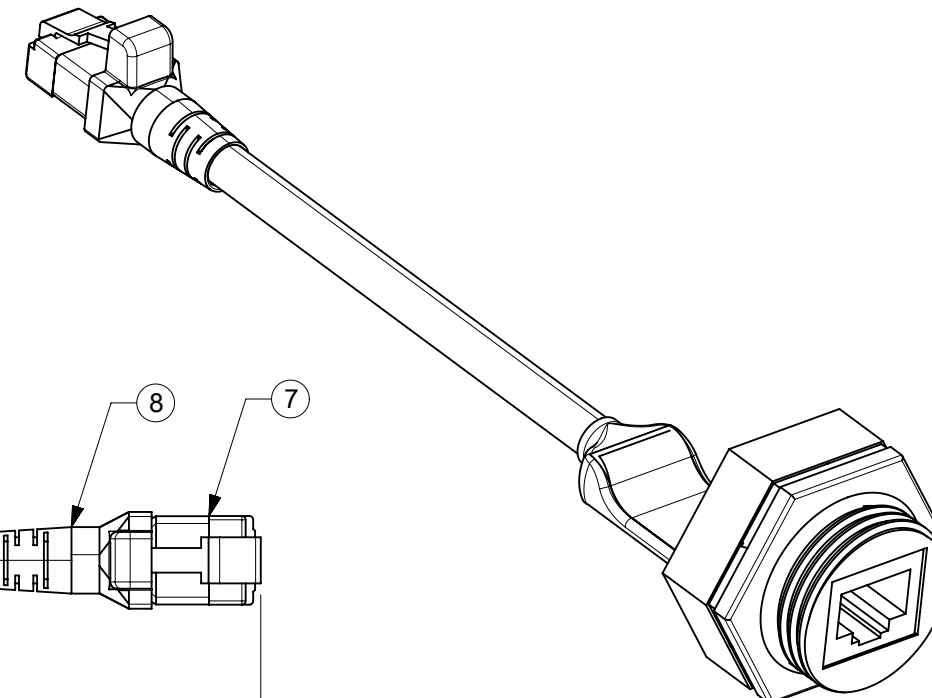
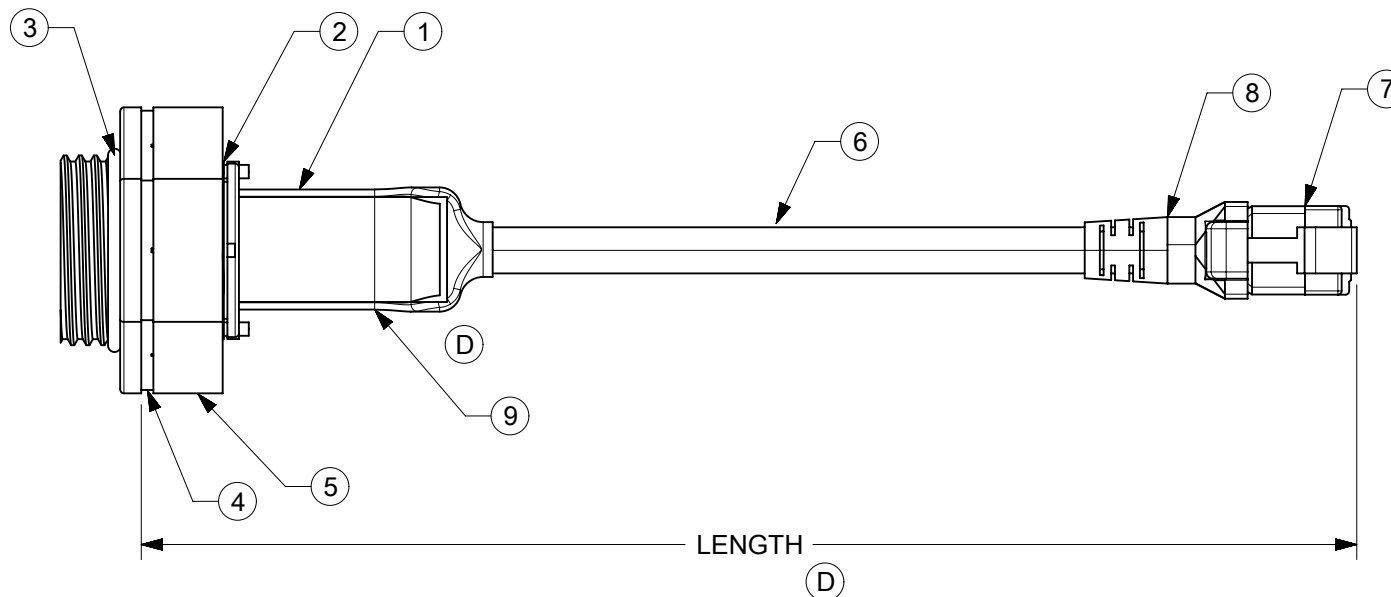
WIRING DIAGRAM
TOP VIEW OF PCB

NOTES:

- 1) MATERIAL: SEE TABLE
- 2) FINISHES: SEE TABLE
- 3) LABEL IS MARKED WITH P/N, BARCODE, DESCRIPTION
- 4) ELECTRICAL DATA:
WIRING TO PCB: 8 THRU HOLES, PLUS SHIELD
MAX VOLTAGE: 125V DC
MAX CURRENT: 1.5A
PROTECTION: IP67
TEMP RANGE: -20°C TO 80°C
CSA & UL
- 5) PACKAGING:
ASSEMBLIES ARE BAGGED SPERATELY
IN POLY BAGS WITH BAR CODE LABEL ATTACHED
TO OUTSIDE OF BAG.
- 6) ASSEMBLY IS ROHS COMPLIANT
- 7) COUPLING THREAD: 1-14UNS



SUGGESTED PANEL CUT OUT
PANEL THK: .125 MAX W/GASKET
.187 MAX W/OUT GASKET
.062 MIN



ITEM	DESCRIPTION	MATERIAL	FINISH
9	HEAT SHRINK	POLYOLEFIN	BLACK
8	BOOT HOOD	POLYOLEFIN	BLACK
7	RJ45 PLUG 8 POS	-	-
6	CABLE 4T/P 26AWG 5e	PVC	BLACK
5	HEX NUT	LNP	BLACK
4	BULKHEAD GASKET	NITRILE	BLACK
3	O RING	VITON	BROWN
2	HOUSING	ABS	BLACK
1	RJ45 W/PCB SUB ASSY.	-	-

DOCUMENT STATUS	P1	RELEASE DATE	2019/06/12	23:02:27
-----------------	----	--------------	------------	----------

SYMBOLS	THIS DRAWING CONTAINS INFORMATION THAT IS PROPRIETARY TO MOLEX ELECTRONIC TECHNOLOGIES, LLC AND SHOULD NOT BE USED WITHOUT WRITTEN PERMISSION	
	DIMENSION UNITS	SCALE
▽ = 0	HYBRID	1:1
▽ = 0	GENERAL TOLERANCES (UNLESS SPECIFIED)	
▽ = 0	ANGULAR TOL ± 0.5°	
▽ = 0	4 PLACES ±	
▽ = 0	3 PLACES ±	
▽ = 0	2 PLACES ±	
▽ = 0	1 PLACE ±	
▽ = 0	0 PLACES ±	
■ = 0	DRAFT WHERE APPLICABLE MUST REMAIN WITHIN DIMENSIONS	
▽ = 0	THIRD ANGLE PROJECTION	DRAWING
CURRENT REV DESC: UPDATE DIM		
EC NO: 618275		
DRWN: CCHRSTKA 2019/05/15		
CHK'D: MZIELINSKI 2019/06/06		
APPR: BWOODMAN 2019/06/12		
INITIAL REVISION:		
DRWN: BRUPERT 2009/04/22		
APPR: JFMURPHY 2009/04/22		
molex		
ENET FR/MP PASS 10T SHD		
PRODUCT CUSTOMER DRAWING		
DOCUMENT NUMBER	DOC TYPE	DOC PART
SD-130055-002	PSD	001
MATERIAL NUMBER	CUSTOMER	SHEET NUMBER
SEE TABLE	GENERAL MARKET	1 OF 1