



**FEATURES**

- 4¼" deep fluorescent troffer eliminates lens shadowing
- Lamp-to-lens spacing is over 2"
- Contoured housing maximizes photometric performance with uniform lens brightness
- Mitered corners on door present a clean uninterrupted appearance
- Rolled edge housing on all four sides makes the fixture safer and easier to handle
- Heavy duty door frame enhances appearance from eye level
- Snug door fit eliminates light leaks
- Recessed, surface or cable mount
- UL listed 1598

**PROJECT INFORMATION**

Project Name \_\_\_\_\_

Type \_\_\_\_\_

Catalog No. \_\_\_\_\_

Date \_\_\_\_\_

**CONSTRUCTION**

Housing is constructed of heavy gauge steel, die formed for extra rigidity. Standard flush door is formed steel with mitered corners. Doors are retained by cam action latches, are easily removed without tools, and hinge from either side. Regressed or flush aluminum doors with mitered corners are also available. End caps are hinged and screwed to the housing for extra rigidity. Four integral T-bar clips are located in the end caps. Wireway accessible from below for upgrades or maintenance.

**SHIELDING**

Standard lens is a 100% prismatic virgin pattern 12. Other shielding may be specified. If desired shielding media is not shown in ordering guide, contact your local Hubbell Lighting representative.

**BALLAST & ELECTRICAL**

All luminaires are completely wired with class "P," thermally protected, resetting, HPF ballast, sound rated A. Lampholders are medium bi-pin with positive retention. Furnished with an access plate. CEE NEMA Premium compliant.

**CERTIFICATION**

Designed for recessed installation in standard inverted tee grid ceilings (G), recessed installation in hard ceilings (G with FK accessory), Surface mount at ceiling plane (SM) or cable mount suspension below ceiling plane (CM). For compatibility with specific ceilings contact your Hubbell Lighting representative.

**CERTIFICATION**

All luminaires are built to UL 1598 standards and bear appropriate UL and cUL or CSA labels. Damp location labeling is standard. Emergency-equipped fixtures labeled UL 924.

**FINISH**

All metal parts processed with a multi-stage phosphate bonding treatment and finished with a high reflectance baked white enamel. For a post painted housing finish suffix catalog number with PAF.

**ORDERING INFORMATION**

**EXAMPLE 4PS24-432G-FSA12-EU-PAF**

<b>4PS</b>	<b>24</b>	-	-	-	-
<b>MODEL</b>	<b>NO. OF LAMPS</b>	<b>CEILING TYPE</b>	<b>SHIELDING</b>	<b>VOLTAGE</b>	<b>OPTIONS</b>
<b>4PS</b> Specification Grade Static Troffer	<b>4</b> Four <b>6</b> Six	<b>G</b> Inverted T-bar (std.) <b>F</b> Overlap Flange (4½" overall fixture height) <b>M</b> Fit-in Flange (4½" overall fixture height) <b>SM</b> Surface Mount <b>CM</b> Cable Mount <sup>1</sup>	<b>A12</b> Acrylic Prismatic Pattern 12 <b>A19</b> Acrylic Prismatic Pattern 19 <b>PC1</b> ½" x ½" x ½" Specular Silver Polystyrene Louver <b>PC2</b> 1½" x 1½" x 1" Specular Silver Polystyrene Louver  For thicker lens, specify - Example: A12125	<b>U</b> 120V-277V <b>347</b> 347V	<b>F835</b> 35K 80CRI T8 Lamps Installed <b>F0835</b> 35K 82CRI T8 Lamps Installed <b>F5835</b> 35K 85CRI T5 Lamps Installed <b>GLR</b> Fast Blow Fuse <b>EL</b> Emergency Battery Pack <b>EL5</b> Emergency Battery Pack, T5 or T5HO <b>PAF</b> Paint After Fabrication <b>SLL</b> Spring Loaded Latches <b>MS9</b> Master/Satellite Pair w/9' Harness <b>EOR</b> End of Row (SM/CM only) <sup>2</sup> <b>INT</b> Intermediate (SM/CM only) <sup>2</sup> <b>CP</b> Chicago Plenum
<b>SIZE</b>	<b>LAMP TYPE</b>	<b>DOOR STYLE</b>	<b>BALLAST</b>		
<b>24</b> 2' x 4'	<b>28</b> 4', T5: 28 Watt <b>32</b> 4', T8: 32, 30, 28 or 25 Watt <b>54</b> 4', T5HO: 54 or 51 Watt	<b>FS</b> Flush Steel <b>FA</b> Flush Aluminum <b>RA</b> Regressed Aluminum <b>SFA</b> Silver Flush Aluminum <b>SRA</b> Silver Regressed Aluminum	<b>E</b> Electronic T8, Instant Start <b>ELW</b> 2-Lamp Electronic T8, 0.77 Ballast Factor, Low Wattage, Instant Start <b>4E</b> 4-Lamp Electronic T8, Instant Start <b>4ELW</b> 4-Lamp Electronic T8, 0.77 Ballast Factor, Low Wattage, Instant Start <b>EP</b> Electronic T5 or T8, Programmed Start <b>4EP</b> 4-Lamp Electronic T5HO or T8, Programmed Start		
<b>ACCESSORIES (ORDER SEPARATELY)</b>					
<b>CM48Y2SC3F-KIT</b> 48" Cable Mount Kit for 2" Wide CM ceiling type, 3 Wire Feed Cord					

<sup>1</sup> Order hanger accessories separately.  
<sup>2</sup> Provides end wiring access for continuous row mounting. Contact factory for 6-lamp configurations.

For specific ballast vendor, show as option.

### PHOTOMETRIC DATA

Test 14269 Test Date 3/31/06

#### LUMINAIRE DATA

Luminaire	4PS24-432G-FSA12 4PS Lensed Troffer 2' x 4' 4-Lamp White Troffer with Prismatic A12 Acrylic Lens
Ballast	REL-4P32-5C
Ballast Factor	0.88
Lamp	F32T8
Lumens per Lamp	2900
Total Input Watts	110
Mounting	Recessed
Shielding Angle	0° = 90 90° = 90
Spacing Criterion	0° = 1.22 90° = 1.27
Luminous Opening in Feet	Length: 3.81 Width: 1.81 Height: 0.00

#### ZONAL LUMEN SUMMARY

Zone	Lumens	% Lamp	% Fixt.
0-30	3089	26.6	32.8
0-40	5004	43.1	53.1
0-60	8046	69.4	85.4
0-90	9418	81.2	100.0
0-180	9418	81.2	100.0

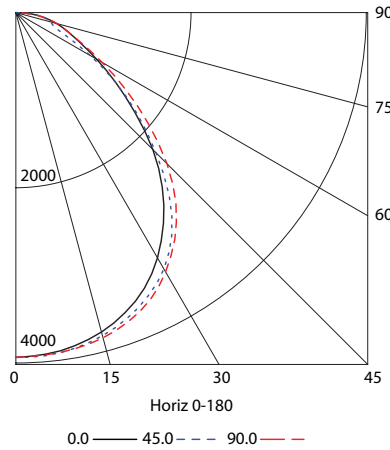
#### ENERGY DATA

Total Luminaire Efficiency	81.2%
Luminaire Efficacy Rating (LER)	75
IESNA RP-1-1993 Compliance	Noncompliant
Comparative Yearly Lighting Energy Cost per 1000 Lumens	\$3.20 based on 3000 hrs. and \$0.08 per KWH

#### COEFFICIENTS OF UTILIZATION (%)

RCR	RC 80				RC 70				RC 50				RC 0			
	RW 70	50	30	10	RW 70	50	30	10	RW 50	30	10	0	RW 10	0	0	
1	89	85	82	79	87	84	81	78	80	78	76	69				
2	82	76	70	66	80	74	69	65	71	67	64	59				
3	75	67	61	56	73	66	60	56	64	59	55	51				
4	69	60	54	48	67	59	53	48	57	52	47	45				
5	64	54	47	42	62	53	47	42	52	46	42	39				
6	59	49	42	37	58	48	42	37	47	41	37	35				
7	55	45	38	33	54	44	38	33	43	37	33	31				
8	52	41	34	30	50	40	34	30	39	34	30	28				
9	48	38	31	27	47	37	31	27	36	31	27	25				
10	45	35	29	25	44	35	29	25	34	28	24	23				

#### INDOOR CANDELA PLOT



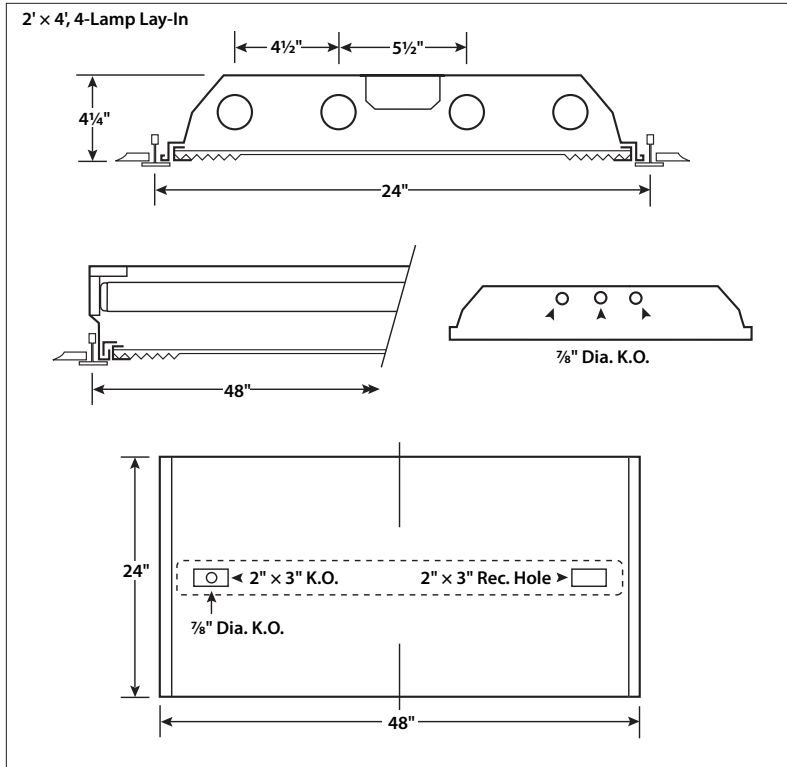
#### AVG. LUMINANCE (Candela/Sq. M.)

Average Luminance Angle	0.0	22.5	45.0	67.5	90.0
0	6142	6142	6142	6142	6142
30	5825	5915	6090	6151	6159
40	5296	5367	5546	5719	5793
45	4883	4865	4995	5238	5384
50	4315	4310	4410	4684	4798
55	3788	3715	3788	4038	4169
60	3322	3034	3053	3265	3553
65	2981	2493	2364	2652	3058
70	2861	2387	2108	2451	2857
75	2913	2545	2479	2539	2925
80	2975	2831	2921	2831	2957
85	3313	3170	3206	3098	3098

RCR = Room Cavity Ratio

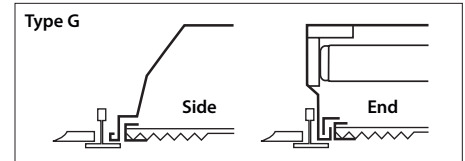
RC = Effective Ceiling Cavity Reflectance RW = Wall Reflectance

#### DIMENSIONAL DATA

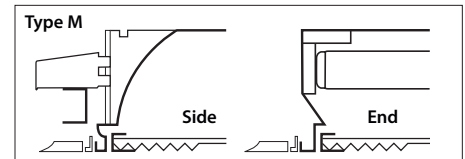


**NOTE:** All dimensions are in inches; dimensions and specifications are subject to change without notice. Please consult factory or check sample for verification.

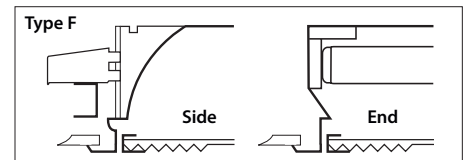
#### CEILING COMPATIBILITY



For lay-in installation in exposed grid ceilings. Maximum tee widths of 1" and maximum tee heights of 1 1/2" allowed.



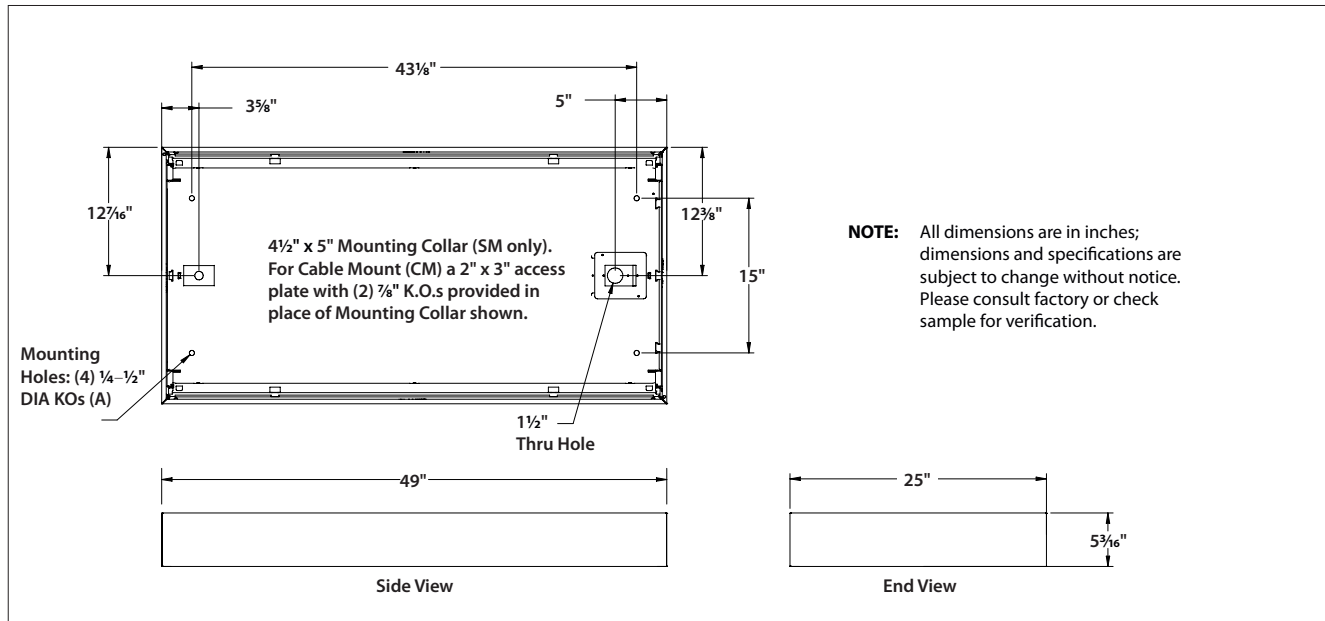
"Fit-in" style extruded trim aligns with modular tile joint. Fixture is supported from concealed suspension, includes adjustable wing hangers. 4 1/2" overall fixture height.



Overlapping trim conceals edges of ceiling opening. Wing hanger suspension included. 4 1/2" overall fixture height.

Flanged cut out dimension for single unit only: 24 1/8" x 48 1/8"

**DIMENSIONAL DATA - SURFACE MOUNT (SM) OR CABLE MOUNT (CM)**



**SURFACE MOUNT**

Order SM ceiling type. Mounting collar required for surface mounting. (4) Mounting knock-outs, 1/4" to 1/2" provided as shown, marked "A".

**CABLE MOUNT**

Order CM ceiling type. Access plate supplied for cable mounting or suspension. Use CM48Y2C3F-KIT 48" cable mount kit. Includes 3 wire feed cord. For other wiring needs, contact Hubbell Lighting representative. Mounting knock-outs, 1/4" to 1/2", provided as shown, marked "A".