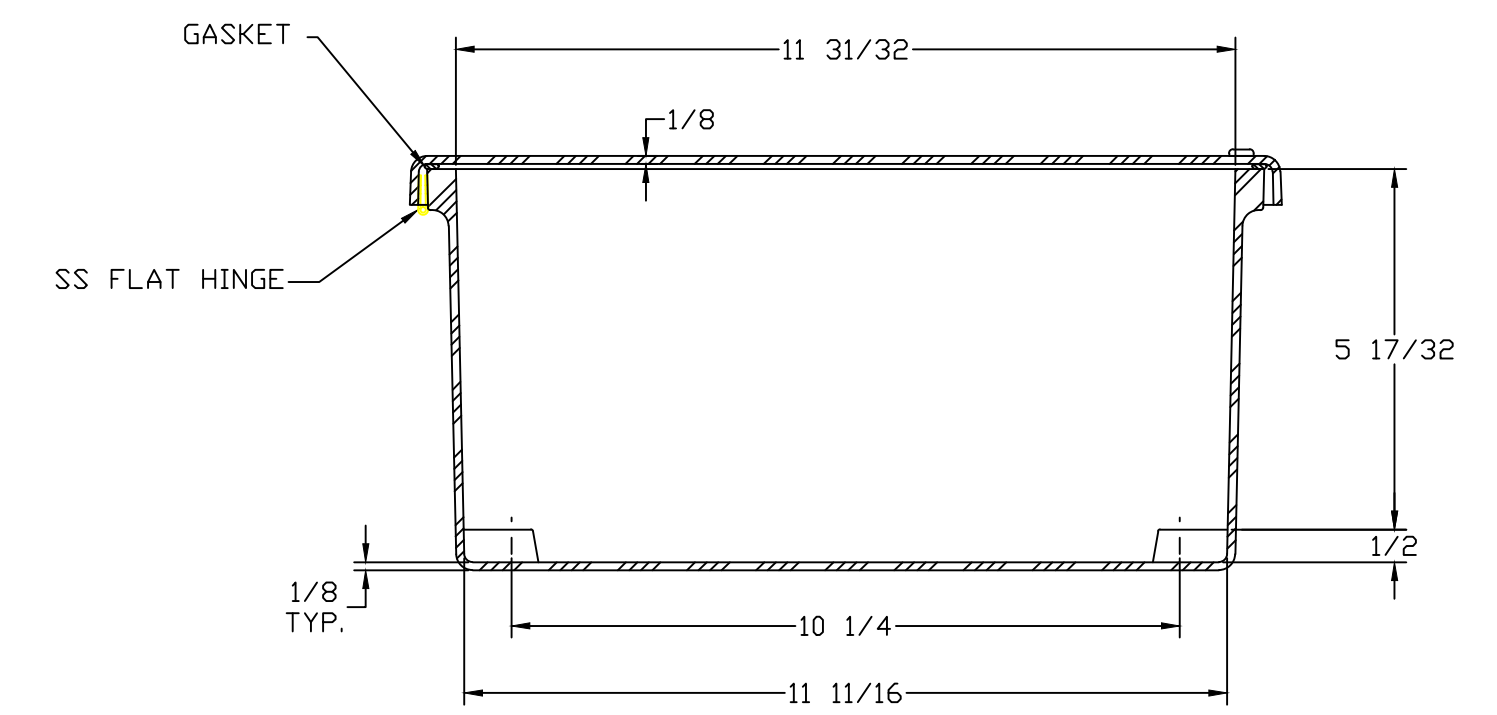
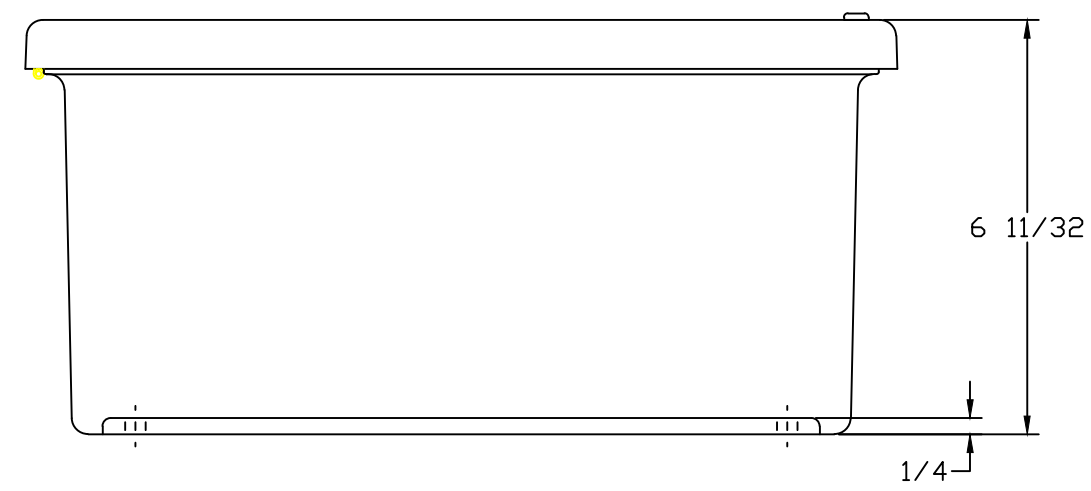


SECTION B-B



SECTION A-A

COLOR: GLACIER GRAY RR3013				TOLERANCES UNLESS SPECIFIED		DECIMAL ± .010	FRACTIONAL ± 1/32
NEMA 1, 3R, 4X, 6P, 12				DR. BY ZJB		DATE 7/3/04	
MATERIAL F.R. POLYESTER FIBERGLASS				CHK. BY	DATE	STAHLIN ENCLOSURES	
LET.	REVISION RECORD	DATE	BY	CHD.	APD. BY	DATE	CUSTOMER
							BELDING, MICHIGAN 48809
SCALE DD NOT SCALE				PART NAME ENCLOSURE		PART NO. J1212HW	