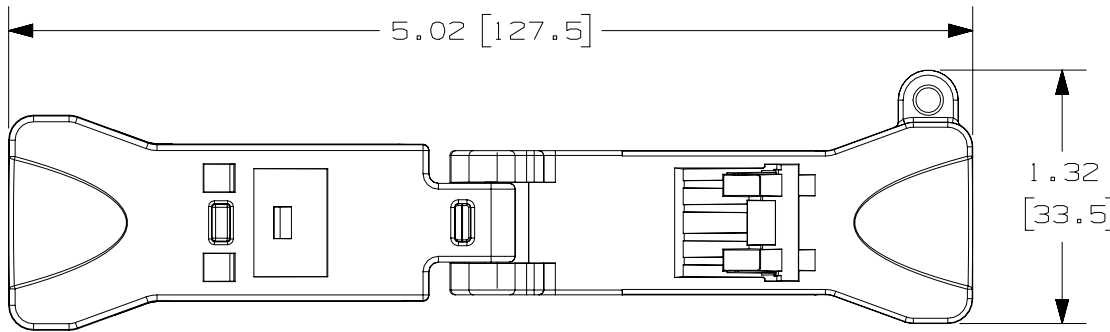
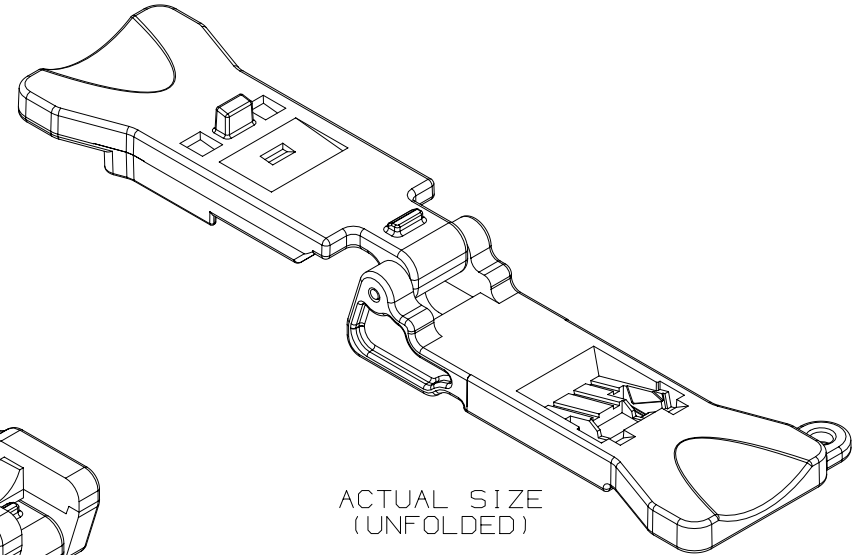
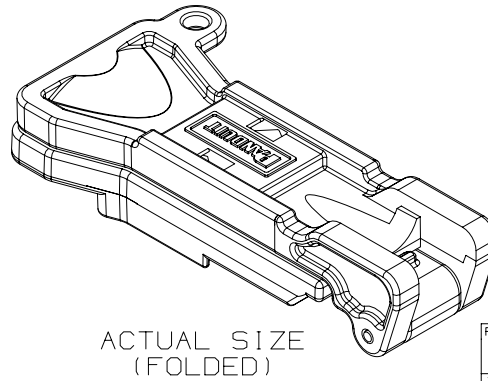
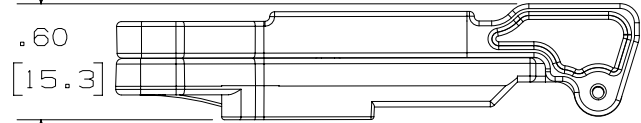
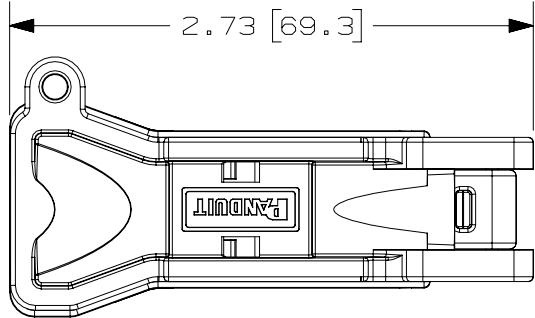
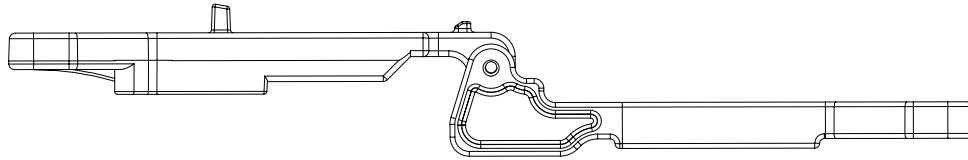


THIS COPY IS PROVIDED ON A RESTRICTED BASIS AND IS NOT TO BE USED IN ANY WAY DETRIMENTAL TO THE INTERESTS OF PANDUIT CORP.



PANDUIT P/N	WEIGHT
EGJT	.29 LB/10 PCS (131.6 g/10 PCS)

- NOTES:
1. TG JACK MODULE TERMINATION TOOL
 2. TERMINATES ALL CJ**TG** JACK MODULES
 3. DIMENSIONS IN BRACKETS ARE IN METRIC.
 4. MATERIAL: GLASS-FILLED NYLON



PART NUMBER	EGJT	PRODUCT SPEC/PKG SPEC	N/A
I.I. NUMBER	N/A	WORK INSTRUCTION	N/A

TITLE
TG TERMINATION TOOL
CUSTOMER DRAWING

ITEM REVISION NAME
M01874AP/13

DATASET FILE NAME
M01874AP_DC53/13A



UNLESS OTHERWISE SPECIFIED,
DIMENSIONAL TOLERANCES ARE: IN (mm)

.x ± .1 [2.54] .xxx ± .005 [.127]
.xx ± .01 [.25] ANGLES ± 5 °

REVIEW DRAWING NUMBERS:
**01874-50, 01874-51,
01874-52, 02436-04**

DRAWING NUMBER:
01874-53

DRAWN BY	DATE	CHK	SCALE	SHT 1 OF 1	SIZE
LZ	10-14-04	PBD	FULL		A

REV	DATE	BY	CHK	APR	DESCRIPTION	ECN
9	10-28-16	BJN	DCS	TMBA	UPDATED	01874-53
8	5-23-13	BJN	JAV	EJH	UPDATED REVISED & REDRAWN PREVIOUS REVS REMVD FOR CLARITY	01874-53

D10100DA/14

2

1

2

1