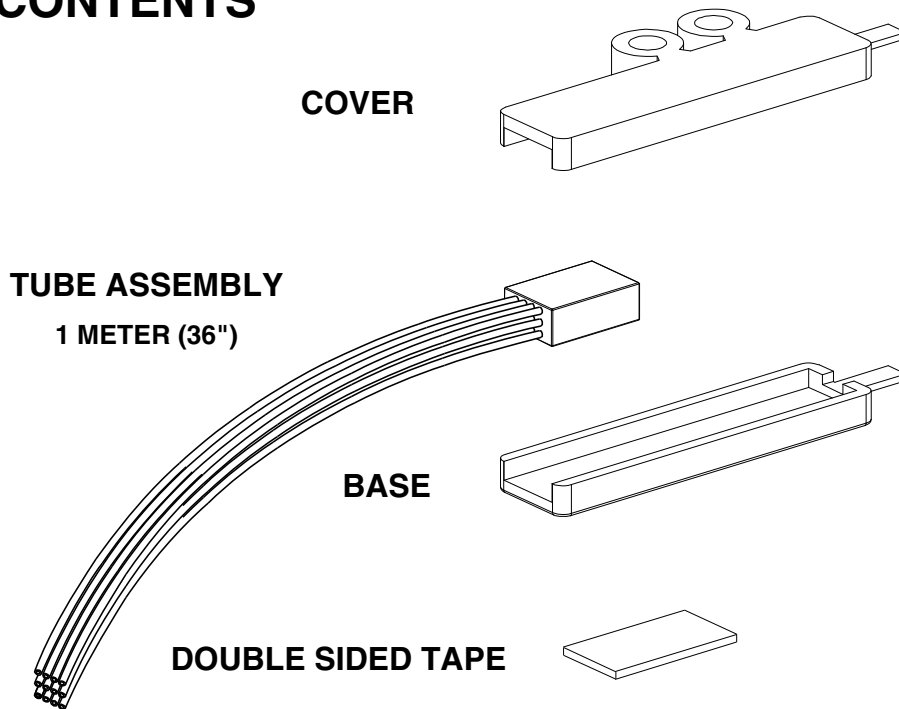
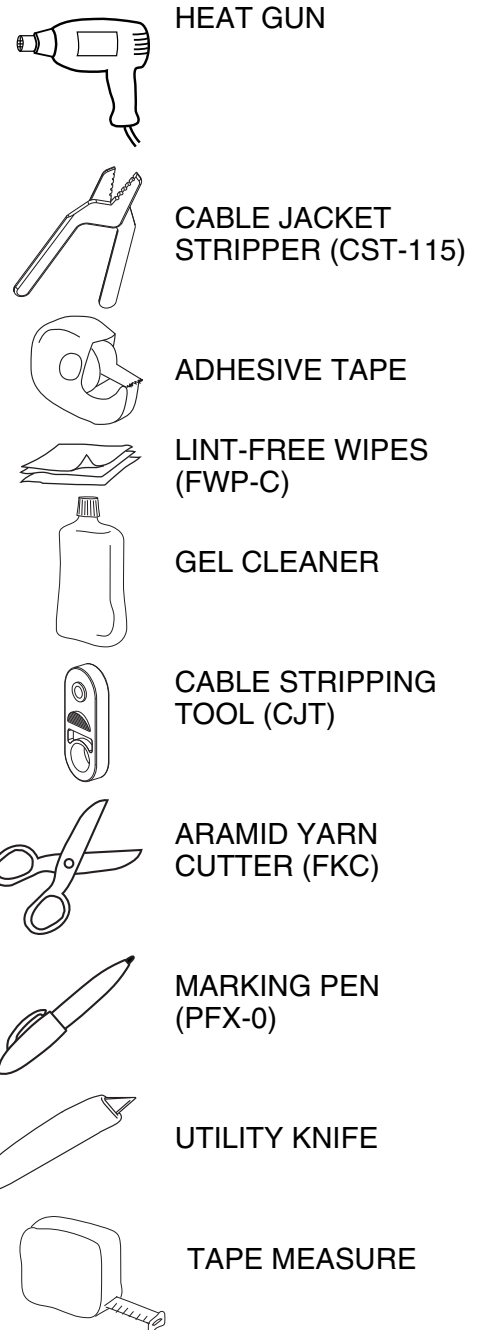


## CONTENTS



## REQUIRED TOOLS



## PRECAUTIONS

### 1. SAFETY GLASSES

**WARNING:** It is strongly recommended that safety glasses be worn when handling bare optical fiber. The bare fiber is very sharp and can easily damage the eye.

### 2. DISPOSAL OF BARE FIBERS

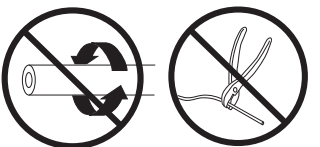
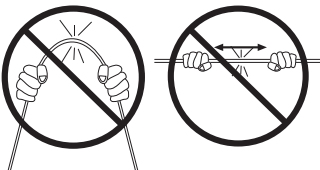
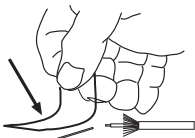
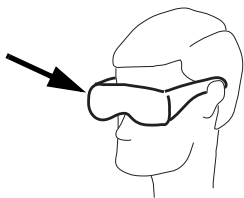
**WARNING:** Pick up and discard all pieces of bare fiber with sticky tabs. Do not let cut pieces of fiber stick to clothing or drop in the work area where they are hard to see and can cause injury.

### 3. LASER LIGHT PROTECTION

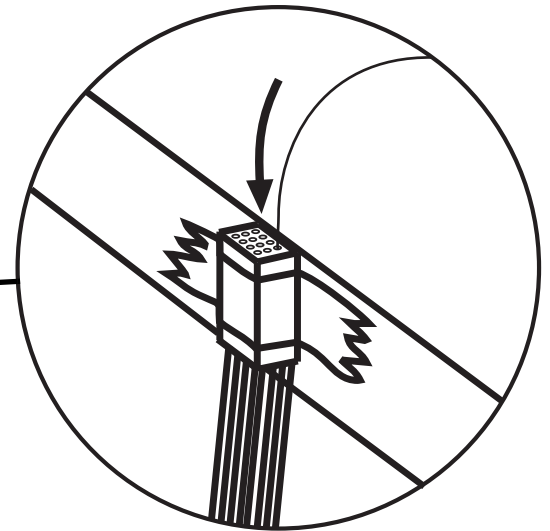
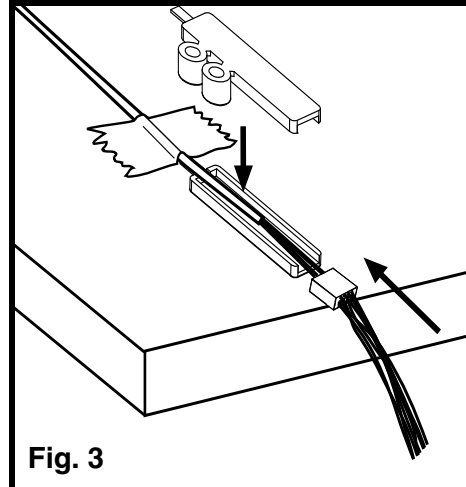
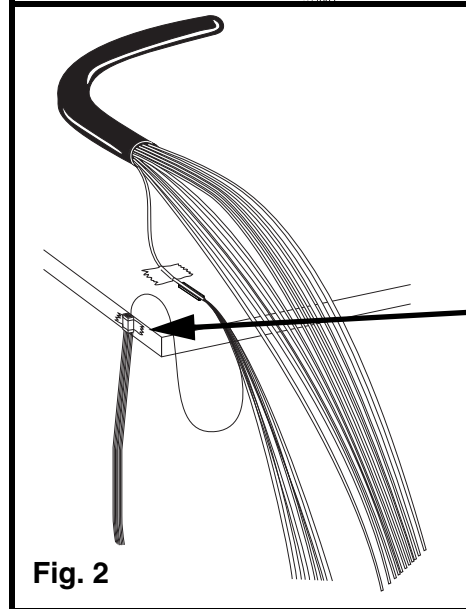
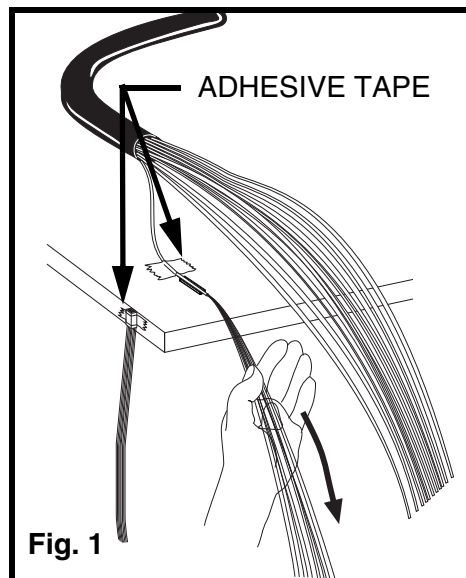
**WARNING:** Laser light is invisible. The invisible light is powerful enough to damage your eyes. Serious damage to the retina of the eye is possible. Never look into the end of a fiber which may have a laser coupled into it. Should accidental eye exposure to laser light be suspected, arrange for an eye examination immediately.

### 4. CABLE HANDLING

**WARNING:** Fiber optic cable can be damaged by excessive pulling, twisting, crushing or bending stresses. Consult the appropriate specification sheets as provided by your cable vendor. Any damage may result in decreased optical performance.



1. Slide heat shrink tube over cable.
2. Prepare cable according to cable manufacturer's instructions. Make sure the fibers are free of all gel.
3. Lay the cable on a table as shown in Fig. 1.
4. Tape the furcation tube assembly securely to the edge of the table as shown in Fig. 2.
5. Carefully thread each fiber into the tube assembly. Match the fiber colors to the colors of the tubing.
6. When the tube assembly is loaded, remove it from the edge of the table.
7. Slide the tube assembly toward the base making sure that the fibers do not bend, kink, or twist as shown in Fig. 3.
8. Place the tube assembly into the base.
9. Snap the cover on top of the base.
10. Slide the heat shrink tube up and use heat gun to shrink to the housing.
11. Use the double sided tape to mount the base as needed.



For Instructions in Local Languages  
and Technical Support:

[www.panduit.com/resources/install\\_maintain.asp](http://www.panduit.com/resources/install_maintain.asp)

**PANDUIT**  
www.panduit.com

E-mail:  
techsupport@panduit.com

Phone:  
866-405-6654