

BALDOR® • ***RELIANCE***

Product Information Packet

GLP3336

.33HP, 1725RPM, 1PH, 60HZ, PSLH, 3324L, TEFC,

| Part Detail | | | | | | | |
|-------------|----|-------------|--------------|-------------|-----------|---------------|------------|
| Revision: | H | Status: | PRD/A | Change #: | | Proprietary: | No |
| Type: | AC | Elec. Spec: | 33WGW181 | CD Diagram: | CD0001A10 | Mfg Plant: | |
| Mech. Spec: | | Layout: | 33E883W181G2 | Poles: | 04 | Created Date: | 07-28-2014 |
| Base: | | Eff. Date: | 09-28-2016 | Leads: | 6#18 | | |

| Specs | | | |
|--------------------------------|-------------------|--|--|
| Catalog Number: | GLP3336 | | |
| Enclosure: | TEFC | | |
| Frame Material: | Steel | | |
| Output @ Frequency: | .330 HP @ 60 HZ | | |
| Synchronous Speed @ Frequency: | 1800 RPM @ 60 HZ | | |
| Voltage @ Frequency: | 230.0 V @ 60 HZ | | |
| | 208.0 V @ 60 HZ | | |
| | 115.0 V @ 60 HZ | | |
| Agency Approvals: | CSA | | |
| | UR | | |
| Current @ Voltage: | 3.100 A @ 230.0 V | | |
| | 3.300 A @ 208.0 V | | |
| | 6.200 A @ 115.0 V | | |
| Design Code: | N | | |
| Duty Rating: | CONT | | |
| Feedback Signal: | NONE | | |
| Heater Indicator: | No Heater | | |
| Insulation Class: | F | | |

| | | | |
|---------------------------------------|-----------------|--|--|
| Inverter Code: | Not Inverter | | |
| KVA Code: | K | | |
| Motor Lead Quantity/Wire Size: | 6 @ 18 AWG | | |
| Motor Type: | 3324L | | |
| Power Factor: | 58 | | |
| Product Family: | General Purpose | | |
| RoHS Status: | ROHS COMPLIANT | | |
| Shaft Rotation: | Reversible | | |
| Motor Standards: | NEMA | | |
| Starting Method: | Full Voltage | | |
| Thermal Device - Winding: | None | | |
| Winding Thermal 1: | None | | |
| Winding Thermal 2: | None | | |

Nameplate NP1220A07

| | | | |
|------------|--------------|---------|------|
| CAT.NO. | GLP3336 | | |
| SER.NO | | | |
| SPEC. | 33E883W181G2 | | |
| HP | .33 | TE | |
| VOLTS | 115/208-230 | | |
| AMP | 6.2/3.3-3.1 | | |
| HZ | 60 | PH | 1 |
| AMB. | 40 | DUTY | CONT |
| CAP | 130 | CODE | K |
| SER.F. | 1.00 | CLASS | F |
| R.P.M. | 172.5 | | |
| TORQ/IN LB | 109 | | |
| RATIO | 10:1 | | |
| APRV-CSA | | APRV-UL | |

AC Induction Motor Performance Data

Record # 23048 - Typical performance - not guaranteed values

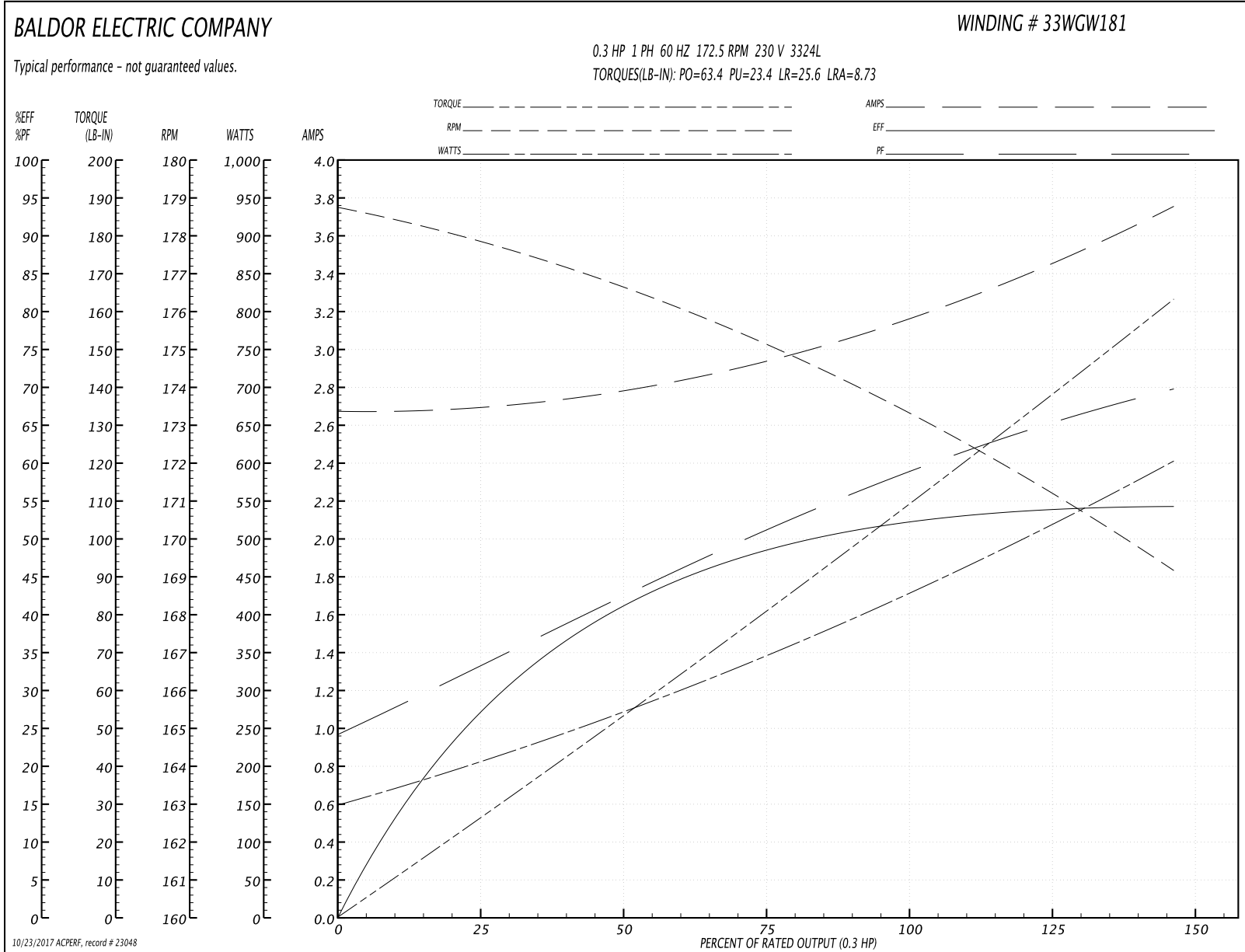
| | | |
|---|---|---|
| Winding: 33WGW181-R004 Gear Type: PARALLEL | Type: 3324L Gear Style: PSLH | Enclosure: TEFC Gear Ratio: 10:1 |
|---|---|---|

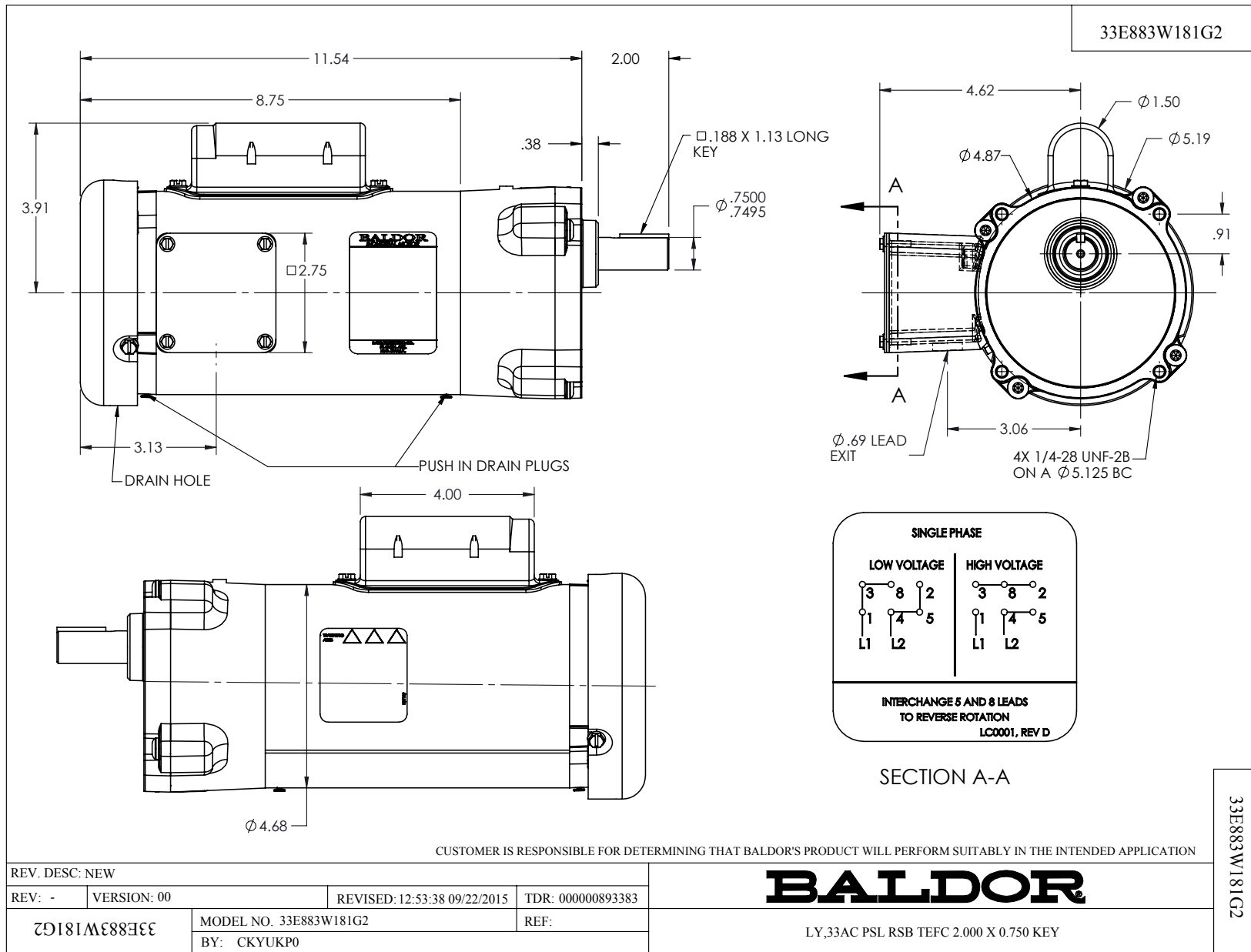
| Nameplate Data | | | | 230 V, 60 Hz: Single Voltage Motor | |
|-----------------------|--------------|--------------|----|---------------------------------------|------------------------------|
| Rated Output (HP) | .33 | | | Full Load Torque | 109 LB-IN |
| Volts | 230 | | | Start Configuration | direct on line |
| Full Load Amps | 3.1 | | | Breakdown Torque | 63.4 LB-IN |
| R.P.M. | 172.5 | | | Pull-up Torque | 23.4 LB-IN |
| Hz | 60 | Phase | 1 | Locked-rotor Torque | 25.6 LB-IN |
| NEMA Design Code | N | KVA Code | K | Starting Current | 8.73 A |
| Service Factor (S.F.) | 1 | | | No-load Current | 2.66 A |
| NEMA Nom. Eff. | 60 | Power Factor | 58 | Line-line Res. @ 25°C | 6.723 Ω A Ph 4.772 Ω B Ph |
| Rating - Duty | 40C AMB-CONT | | | Temp. Rise @ Rated Load | |

Load Characteristics 230 V, 60 Hz, 0.3 HP

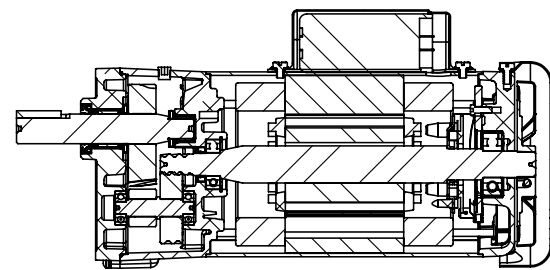
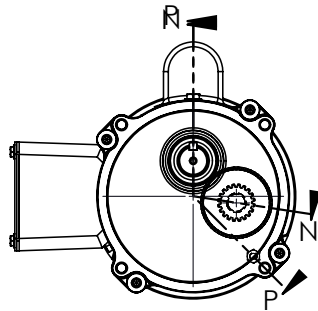
| % of Rated Load | 25 | 50 | 75 | 100 | 125 | 150 |
|-----------------|-------|-------|-------|-------|-------|-------|
| Power Factor | 34 | 43 | 51 | 59 | 65 | 70 |
| Efficiency | 27.2 | 41.1 | 48.8 | 52.5 | 54.1 | 54 |
| Speed | 177.8 | 176.5 | 175.1 | 173.4 | 171.4 | 169.1 |
| Line amperes | 2.71 | 2.8 | 2.94 | 3.15 | 3.42 | 3.77 |

Performance Graph at 230V, 60Hz, 0.3HP Typical performance - Not guaranteed values

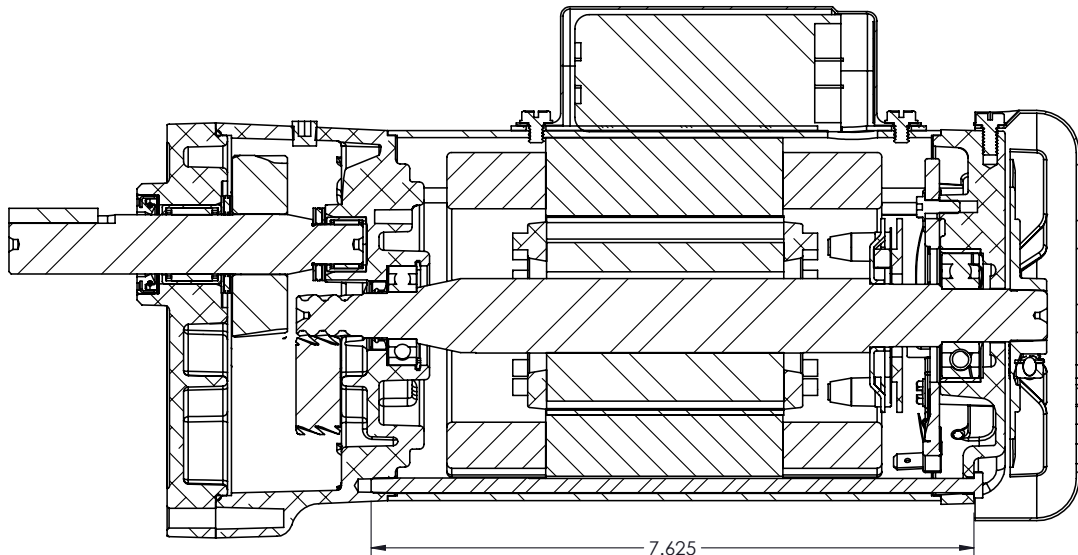




33E883W181G2



SECTION N-N



SECTION P-P

CUSTOMER IS RESPONSIBLE FOR DETERMINING THAT BALDOR'S PRODUCT WILL PERFORM SUITABLY IN THE INTENDED APPLICATION

| | | | |
|----------------|------------------------|------------------------------|-------------------|
| REV. DESC: NEW | | | |
| REV: - | VERSION: 00 | REVISED: 12:53:38 09/22/2015 | TDR: 000000893383 |
| 33E883W181G2 | MODEL NO. 33E883W181G2 | REF: | |
| | BY: CKYUKP0 | | |

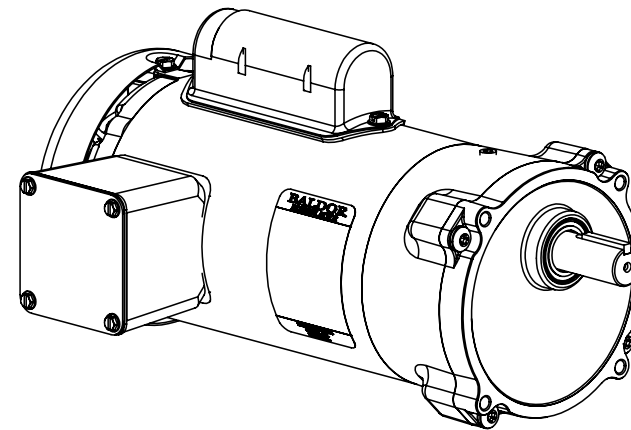
BALDOR

LY,33AC PSL RSB TEFC 2.000 X 0.750 KEY

33E883W181G2

| ITEM NO. | PART NUMBER | QTY. |
|----------|--------------|------|
| 1 | HG0077A12 | 1 |
| 2 | BMH1714 | 2 |
| 3 | BG6002 | 1 |
| 4 | HW5002A95 | 1 |
| 5 | HW4600F102 | 1 |
| 6 | BH1163A02 | 1 |
| 7 | HA4021A05 | 1 |
| 8 | HW3064E05 | 1 |
| 9 | 33SH7257C01 | 1 |
| 10 | 33RC4124-00 | 1 |
| 11 | RS9005 | 1 |
| 12 | BG6203 | 1 |
| 13 | 33SA9200C105 | 1 |
| 14 | NS2512A01 | 1 |
| 15 | 34GS1029A01 | 1 |
| 16 | 34CB3002C | 1 |
| 17 | 51XB1016A07 | 2 |
| 18 | 51XB1016A04 | 2 |
| 19 | 51XB1016A06 | 3 |
| 20 | 11XW1032G06 | 1 |
| 21 | 34GS1031A01 | 1 |
| 22 | 34CB4517 | 1 |
| 23 | 51XT0832A07 | 6 |
| 24 | 34GS3000 | 1 |
| 25 | 34CB4800 | 1 |
| 26 | NS2500A01 | 1 |
| 27 | EC1130A02 | 1 |
| 28 | 33EP3100A01 | 1 |
| 29 | HW5109A05 | 1 |
| 30 | SP5182 | 1 |
| 31 | HA3100A | 2 |
| 32 | HA4067 | 2 |
| 33 | 33FN3000 | 1 |
| 34 | 12XN0832A16 | 1 |
| 35 | HW1003A08 | 1 |
| 36 | XY0832A02 | 1 |
| 37 | 33FH4000A01 | 1 |
| 38 | SG0045C03 | 1 |
| 39 | SG0045C04 | 1 |
| 40 | CG0012A01 | 1 |
| 41 | RM1020A22 | 1 |
| 42 | BH1163A03 | 1 |
| 43 | HW4600D39 | 1 |
| 44 | 60XM2520A12 | 4 |
| 45 | BMH1910 | 1 |
| 46 | NP1220A | 1 |
| 47 | LC0001 | 1 |
| 48 | LB1119 | 1 |

33E883W181G2



33E883W181G2

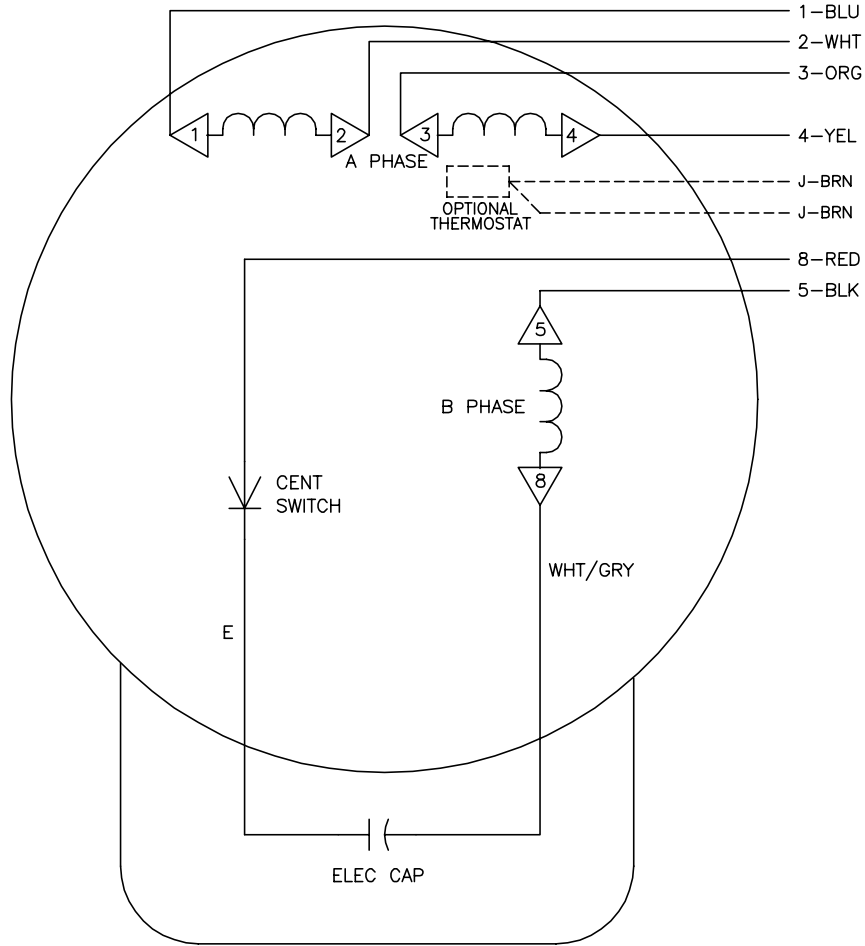
CUSTOMER IS RESPONSIBLE FOR DETERMINING THAT BALDOR'S PRODUCT WILL PERFORM SUITABLY IN THE INTENDED APPLICATION

| | | | |
|----------------|-------------|------------------------------|-------------------|
| REV. DESC: NEW | | | |
| REV: - | VERSION: 00 | REVISED: 12:53:38 09/22/2015 | TDR: 000000893383 |
| 70181E88E3 | | MODEL NO. 33E883W181G2 | REF: |
| | | BY: CKYUKP0 | |

BALDOR


LY,33AC PSL RSB TEFC 2.000 X 0.750 KEY

CD0001A10



| | LINE A | LINE B | JOIN |
|----------|--------|--------|-------|
| HIGH STD | 1 | 4,5 | 2,3,8 |
| HIGH OPP | 1 | 4,8 | 2,3,5 |
| LOW STD | 1,3,8 | 2,4,5 | - |
| LOW OPP | 1,3,5 | 2,4,8 | - |

NOTES:

1. STANDARD ROTATION IS CCW FACING LEAD END
2. OPTIONAL THERMOSTAT IS PROVIDED WHEN SPECIFIED.
3. MULTIPLE CAPACITORS ARE CONNECTED IN PARALLEL UNLESS OTHERWISE SPECIFIED.
4. LEAD COLORS ARE OPTIONAL. LEADS MUST ALWAYS BE NUMBERED AS SHOWN.
5.  = MAGNET WIRE COIL END WITH I.D. NUMBER

| | | |
|----------------|----------------------|------------------------------|
| REV. DESC: NEW | | |
| REV. LTR: - | VERSION: 00 | TDR: 000000435106 |
| 01V100000 | FILE: \CKA\00032\277 | REVISED: 10:15:16 06/19/2007 |
| | MTL: - | BY: CKNATLO |

Baldor • Dodge • Reliance

TYPE L, DV, REV, 6 LD, CK

CD0001A10