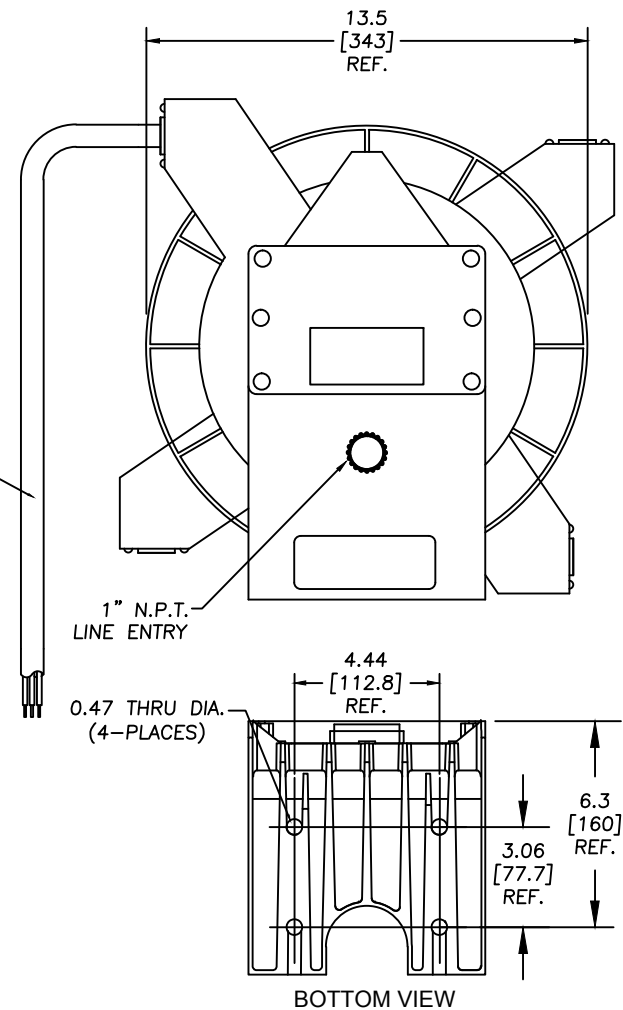
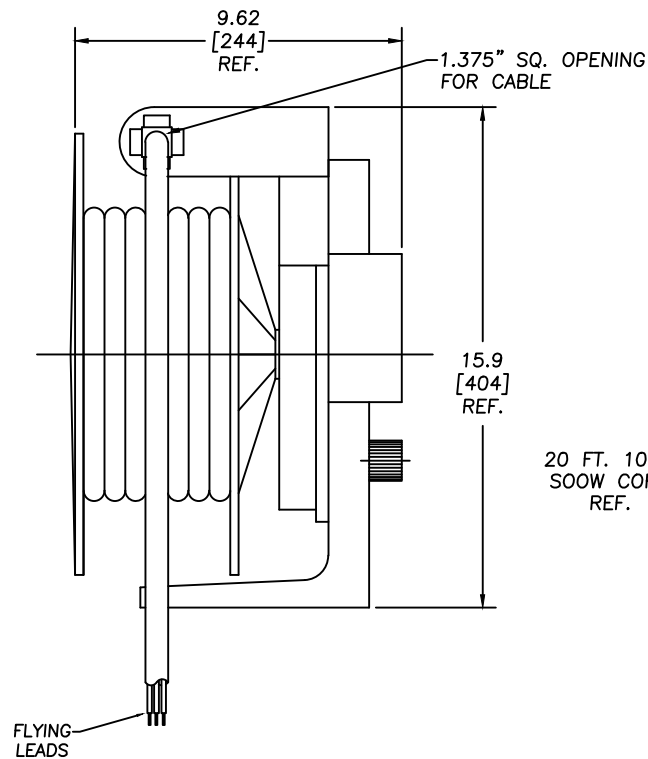


ORDER NO.	130084-0318
WOODHEAD ENG. NO.	9242
WIRE GAUGE	10
CONDUCTORS	3
AMPERAGE	22A
CORD LENGTH	20 FT [6.10 M]
CORD TYPE	SOOW
CONSTRUCTION	HEAVY WALL CAST ALUMINUM
PAINT	YELLOW POWDER COAT
REEL ENCLOSURE RATING	NEMA4 INDOOR / OUTDOOR
RETRACTION WEIGHT	4.0 LB [1.8 KG]



- NOTES:
- CABLE GUIDE IS ADJUSTABLE EVERY 5 DEGREES OVER 270 DEGREE ARC.
 - RATCHET LOCK IS EASY TO DISENGAGE FOR CONSTANT TENSION.
 - REEL CANNOT BE "LOCKED OUT" AT FULL TENSION.
 - REEL IS TRUCK MOUNTABLE.
 - BALL STOP IS OPTIONAL: ORDER NO. 130226-4374 / WOODHEAD ENG. NO. 9521

RELEASE DRAWING EC NO: WNA2012-0035 DRWN: MCHOJECK 2011/07/18 CHKD: DT APPR: DTITUS 2011/09/02	QUALITY SYMBOLS	GENERAL TOLERANCES (UNLESS SPECIFIED)		DIMENSION STYLE	SCALE	DESIGN UNITS	THIRD ANGLE PROJECTION
	$\nabla=0$ $\sphericalangle=0$	mm	INCH	IN/MM	NTS	INCH	
		4 PLACES	±---	±---	DRAWN BY DATE	TITLE	
		3 PLACES	±---	±.005	MCHOJECK 2011/07/18	CABLE REEL INDUSTRIAL DUTY W/ 20' 10-3 CORD	
	2 PLACES	±0.13	±0.010	CHECKED BY DATE	MOLEX INCORPORATED		
	1 PLACE	±0.25	±0.020	DT 2011/07/18	MOLEX INCORPORATED		
	ANGULAR ±1/2°			APPROVED BY DATE	MOLEX INCORPORATED		
	DRAFT WHERE APPLICABLE MUST REMAIN WITHIN DIMENSIONS			DTITUS 2011/09/02	MOLEX INCORPORATED		
				MATERIAL NO.	DOCUMENT NO.	SHEET NO.	
				1300840318	SD-130084-007	1 OF 1	
				SIZE A	THIS DRAWING CONTAINS INFORMATION THAT IS PROPRIETARY TO MOLEX INCORPORATED AND SHOULD NOT BE USED WITHOUT WRITTEN PERMISSION		