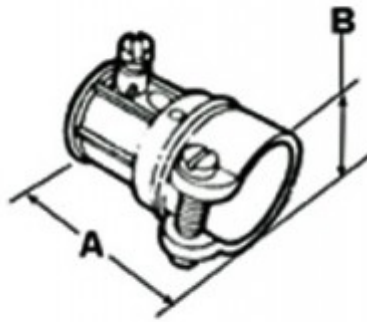


Mighty-Merge® Threadless Rigid to FMC Transition Fitting, 3/4"

Bridgeport now offers a full line of Mighty-Merge® Rigid to FMC/Greenfield Transition Fittings. An easy and Listed way to transition between Three dimensional flexibility for a raceway system when dropping in to switchgear and transitioning into transformers. Great for connecting stub ups from

[Download Photo](#)[Download Drawing](#)[Download Drawing](#)

Product details

Catalog Number:	282-DCR
UPC Number:	78174729282
Primary Materials:	Zinc Die Cast
Finish:	Ball Burnished, Mirror Smooth
Trade Size:	3/4"
Unit Quantity:	25
Standard Package Quantity:	100

Dimensions

Trade Size:	3/4"
Dimensions A:	2.216
Dimensions B:	1.28

Certifications & Codes

Federal Specification Number: A-A-50552

UL File Number: E9391

UNSPSC: 39131707

Nema Standard: FB-1

UL Standard: UL-514B