



► Model 302X

SelecTone® Explosion-Proof 30W Amplified Speaker

Model 302X SelecTone® Amplified Speaker is designed to meet UL 1480 intelligibility requirements producing crisp, clear tones, digital voice messages and live public address in harsh environments with high ambient noise levels.

The rugged speaker cone and projector are constructed of spun aluminum. The all new internal circuitry, tone module, and gain control are contained in a housing constructed of cast aluminum. All surfaces are sealed with powder-coat paint and assembled with stainless steel hardware. Dust- and moisture-proof gaskets provide protection from the elements. This housing incorporates a tool-less rear cover design, eliminating the need for torque specific hardware and solves the problem of missing or lost fasteners.

SelecTone Amplified Speakers are used individually or as part of a plant-wide emergency notification system. Model UTM Universal Tone Module with 32 tones, or model TM33-SD Custom Tone Module is plugged into a single SelecTone Amplified Speaker for stand-alone use or into a SelecTone Command Unit for plant-wide signaling.

For plant-wide signaling, a Connector Kit is required for each SelecTone Amplified Speaker and wired to a central controller. SelecTone Command Units and CommCenter® Digital Message Centers broadcast tones, voice messages, melodies and live public address to an unlimited number of SelecTone Amplified Speakers.

Applications for SelecTone include emergency warning, plant evacuation, start and dismissal, public address, and process control.

FEATURES

- Available in 24VAC/DC and 120/240VAC
- Digital Signal Amplification
- Fused input and output
- Built-in gain control, adjustable between 0 dBa to 114 dBa @ 10' (0 dBa to 124 dBa @ 1m)
- Type 4X, IP65 enclosure
- CSFM Approved
- UL and cUL Listed for Class I, Division 1, Groups B, C, and D; Class I, Division 2, Groups A, B, C, and D; Class II, Division 2, Groups F and G; and Class III

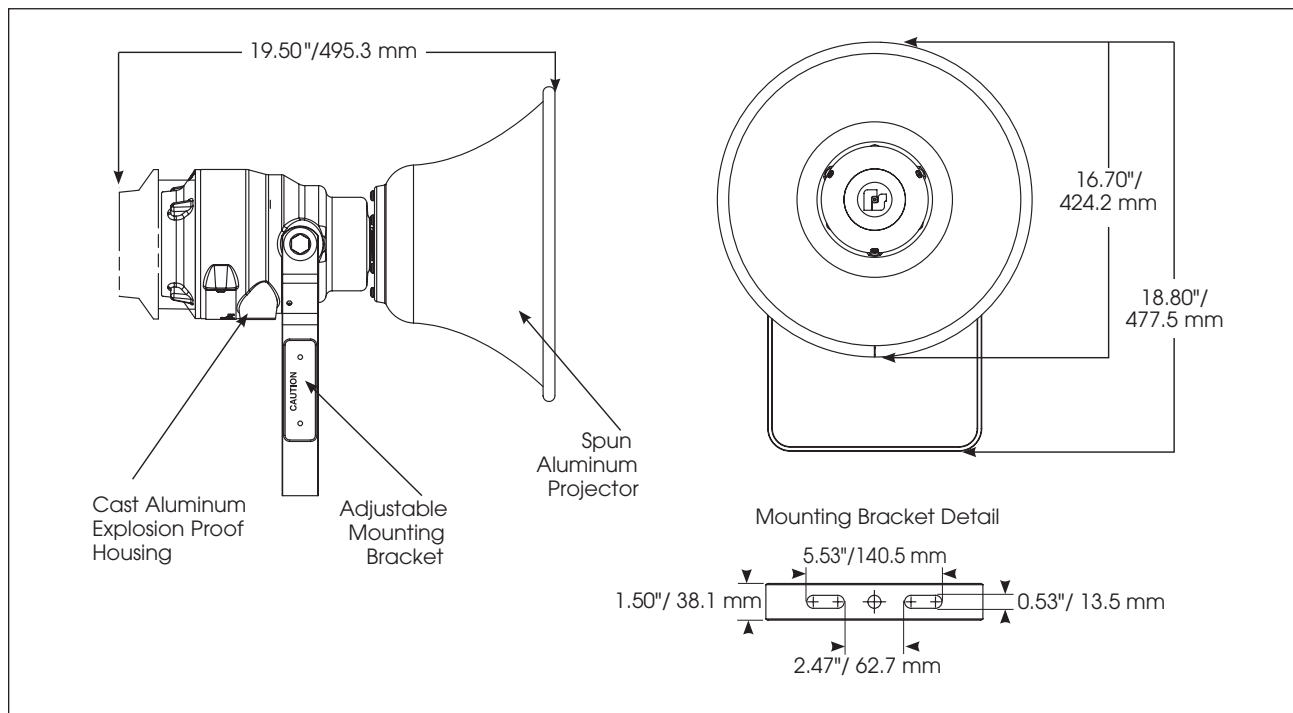
MODEL	VOLTAGE	OPERATING CURRENT	STANDBY CURRENT	DECIBELS	
				10'	1M
302X-024	24VDC	1.35 amps	0.13 amps	114	124
	24VAC 50/60Hz	1.91 amps	0.31 amps	114	124
302X-120-240	120VAC 50/60Hz	0.43 amps	0.26 amps	114	124
	240VAC 50/60Hz	0.26 amps	0.13 amps	114	124

HAZARDOUS LOCATION RATING: 302X

T-CODE AT MAXIMUM AMBIENT TEMPERATURE, °C

Hazardous Location	40°C	66°C
Class I, Division 1, Groups B, C, D	T6	T6
Class I, Division 2, Group A	T4A	T4
Class II, Division 2, Groups F, G	T6	T6
Class III	T6	T6

SelecTone® Explosion-Proof 30W Amplified Speaker (302X)



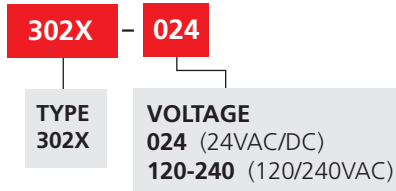
SPECIFICATIONS

Operating Temperature:	-67°F to 151°F	-55°C to 66°C
Rated Power:		30 watt
Net Weight:		
24VAC/DC	16.4 lbs	7.4 kg
120/240VAC	17.7 lbs	8.0 kg
Shipping Weight:		
24VAC/DC	32.4 lbs	14.7 kg
120/240VAC	33.7 lbs	15.3 kg
Height:	18.80"	477.5 mm
Width:	16.70"	424.2 mm
Depth:	19.50"	495.3 mm

REPLACEMENT PARTS

Description	Part Number
Amplifier Assembly, 24VAC/DC	K2005618A-03
Amplifier Assembly, 120/240VAC	K2005618A-05
Projector Assembly	K8593100A
Mounting Bracket Assembly	K8593071A
Gasket, Diaphragm	K8590243A

HOW TO ORDER



1. Select Model
2. Select Required Accessory (sold separately)

A. For stand alone operation, select Tone Module:

- UTM** – Universal Tone Module (Reference page 215 for list of tones)
- TM33-SD** – Custom Tone Module (Reference page 217 for list of tones)

B. For use in systems*, select Connector Kit. (Reference page 218 for Connector Kits)

- AM25CK** – 25 Vrms, 1 Vrms
- AM70CK** – 70 Vrms, 1 Vrms
- 300CK** – 10 Vrms, 1 Vrms
- T-300CK** – 2.7 Vrms, 1 Vrms
- E-300CK** – 1 Vrms, 1 Vrms

*Call factory for design assistance