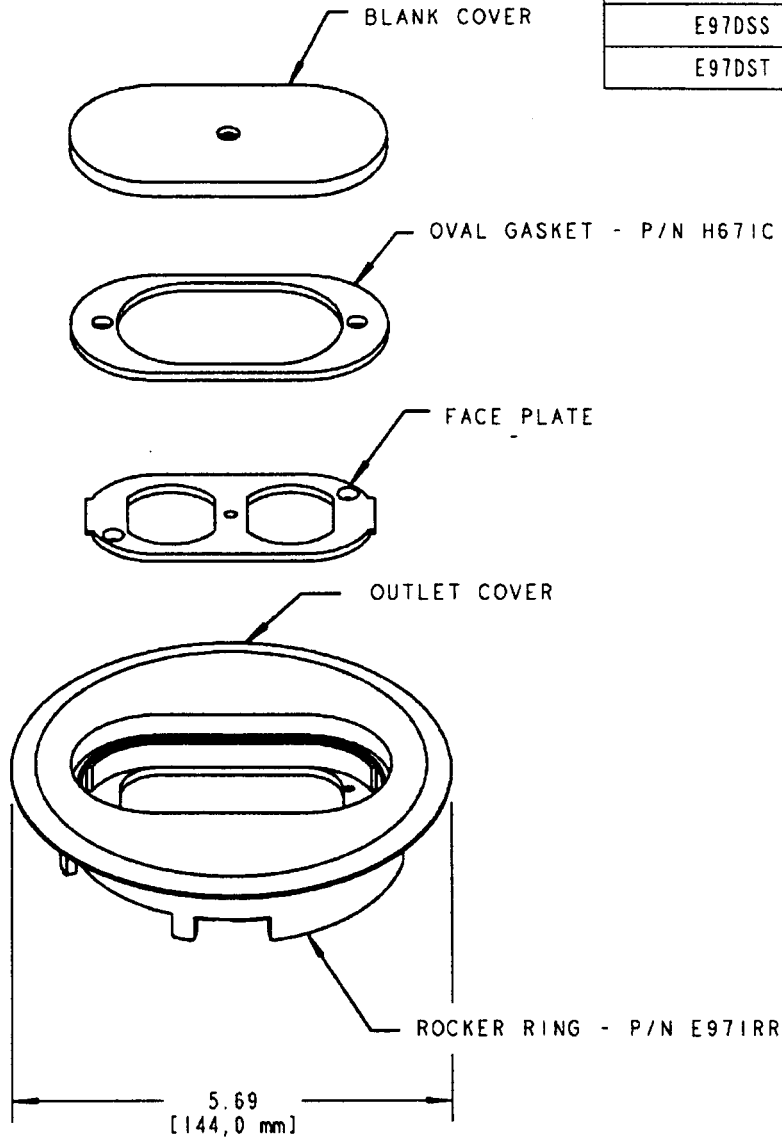



# Carlton

ASSY PART NO.	ASSY COLOR
E97DSC/CL	CARAMEL
E97DSB	BROWN
E97DSI	IVORY
E97DSS	SLATE
E97DST	TAUPE



<b>GENERAL NOTES</b> 1. ALL DIMENSIONS ARE FOR REFERENCE ONLY. 2. DIMENSIONS IN BRACKETS [ ] ARE IN METRIC UNITS.	<b>PROJECT #</b> <b>ERN #</b> 5AM01010    (2011004)	 <small>www.tnb.com</small>		
	<b>DESCRIPTION: ROUND FLOOR BOX COVER ASSEMBLY</b>			
<b>REVISIONS</b> ** SEE ERN (****) FOR APPROVAL SIGNATURES & RELEASE DATE. PROJECT NO: ****	<b>ORIGINAL PROJECT NO / (ERN NO)</b> / [ ]	<b>SHEET NO:</b> 1 OF 1	<b>REV. NO:</b> F	<b>DRAWING NO:</b> WSD-AC02473

THIS DRAWING IS INTENDED FOR DESCRIPTIVE PURPOSES ONLY, AND THE RIGHT IS RESERVED TO DEVIATE FROM ANY OF THE DETAILS SHOWN HEREON.  
 ©2008 Thomas & Betts - Proprietary, All Rights Reserved