

PRODUCT BROCHURE

Steel City[®] 665-AV2 floor box

2" KOs for audiovisual applications —
pull preterminated AV cables through conduit



Steel City® 665-AV2 floor box

Recessed service with four compartments for power and AV



- 2" KOs allow pre-terminated AV cables and connectors to be pulled directly through the conduit
- Accepts standard 665 series covers and device plates for power, voice, data and audiovisual connections
- Decora® style adapters allow voice, data and AV connectors to be mounted in a standard GFCI device plate
- Keystone style voice, data and AV connectors meet a wide range of low-voltage applications — all connectors are recessed for flush mounting in floor box applications
- Device plates are available that accept Extron® MAAP plates to accommodate any AV requirements (Extron MAAP plates purchased from an authorized Extron distributor)
- Metallic covers provide a durable, aesthetic installation, including industry-exclusive solid brass covers (not painted or plated); aluminum also available

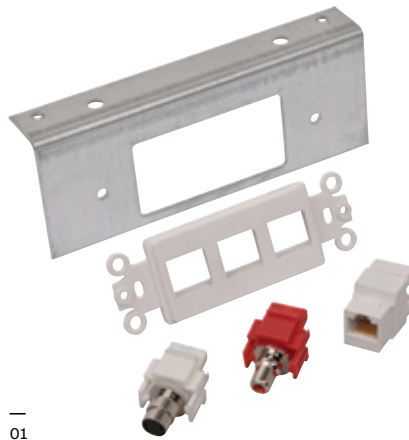


Cat no.	Description	Std. pkg. qty.	UPC no.
665-AV2*	4-Compartment recessed service floor box with 2" KOs for AV applications	1	785991-04895

*Requires (4) device plates, sold separately (see page 4).
Decora® is a registered trademark of Leviton Manufacturing Co., Inc.
Extron® is a registered trademark of Extron Electronics.

01 Decora® adapters and keystone
Inserts for GFCI device plates
(see page 4–5)

02 Extron® device plate for
(4) Extron® MAAP plates
(see page 4, 8)



01



02

Steel City 665-AV2 floor box

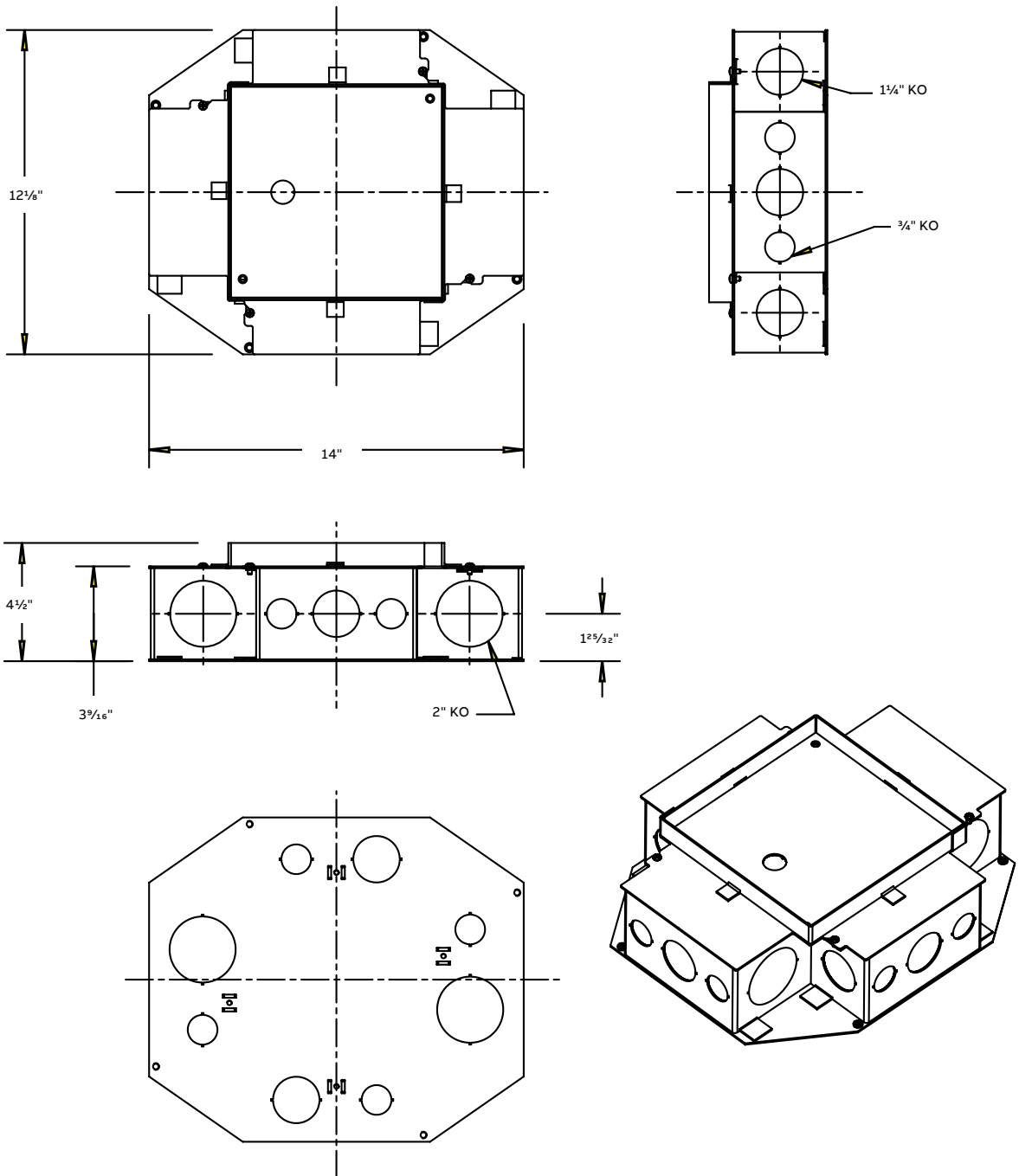
Engineering information

Steel City 665-AV2 floor box engineering data

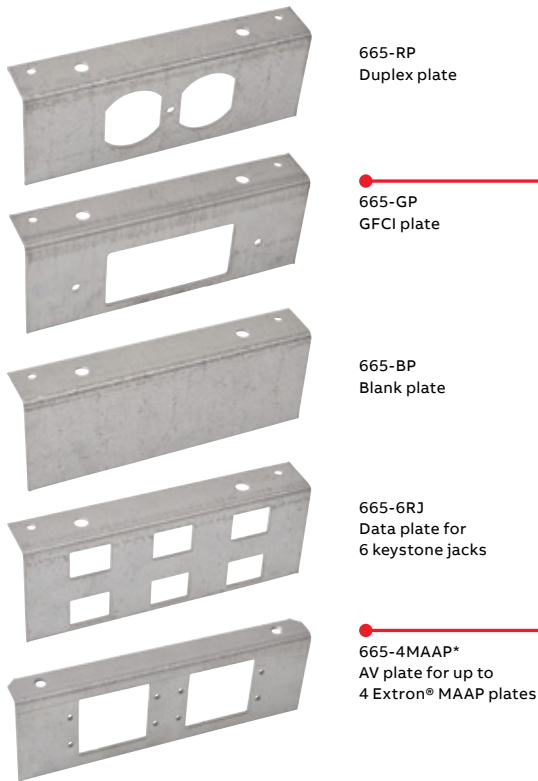


Cat no.	Before pour adj. (in.)	After pour adj. (in.)	Compartment size and capacity (qty. = 4)				Conduit KOs	
			Length (in.)	Width (in.)	Height (in.)	Volume (cu. in.)	Sides	Bottom
665-AV2	2½	¾	(2) 5¾	3¾	3⅜	72	(4) 2"	(2) 2"
				2¾	3⅜	52	(8) 1¼"	(2) 1¼"
							(8) ¾"	(4) ¾"

Diagrams



Device plates and accessories

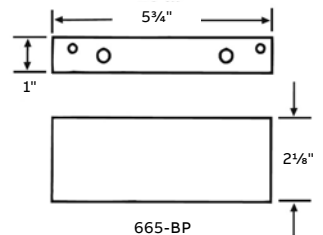


Steel City 665-AV2 floor box device plates and accessories



Cat no.	Description	Std. pkg. qty.	UPC no.
665-RP	Duplex plate for 665 series floor boxes	4	785991-61862
665-GP	GFCI plate for 665 series floor boxes	4	785991-61864
665-BP	Blank plate for 665 series floor boxes	4	785991-61863
665-6RJ	Data plate for 665 series floor boxes, accepts 6 keystone jacks	4	785991-01372
665-4MAAP*	AV plate for 665 series floor boxes, accepts 4 Extron MAAP plates	1	785991-04846
665-WT	Replacement wire tunnel for 665-SC and 665-AV2 floor boxes	4	785991-61868

Diagram



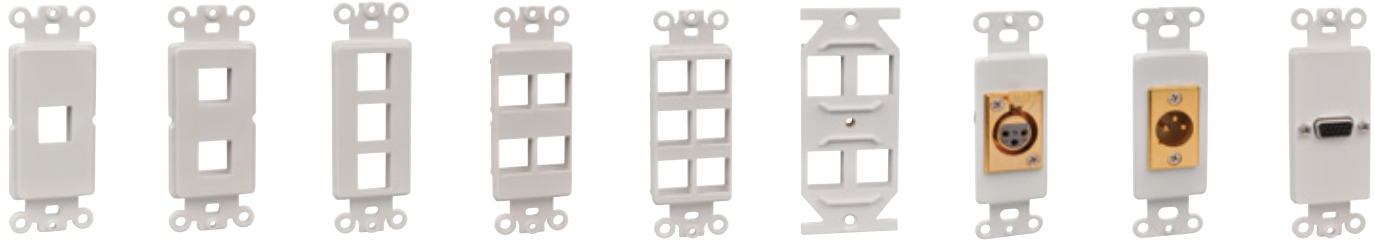
* Extron MAAP plates purchased from an authorized Extron distributor.
 – Each box requires (4) device plates.

01 665-WT
 Wire tunnel for 665-AV2
 Feed multiple compartments
 from a single conduit
 (one included with each 665-AV2)



01

Communications accessories



OPODEC1-WH OPODEC2-WH OPODEC3-WH OPODEC4-WH OPODEC6-WH OPOD4-WH OPODEC-XLRF-WH OPODEC-XLRM-WH OPODEC-VGA-WH

Decora/duplex adapters for use with standard floor box device plates

Cat no.	Description	Std. pkg. qty.	UPC no.
OPODEC1-WH	Decora adapter for GFCI device plate, 1-port, keystone, white	5	786209-92471
OPODEC2-WH	Decora adapter for GFCI device plate, 2-port, keystone, white	5	786209-92472
OPODEC3-WH	Decora adapter for GFCI device plate, 3-port, keystone, white	5	786209-92473
OPODEC4-WH	Decora adapter for GFCI device plate, 4-port, keystone, white	5	786209-92474
OPODEC6-WH	Decora adapter for GFCI device plate, 6-port, keystone, white	5	786209-92475
OPOD4-WH	Duplex adapter, 4-port, keystone, white	10	786210-79475
OPODEC-XLRF-WH	Decora adapter, female XLR microphone jack, solder leads, white	5	786209-92477
OPODEC-XLRM-WH	Decora adapter, male XLR microphone jack, solder leads, white	5	786209-92476
OPODEC-VGA-WH	Decora adapter, VGA connector, female-to-female, white	5	786209-92478



Keystone inserts for data, voice and audiovisual applications

Cat no.	Description	Std. pkg. qty.	UPC no.
OPJDU5EL-WH	Cat-5e data jack, keystone, white	5	786210-92973
OPJDU6L-WH	Cat-6 data jack, keystone, white	5	786210-92974
OPJV6C-WH	Phone jack, 6-conductor, keystone, white	5	786210-92975
OPA35-WH*	3.5mm stereo connector, recessed, keystone, female-to-female, white	5	786209-92479
OPARCAW*	RCA connector — white, recessed, keystone, female-to-female	5	786209-92482
OPARCAR*	RCA connector — red, recessed, keystone, female-to-female	5	786209-92483
OPARCAY*	RCA connector — yellow, recessed, keystone, female-to-female	5	786209-92481
OPAFR*	F-connector, recessed, keystone, 1 GHz, female-to-female, red	5	786209-92485
OPAS-WH	S-video connector, 4-pin, recessed, keystone, female-to-female, white	5	786209-92484
OPAHDMI-WH	HDMI connector, recessed, keystone, female-to-female, white	5	786209-92480
OPAB-WH	Blank insert, keystone, white	25	786210-79392

*Special installation note: When using these AV connectors with OPODEC4-WH and OPODEC6-WH Decora adapters, only a blank insert (OPABL-WH) can be used in the same horizontal row. Trim the ears off one side of the blank insert and install prior to installing the AV connector in the row.

Metallic covers



665-CST-SW-BRS
Solid brass



665-CST-SWR-BRS
Solid brass with recess
for floor covering



665-CST-SW-ALM
Solid aluminum



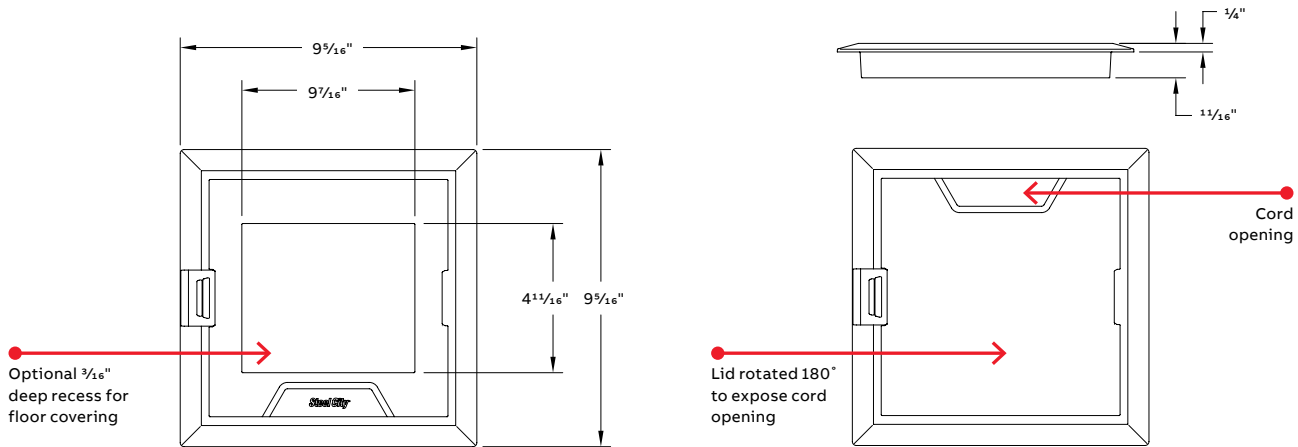
665-CST-SWR-ALM
Solid aluminum with recess
for floor covering

Steel City 665 series metallic covers



Cat no.	Description	Load rating	Std. pkg. qty.	UPC no.
665-CST-SW-BRS	Solid brass cover for 665 series floor boxes	1,500 lbs.	1	785991-04815
665-CST-SWR-BRS	Solid brass cover with recess for floor covering, 665 series	1,500 lbs.	1	785991-04817
665-CST-SW-ALM	Solid aluminum cover for 665 series floor boxes	1,500 lbs.	1	785991-04814
665-CST-SWR-ALM	Solid aluminum cover with recess for floor covering, 665 series	1,500 lbs.	1	785991-04816

Diagrams



01 Closed, not-in-use.
MopTite™ cover meets UL scrubwater exclusion requirements.

02 Open the lid.
Slide latch back and lift lid.

03 Plug in cords.
Lay lid to the side.
Attach plugs as needed,
route cords along the cord ramp.

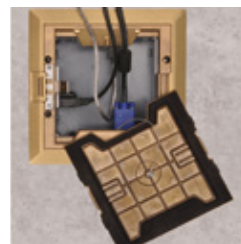
04 Closed, while-in-use.
Rotate the lid 180° and re-latch with the opening in the lid over the cord ramp.



01



02



03



04

Non-metallic covers



665-CST-SW-BLK
Black non-metallic cover



665-CST-SW-GRY
Gray non-metallic cover



665-CST-SW-BGE
Beige non-metallic cover



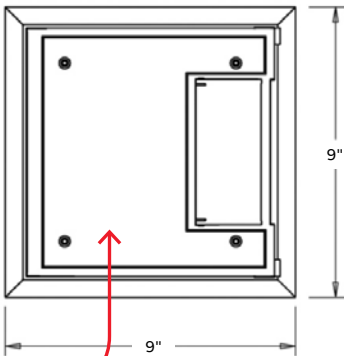
665-CST-SW-BRN
Brown non-metallic cover

Steel City 665 series non-metallic covers

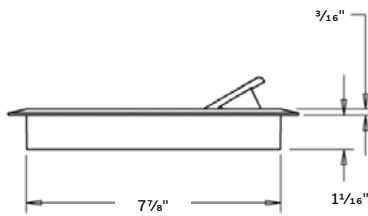
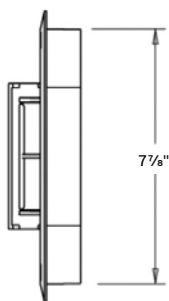


Cat no.	Description	Load rating	Std. pkg. qty.	UPC no.
665-CST-SW-BLK	Non-metallic cover for 665 series floor boxes, black	750 lbs.	1	785991-03269
665-CST-SW-GRY	Non-metallic cover for 665 series floor boxes, gray	750 lbs.	1	785991-03271
665-CST-SW-BGE	Non-metallic cover for 665 series floor boxes, beige	750 lbs.	1	785991-03268
665-CST-SW-BRN	Non-metallic cover for 665 series floor boxes, brown	750 lbs.	1	785991-03270

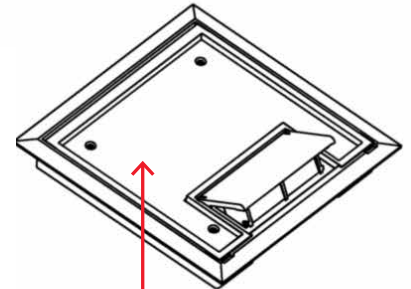
Diagrams



1/2" Steel reinforcement plate



Polycarbonate flange and lid



3/16" Deep recess for floor covering

Material: Polycarbonate. Contact ABB Technical Service for color chip samples.

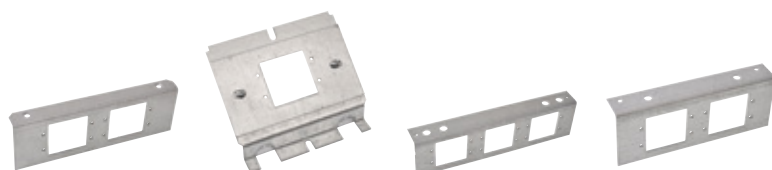
Extron® MAAP integration for Steel City floor boxes



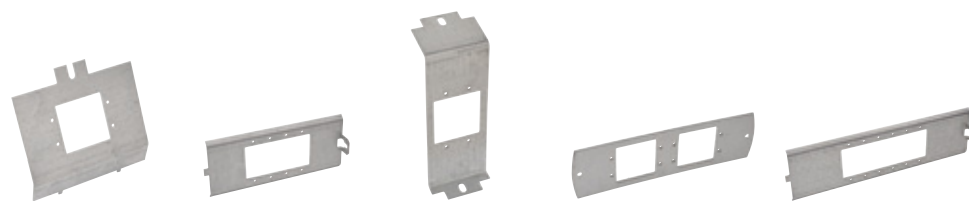
- Device panels are available for many Steel City floor boxes that accept Extron MAAP plates to accommodate a full range of AV applications
- Steel City device panels are purchased from authorized ABB distributors
- Extron MAAP plates are purchased from authorized Extron distributors



Extron MAAP plates
Purchased from authorized Extron distributors.



665-4MAAP 664-2MAAP 667-6MAAP 668S-4MAAP
Recessed service floor boxes



AFD-2-2MAAP AFD-4-4MAAP AFD-8-2MAAP AFD-4R-4MAAP AFD-6-6MAAP
Access floor modules

Steel City floor box Extron MAAP integration



Cat no.	Description	Std. pkg. qty.	UPC no.
665-4MAAP	Device panel for 665-SC, 665-CI & 665-AV2 floor boxes, accepts 4 Extron MAAP plates	1	785991-04846
664-2MAAP	Device panel for 664-SC and 664-CI floor boxes, accepts 2 Extron MAAP plates	1	785991-04944
667-6MAAP	Device panel for 667-SC floor box, accepts 6 Extron MAAP plates	1	785991-04847
668S-4MAAP	Device panel for 668-S floor box, accepts 4 Extron MAAP plates	1	785991-04848
AFD-2-2MAAP	Device panel for AFM-2 access floor module, accepts 2 Extron MAAP plates	1	785991-04849
AFD-4-4MAAP	Device panel for AFM-4 access floor module, accepts 4 Extron MAAP plates	1	785991-04851
AFD-8-2MAAP	Device panel for AFM-8 access floor module, accepts 2 Extron MAAP plates	1	785991-04854
AFD-4R-4MAAP	Device panel for AFM-4R access floor module, accepts 4 Extron MAAP plates	1	785991-04852
AFD-6-6MAAP	Device panel for AFM-6 floor box, accepts 6 Extron MAAP plates	1	785991-04853

Extron also offers complete AV interfaces for Steel City floor boxes — contact Extron or an authorized Extron distributor for more information.

ABB Inc.
Electrification Products
860 Ridge Lake Blvd.
Memphis, TN 38120

Customer Service: 800-816-7809
Technical Support: 888-862-3289

abb.com/lowvoltage

We reserve the right to make technical changes or modify the contents of this document without prior notice. With regard to purchase orders, the agreed particulars shall prevail. ABB Inc. does not accept any responsibility whatsoever for potential errors or possible lack of information in this document.

We reserve all rights in this document and in the subject matter and illustrations contained therein. Any reproduction or utilization of its contents – in whole or in parts – is forbidden without prior written consent of ABB Inc.
Copyright © 2018 ABB
All rights reserved