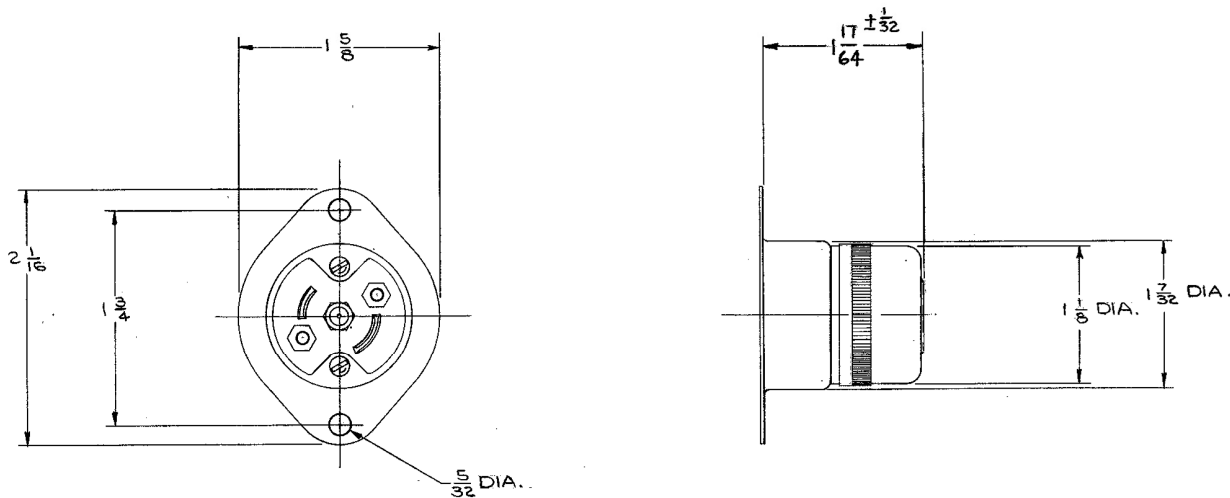


M-4145 4



LIST OF PARTS		
DESCRIPTION	MATERIAL	FINISH
BASE	NYLON	BLACK
CASING	.025 BRASS	NICKEL PL.
CONTACT BLADES	.060 BRASS	WHITE
CONTACT SLEEVE	BRASS	
BINDING SCREWS	BRASS	WHITE
HEX HD. BIND. SCREW	BRASS	GREEN
CUPPED WASHER	.020 BRASS	
SHUNT	.012 BRASS	
INSULATOR	.031 NYLON	NATURAL
FILLISTER HD. SCR.	STEEL	ZINC PL.
BODY	POLYESTER	BLACK

4	PARTS LIST: BODY MATERIAL POLYESTER WAS PHENOLIC; CAT. NO. HBL7551 WAS 7551 PER DCN 22625 RM	DJP	10/3/17
3	BODY WAS BAKELITE. CUPPED WASHER WAS .025 BRASS. SHUNT WAS .012 BRASS.	CB	2/13/92
2	DELETED CORD CLAMPS & SCRS. CHANGED INSULATOR FROM FLOOR FIBRE TO NYLON. CHANGED SCREW FROM BRASS TO STEEL.		4JL CSC 10-24-91
1	BASE WAS BAKELITE		9-26-66
SYM	REVISIONS	APP	DATE

TITLE 15A. 125V. 3 WIRE GROUNDING MIDGET TWIST-LOCK FLANGED INLET WITH COVERED TERMINALS

TOLERANCES UNLESS OTHERWISE SPECIFIED FRACTIONS ± 1/64 DECIMALS ± .005 ANGLES ± 2°	HARVEY HUBBELL, INC.	
	SHELTON CONN.	
	DR. BY RAR	APP. BY A.S.
	TR. BY	SCALE FULL
	CHK'D. BY J.C.H.	DATE 6-11-65

CODE 74545

DIMENSION SHEET FOR CAT. NO. HBL7551

REPAIRABLE NON-REPAIRABLE

B

M-4145

4