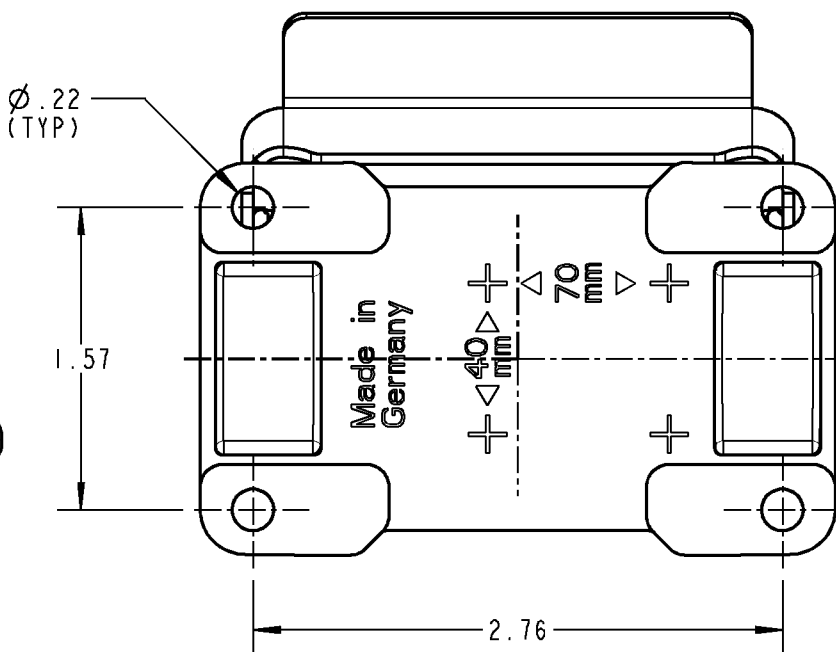
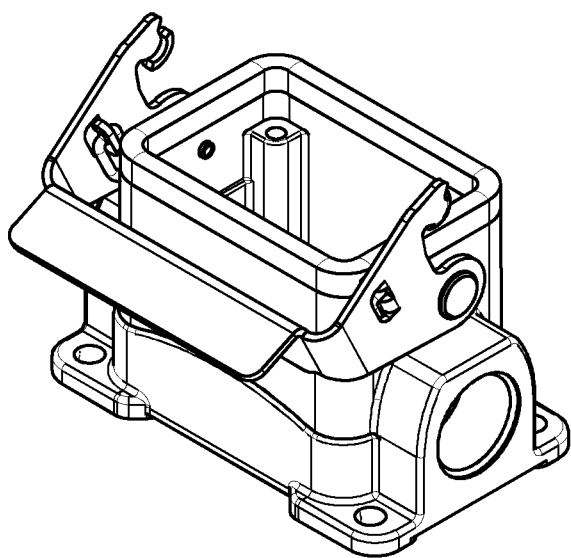
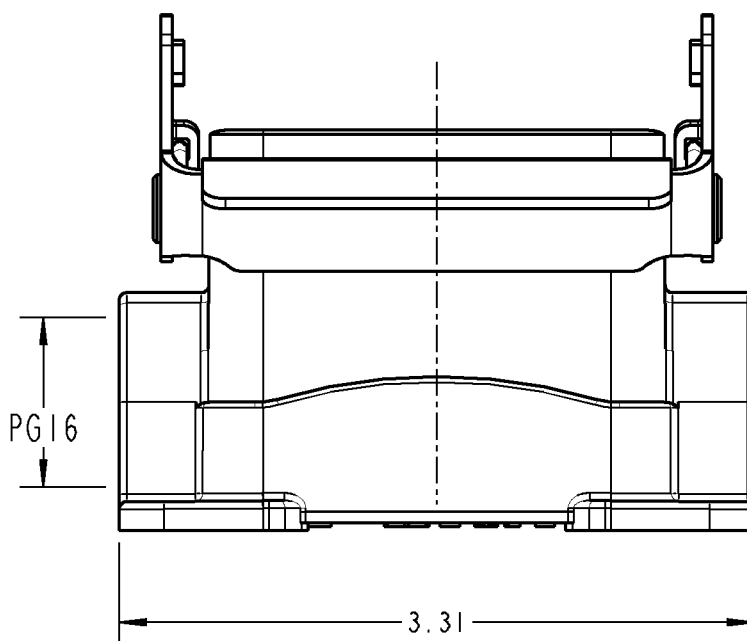
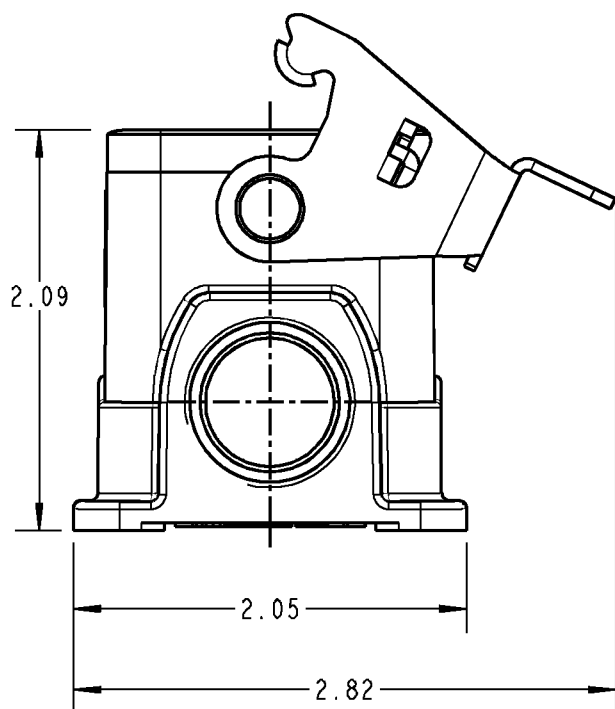




Pos-E-Kon™



CAT NO: BB406TMV

GENERAL NOTES

1. ALL DIMENSIONS ARE FOR REFERENCE ONLY.
2. DIMENSIONS IN BRACKETS [] ARE IN METRIC UNITS.

REVISIONS

*** SEE ERN (****) FOR APPROVAL SIGNATURES & RELEASE DATE.
PROJECT NO: ****

Thomas & Betts
www.tnb.com

DESCRIPTION: **STANDARD WALL MOUNT HOUSING B6
BLACK - SINGLE LOCK**

ORIGINAL PROJECT NO / (ERN NO)
TM400024 / (2013930)

SHEET NO:
1 OF 1

REV. NO:
**

DRAWING NO:
WSD-001083