



Fits decorator wall plates with only 1/2" protrusion. 120 or 277 volts. Gangable. Full 180° view covers 1000 sq. ft. Works with electronic ballasts. Can be wired in parallel. LED indicator, wallplate included. Can also be used as a ceiling sensor.

Color: White

Weight: 0.3 lbs

<b>Project:</b>	<b>Type:</b>
<b>Prepared By:</b>	<b>Date:</b>

## Technical Specifications

### Listings

#### UL Listing:

Indoor applications Smart Box & Tuff Dome Wet locations

### Construction

#### Compatibility:

Compatible with most electronic ballasts. Not compatible with instant start ballasts. Can be wired in parallel.

### Sensor Characteristics

#### Maximum Reliability:

Superb small movement sensitivity within 18 feet. LOS1000 has "ZAPS" - Zero Arc Point Switching to protect relay contacts lengthen ballast and sensor life.

#### Time Delay:

30 seconds to 15 minutes

#### Ambient Light Sensing:

n/a

#### Adjustments:

Time

#### Detection:

180° view covers 1000 sq. feet.

### Electrical

#### Maximum Energy Savings:

Light only when you need it. No ON switch so lights are never left on by mistake.

#### Incandescent & Fluorescent Watts Switched:

1000 watts @ 120 volts

#### Ratings:

8 amps 1/6 Horsepower

#### Power Consumption:

Negligible

#### Manual Switch:

Off - Auto

#### Wiring:

Hot & ground

### Optical

#### Coverage Area:

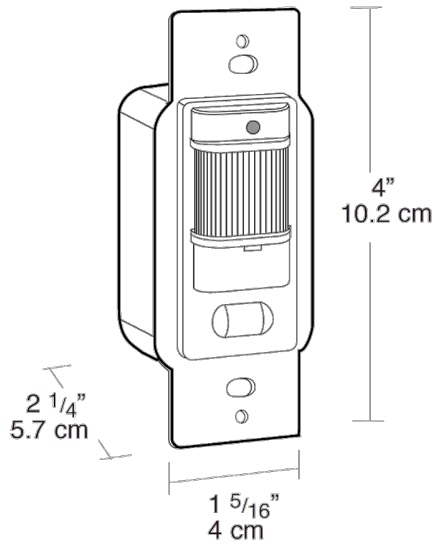
1000sf

### Other

#### Buy American Act Compliance:

RAB values USA manufacturing! Upon request, RAB may be able to manufacture this product to be compliant with the Buy American Act (BAA). Please contact customer service to request a quote for the product to be made BAA compliant.

## Dimensions



## Features

- Full 180° view
- LED detection indicator
- Tough, vandal resistant lens
- Fits decorator wall plates
- Control panel cover only removable with wall plate to prevent tampering
- Manual off/auto switch
- Vandal proof sensor for schools, gyms and high abuse areas