

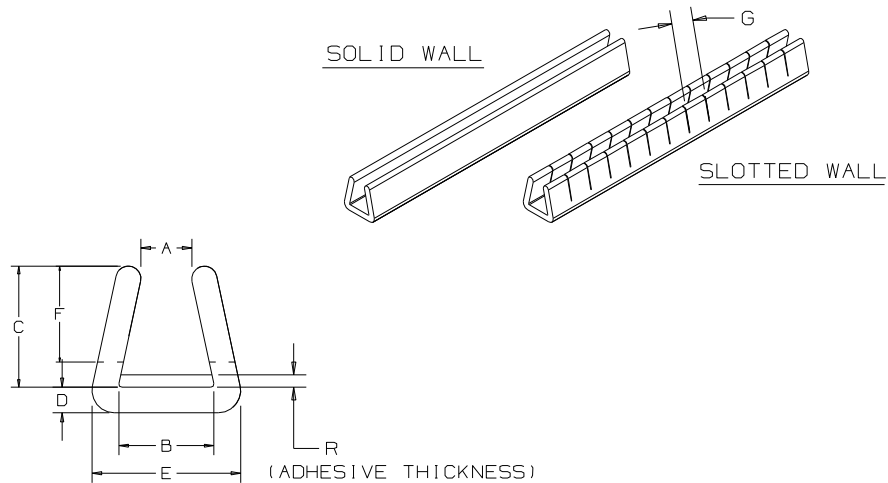
THIS COPY IS PROVIDED ON A RESTRICTED BASIS AND IS NOT TO BE USED IN ANY WAY DETRIMENTAL TO THE INTERESTS OF PANDUIT CORP.

PANDUIT PART NUMBER **	PANEL THICKNESS	A ±0.013 (0.33)	B ±0.015 (0.38)	C +0.020 (0.51) -0.015 (0.38)	D +0.020 (0.51) -0.015 (0.38)	E REF.	F ±TOL.	G REF.	R REF.
GE_62F-A-C	0.036 - 0.062 (0.91 - 1.57)	0.031 (0.79)	0.070 (1.78)	0.130 (3.30)	0.030 (0.76)	0.131 (3.33)	0.105 +0.005 (0.13) (2.67) -0.025 (0.64)	0.150 (3.81)	0.06 (1.52)
GE_99F-A-C	0.062 - 0.099 (1.57 - 2.51)	0.049 (1.24)	0.108 (2.74)	0.155 (3.94)	0.030 (0.76)	0.169 (4.29)	0.125 +0.005 (0.13) (3.18) -0.025 (0.64)	0.150 (3.81)	0.06 (1.52)
GE_144F-A-C	0.099 - 0.144 (2.51 - 3.66)	0.080 (2.03)	0.152 (3.86)	0.192 (4.88)	0.030 (0.76)	0.213 (5.41)	0.160 +0.005 (0.13) (4.06) -0.035 (0.89)	0.150 (3.81)	0.06 (1.52)

**NOTES:**

- \* 1) DIM'S F & G APPLY ONLY TO SLOTTED GROMMET EDGING.
- \*\* 2) PART NO. EXAMPLE:  

GE	S	62	F	-	A	-	C	0
GROMMET EDGING		MAX. PANEL THICKNESS		F:POLYETHYLENE		A:ADHESIVE		WEATHER RESISTANT BLACK 100 FOOT ROLL
S-SOLID E-SLOTTED								
- 3) SEE CURRENT PRICE SHEET FOR PART NO. SUFFIX DESIGNATION FOR PACKAGE SIZE.
- 4) COLOR: a) NATURAL  
b) -0 AFTER PART NO. DENOTES WEATHER RESISTANT BLACK
- 5) THE ADHESIVE WIDTH IS TO STRETCH COMPLETELY ACROSS THE PRODUCT PROFILE.
- 6) SLOTTED WALL STYLE IS RECOMMENDED FOR INSIDE PANEL CUT OUTS.  
SOLID WALL STYLE IS RECOMMENDED FOR STRAIGHT, OUTSIDE EDGES.
- 7) REELS MAY CONTAIN A MAXIMUM OF THREE SPLICES



(DIMENSIONS IN PARENTHESES ARE IN METRIC.)

CAD FILENAME/LAYERS: G03597DN\_DC\_G00308BA\_07\_00A

**PANDUIT** CORP. TINLEY PARK, ILLINOIS

ADHESIVE LINED GROMMET EDGING  
(CUSTOMER DRAWING)

UNLESS OTHERWISE SPECIFIED, DIMENSIONAL TOLERANCES ARE:  
 (.X) ± .005 (XXX) ± .005  
 (.XX) ± .005 ANGLES ± .005

UNLESS OTHERWISE SPECIFIED, ALL DIMENSIONS ARE GIVEN IN INCHES, THIRD ANGLE PROJECTION.

REV	DATE	BY	CHK	DESCRIPTION	ECN	R	CUST	SUP	OC
7	5/21/13	LEF	VJS	A:ADDED NOTE #7 INDICATING # OF SPLICES B:ADDED "CUSTOMER DRAWING" TO TITLE BLK C:REPLACE TOLERANCES IN TITLE BLK WITH .005	GB0308BA	7	RAMI		
6	10/18/11	SHOR	VJS	ADDED TOLERANCES FOR A, B, C, & F	GB0308BA	6	RAMI		
5	10/27/03	JAD		UPDATED DIM. 'A' FOR EACH PRODUCT	GB0308BA	5			

DRAWN BY: CPE	MAT'L:	SCALE: NONE
DATE: 02/17/93	SEE NOTE #2	DRAWING NO. GB0308BA
CHK'D:		DWG SIZE: A