

19-IN. MINI-RACK CABINET, TYPE 1



INDUSTRY STANDARDS

NEMA Type 1
EIA 310-D / IEC 297-1
IEC 60529, IP40

APPLICATION

Aesthetics and flexibility make the Mini-Rack an ideal general purpose cabinet for 19-in. equipment used in a small office or in a testing or lab setting.

FEATURES

- Mini-rack will accommodate optional doors and rear panels on either the frame front or rear
- Side panels are removable for access and include foam gasket strips and ground stud
- Side mounting holes are spaced vertically at wide spacing (same as front/rear) to accommodate accessories
- Mounting surface on front of framework is recessed 1.30 in. (33 mm) to allow both rack mounting and door options. The rear mounting surface is recessed 2.36 in. (60 mm).
- 0.35-in. (9-mm) square holes in uprights accommodate cage nuts for mounting 19-in. rack equipment and accessories. Front and rear hole spacing comply with EIA 310-D / IEC 297-1 wide spacing for 19-in. mounting.

SPECIFICATIONS

- Framework is constructed from a die-cast aluminum top frame and bottom frame connected with four extruded aluminum uprights. Each upright includes two integral mounting flanges with mounting holes.
- Frame has a bottom opening and four rubber feet 15-mm tall x 24-mm diameter. Frames 20U tall have four aluminum feet 15-mm tall x 30-mm diameter.
- Includes two steel 18 gauge side panels. Side panels are removable for access and include foam gasket strips. Ground stud provided.
- 16 gauge steel top mounts flush on the top of the framework and closes top opening. Ground stud provided.

FINISH

Framework and flush top are painted with a stone-gray textured finish (RAL 7030). Sides are textured light gray (RAL 7035).

ACCESSORIES

See also *Accessories*.
Compact Cooling Fans
Incandescent Light Package
Rack- and Panel-Mount Power Distribution Unit (PDU)

BULLETIN: DEC1

Standard Product

Catalog Number	AxBxC mm/in.	E mm/in.	H mm/in.	W mm/in.
EMR9U6050	455 x 553 x 500 17.93 x 21.77 x 19.70	400 15.75	399 15.72	423 16.65
EMR12U6050	589 x 553 x 500 23.17 x 21.77 x 19.70	533 20.98	533 20.98	423 16.65
EMR12U6060	589 x 553 x 600 23.17 x 21.77 x 23.60	533 20.98	533 20.98	523 20.59
EMR16U6050	768 x 553 x 500 30.22 x 21.77 x 19.70	711 27.99	710 27.99	423 16.65
EMR16U6060	768 x 553 x 600 30.22 x 21.77 x 23.60	711 27.99	711 27.99	523 20.59
EMR20U6060	945 x 553 x 600 37.19 x 21.77 x 23.60	889 35.00	888 34.96	523 20.59

Add 15 mm to dimension A for standard feet.

Add 23 mm to dimension A for raised solid top.

Add 42.5 mm to dimension A for stationary base.

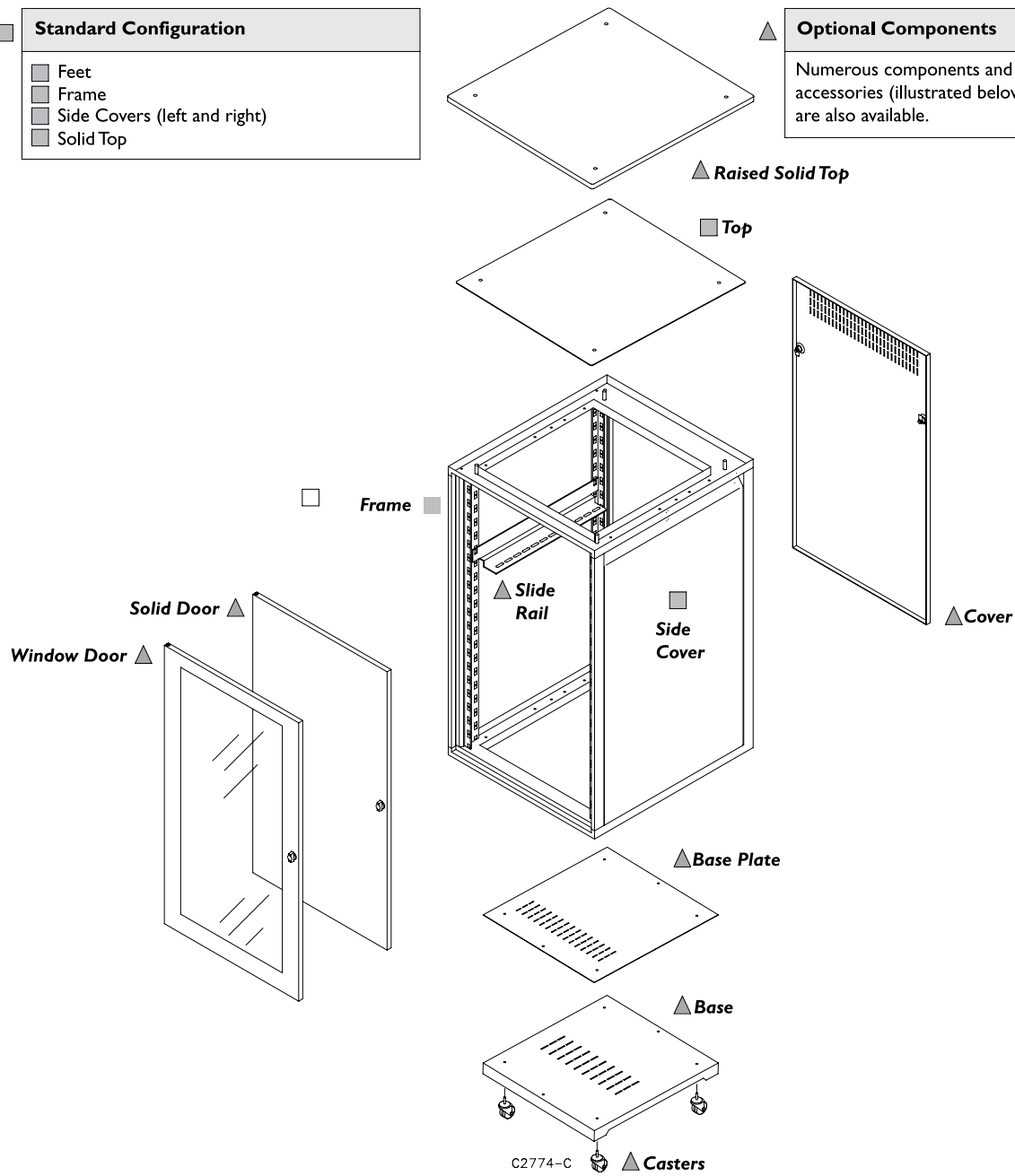
Add 80 mm to dimension A for stationary base with casters.

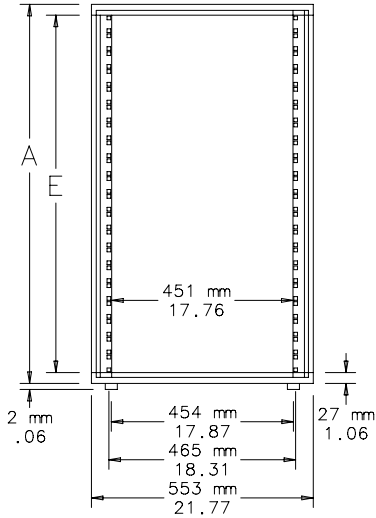
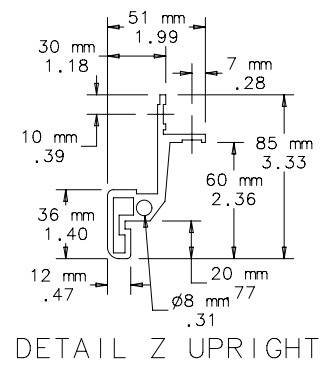
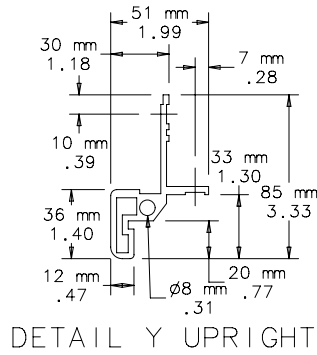
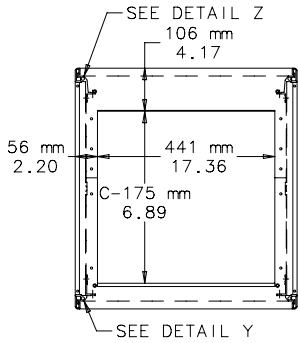
Standard Configuration

- Feet
- Frame
- Side Covers (left and right)
- Solid Top

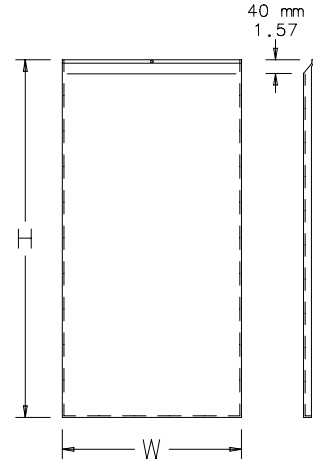
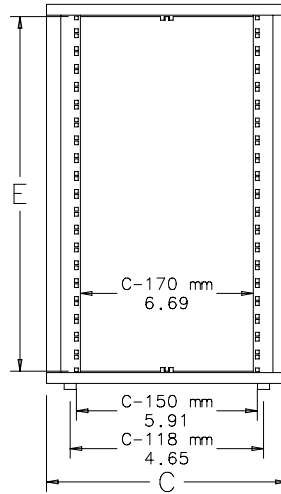
Optional Components

Numerous components and accessories (illustrated below) are also available.

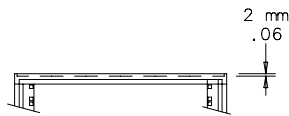




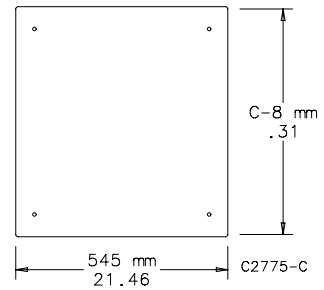
FRAME



SIDE PANEL



TOP COVER

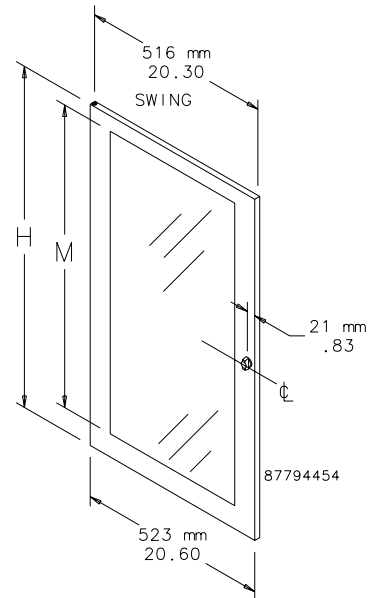


MINI-RACK CABINET WINDOW DOOR

Fits in the 33-mm (1.30-in.) front recess or 60-mm (2.36-in.) rear recess of door openings on a mini-rack. A 2-mm thick acrylic window is attached to the door frame with spring clips. The acrylic window is untinted and is field replaceable. The extruded aluminum door frame mounts flush and provides 27-mm (1.06-in.) space from the inside of the window to the rack mounting surface when installed to the front recess. The door has upper and lower hinge pins that fit into holes provided in the mini-rack. Door can be hinged on left or right. A keylocking latch is provided with 2 keys. The latch is black with a chrome lock insert. The door frame has provisions to attach a ground wire. Frame has a light gray (RAL 7035) textured finish. All mounting hardware and strips of foam gasket are furnished.

BULLETIN: DEC1

Catalog Number	H mm/in.	M mm/in.	Fits Cabinet
EMRPD9U	422 16.61	364 14.33	9U x 600
EMRPD12U	555 21.85	497 19.57	12U x 600
EMRPD16U	733 28.86	675 26.57	16U x 600
EMRPD20U	911 35.87	853 33.58	20U x 600

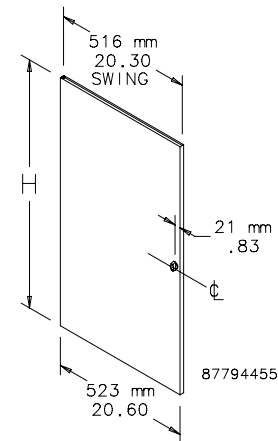


MINI-RACK CABINET SOLID DOOR

Fits into the 33-mm (1.30-in.) front recess or 60-mm (2.36-in.) rear recess of door openings on a mini-rack. The flush door provides 32-mm (1.26 in.) space from inside of door to rack mounting surface when installed in the front recess. The door is 1-mm thick steel and has upper and lower hinge pins that fit into holes provided in the mini-rack. Door can be hinged on left or right. A keylocking latch is provided with 2 keys. The latch is black with a chrome lock insert. A ground stud is provided. The door has a light-gray (RAL 7035) textured finish. All mounting hardware and strips of foam gasket are furnished.

BULLETIN: DEC1

Catalog Number	H mm/in.	Fits Cabinet
EMRSD9U	422 16.61	9U x 600
EMRSD12U	555 21.85	12U x 600
EMRSD16U	733 28.86	16U x 600
EMRSD20U	911 35.87	20U x 600

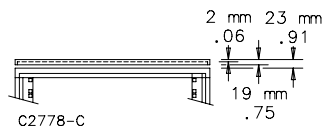
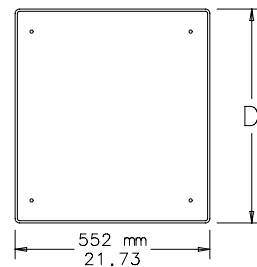


MINI-RACK CABINET RAISED SOLID TOP

Replaces flush solid top to provide a 4-mm (0.16-in.) ventilation opening around perimeter of top on mini-rack frame. The raised top extends mini-rack height 23 mm (0.91 in.). Top is 1.5-mm thick steel and mounts on steel spacers. A ground stud is provided. Finish is stone gray (RAL 7030). All mounting hardware is included.

BULLETIN: DEC1

Catalog Number	D mm/in.	Fits Cabinet
EMRRTC6050	499 19.65	600 x 500
EMRRTC6060	599 23.58	600 x 600

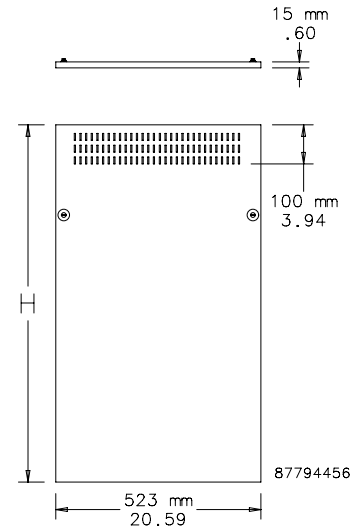


MINI-RACK CABINET COVER

Used to close off the front or rear opening in a mini-rack when door access is not required. Fits into the recessed opening for flush installation. Cover provides 59-mm [2.32-in.] space from inside of cover to rack mounting surface when installed in 60-mm [2.36-in.] rear recess. Two quarter-turn latches at the top and two pins in the bottom of the recessed opening secure the cover to the frame. The quarter-turn latches have slotted inserts. Three rows of ventilation slots are provided near the top of the cover. A ground stud is provided. The cover is 1-mm steel with a light-gray (RAL7035) textured finish. All mounting hardware and strips of foam gasket are furnished.

BULLETIN: DEC1

Catalog Number	H mm/in.	Fits Cabinet
EMRRP9U	425 16.73	9U x 600
EMRRP12U	558 21.97	12U x 600
EMRRP16U	736 28.98	16U x 600
EMRRP20U	914 35.98	20U x 600

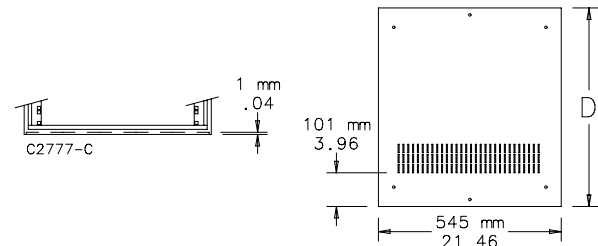


MINI-RACK CABINET BASE PLATE

Used to close off the open bottom of a mini-rack. It is a flat steel plate 1-mm thick with mounting holes and three rows of ventilation slots. A ground stud is provided. Plate has a stone-gray (RAL 7030) textured finish. Hardware is included for the mounting base plate into the recessed bottom exterior of a mini-rack.

BULLETIN: DEC1

Catalog Number	D mm/in.	Fits Cabinet
EMRBP6050	492 19.37	600 x 500
EMRBP6060	592 23.31	600 x 600

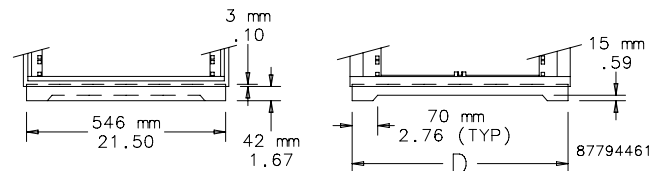


MINI-RACK CABINET BASE

Heavy duty stationary base provides a raised platform for the mini-rack cabinet. It also closes off the open bottom in the cabinet. The stationary base is 45-mm [1.77-in.] high, which elevates the mini-rack 42.5 mm [1.67 in.]. The base has 70-mm [2.76-in.] wide corner legs with a 15-mm [0.59-in.] high opening between legs. The base is 2.5-mm thick steel with mounting holes, three rows of ventilation slots and four embossed holes for mounting optional casters. A ground stud is provided. Finish is stone-gray textured (RAL 7030). Hardware is included for mounting the base into the recessed bottom exterior of the mini-rack.

BULLETIN: DEC1

Catalog Number	D mm/in.	Fits Cabinet
EMRSB6050	493 19.41	600 x 500
EMRSB6060	593 23.35	600 x 600

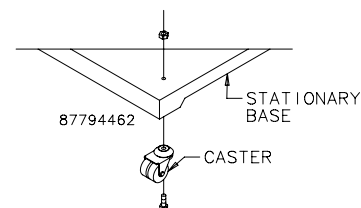


MINI-RACK CABINET CASTER KIT

A set of four dual-wheel casters provides mobility to the mini-rack. Casters only fit on the embossed holes provided in a stationary base. The casters and base elevate the mini-rack 80 mm [3.15 in.] when installed. Wheels are 50-mm [1.97-in.] diameter. Casters frames are steel with a plated finish. The non-locking casters have ball bearing pivots and hard plastic wheels. Mounting hardware is included. Four casters will support a maximum load of 530 lb. (240.4 kg).

BULLETIN: DEC1

Catalog Number	Description
EMRCK	1 set of 4 casters

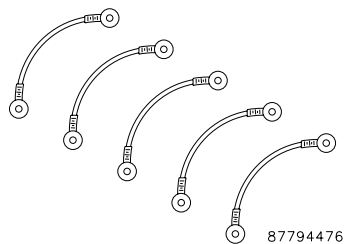


MINI-RACK AND RACK CABINET GROUNDING KIT

Includes five copper wires 4-sq.-mm diameter with ring terminals on both ends. Wires, 170-mm (6.69-in.) long, have striped green/yellow PVC insulation. Kit includes toothed washers and bolts to attach wires to frame uprights. Grounding kit meets VDE 0160 and VDE 0411 part 100.

BULLETIN: DEC1

Catalog Number	Description
EERGDK	5 wires and hardware

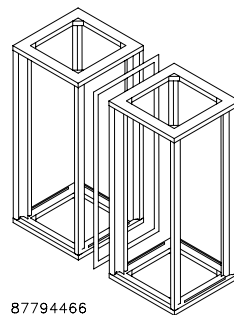


MINI-RACK CABINET JOINING KIT

19-in. electronic mini-rack cabinets can be joined by removing the adjacent side panels. Joining kit includes spacers and bolts as well as strips of foam gasket to connect two frames side-to-side.

BULLETIN: DEC1

Catalog Number	Description
EMRGK	Gasket and hardware



MINI-RACK CABINET SLIDE RAILS

Rails support heavy 19-in. subracks when they are installed in a frame. Rails attach horizontally to side openings on each side of the frame. Mounting holes are slotted to provide vertical adjustment. Flat surface of rails have slotted holes for attaching equipment. Slide rails are 2-mm steel with a plated finish, furnished in pairs and include mounting hardware. Maximum load capacity is 88 lb. (39.9 kg) per pair.

BULLETIN: DEC1

Catalog Number	L mm/in.	Fits Cabinet
EMRSR50	368 14.49	500 mm deep
EMRSR60	468 18.43	600 mm deep

