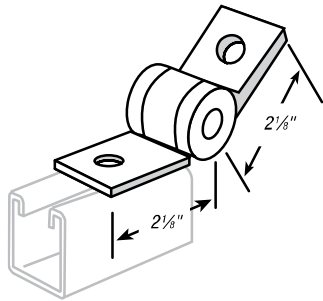
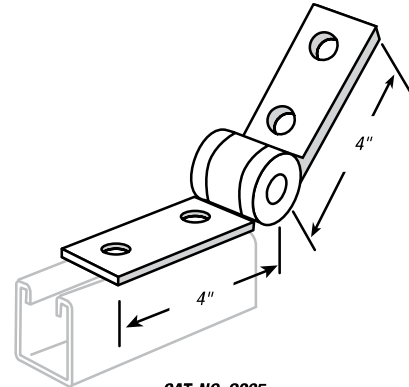


Fittings and Brackets

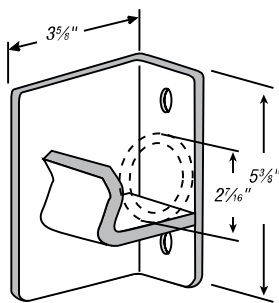
Special Application Fittings



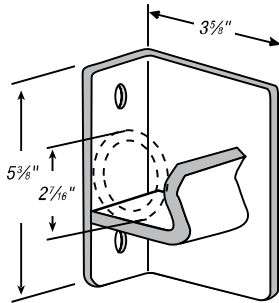
CAT. NO. Q202



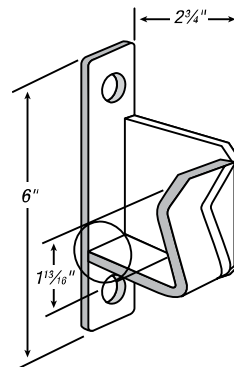
CAT. NO. Q205



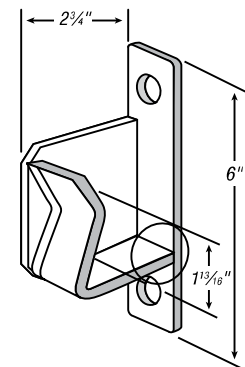
CAT. NO. Q255
For 2" standard pipe.
Load 1,500 lbs.



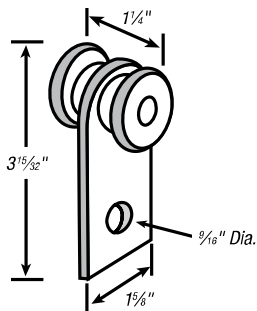
CAT. NO. Q256
For 2" standard pipe.
Load 1,500 lbs.



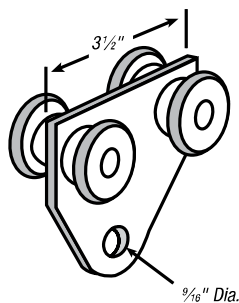
CAT. NO. Q253
For 1 1/4" standard pipe.
Load 1,500 lbs.



CAT. NO. Q254
For 1 1/4" standard pipe.
Load 1,500 lbs.



CAT. NO. TR292
Frictionless needle bearings.
Design load: 500 lbs.
Safety factor of 5.



CAT. NO. TR294
Frictionless needle bearings.
Design load: 1,000 lbs.
Safety factor of 5.

.....Standard Dimensions.....

- Hole Spacing: 1/16" From End
- Hole Spacing: 1 7/8" Centers
- Hole Size: 5/16" Diameter
- Material: 1 5/8" Width
- Material: 1/4" Thick

Standard Finish – GoldGalv®, unless otherwise stated.
Add EG suffix for SilverGalv® Finish