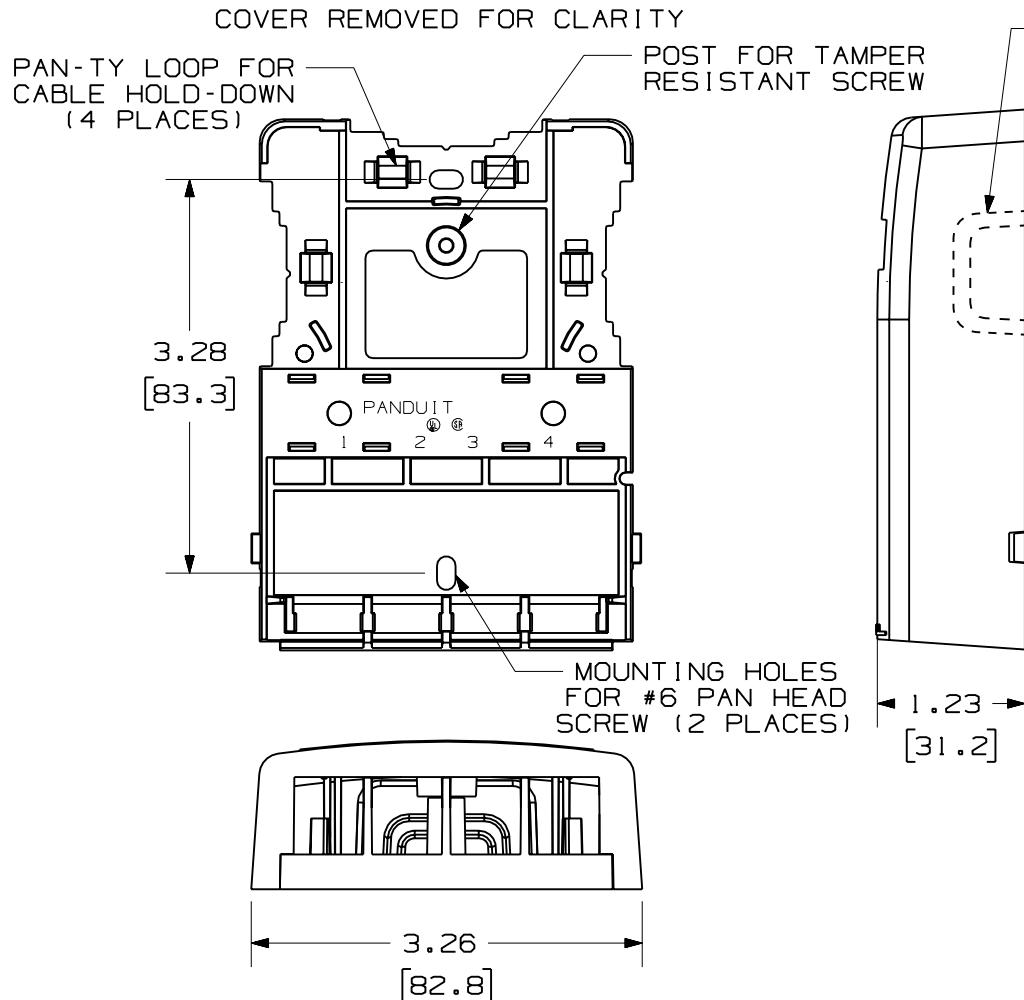


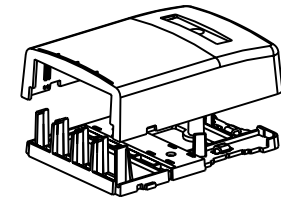
THIS COPY IS PROVIDED ON A RESTRICTED BASIS AND IS NOT TO BE USED IN ANY WAY DETRIMENTAL TO THE INTERESTS OF PANDUIT CORP.



PANDUIT PART NO.	WEIGHT
NK4BX**-AY	1.2 LB/10 PCS (530.0 g/10 PCS)

NOTES:

- SEE CURRENT CATALOG FOR ADDITIONAL PART NUMBER SUFFIXES TO INDICATE COLOR AND OR PACKAGE QUANTITY.
- SEE CATALOG FOR A COMPLETE LIST OF PARTS APPLICABLE FOR USE WITH THIS PART.
- DIMENSIONS IN PARENTHESES ARE IN METRIC.
- ALSO INCLUDED WITH BOX:
  - 1- BOX BASE
  - 1- BOX COVER
  - 2- PLT1.51-C PAN-TY
  - 2- MOUNTING SCREW
  - 1- MOUNTING SCREW (USED TO SECURE COVER TO BASE)
  - 1- LABEL/LABEL COVER
  - 2- STRIP OF 1.25" X .75" FOAM TAPE FOR MOUNTING
- BREAKOUTS DESIGNED TO ACCEPT LD3/LDP3 OR LD5/LDP5 RACEWAY.
- BASE MATERIAL THICKNESS= .090( 2.29 ).



NO WARRANTY, EXPRESSED OR IMPLIED, IS MADE BY PANDUIT WITH RESPECT TO ADHESIVE BOND PERFORMANCE. AMONG OTHER THINGS, THE CONDITIONS UNDER WHICH THESE MOUNTS MAY BE APPLIED AND/OR THE SURFACE TO WHICH THEY MAY BE APPLIED ARE BEYOND PANDUIT'S CONTROL.

DRAWING FILENAME	M02479BB_DC028_00A.PRT	SIZE	A
------------------	------------------------	------	---

NETKEY 4 POSITION SURFACE MOUNT BOX CUSTOMER DRAWING

<p><b>PANDUIT</b>® CORP. TINLEY PARK, IL 60477</p>	I.I. NUMBER	N/A
	PRODUCT SPEC	N/A
<p>THIRD ANGLE PROJECTION</p>	WORK INSTRUCTION	N/A
	SCALE	NONE
DRAWN BY JsP	MATERIAL:	PART NO. NK4BX**-AY
DATE 5-2-07	ABS	DRAWING NO. 02479-028
CHK'D		

REV	DATE	BY	CHK	DESCRIPTION	ECN	R	CUST	SUP	OTH
R	5-2-07	JsP		RELEASED TO PRODUCTION	02479-028				