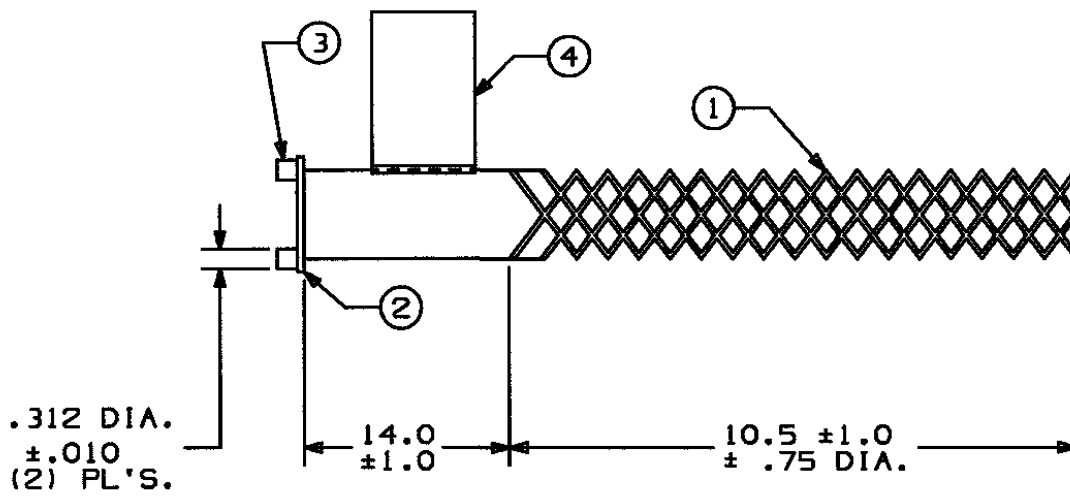


COMPONENT LIST

ITEM NO.	DESCRIPTION	MAT'L	COMPONENT NO.	QTY.
1	STRAND	T.B.	302-01-003	
2	LINK	BRZ	372-55-002	1
3	LUG	BRZ	372-56-011	2
4	TAG	MYLAR	309-77-0245	1



IN ACCEPTING OUR DRAWINGS OR BLUEPRINTS FOR QUOTATION OR OTHER PURPOSES, YOU AGREE NOT TO DISCLOSE TO OTHERS THE IDEAS, INFORMATION, OR DESIGNS THEREIN SHOWN, AND THAT YOU WILL MAKE NO USE OF OUR DRAWINGS OR BLUEPRINTS OR OF THE IDEAS, INFORMATION, OR DESIGNS THEREIN SHOWN WITHOUT OUR PERMISSION.

TITLE:

GRIP - HEAVY DUTY - SERVICE DROP
 CLOSED MESH, SINGLE-DOUBLE WEAVE
 UNIVERSAL BALE
 DIA. RA. .70-.81
 DESCRIPTION: NAU-12
 APP. BRK. STR. (LBS.) = 1390

TOLERANCES UNLESS OTHERWISE SPECIFIED
 .XX = $\pm .05$
 .XXX = $\pm .015$
 .XXXX = $\pm .0025$
 ANGLE TOL. $\pm 2^\circ$

HUBBELL INCORPORATED
 KELLEMS DIVISION
 STONINGTON, CT

DR. BY: KJW	APP. BY: MLF
TR. BY	SCALE NONE
CHK. BY	DATE: 3/19/93

DR. NO.

022-17-024

REV.

G