

REMOVABLE HINGE WITH QUICK-RELEASE LATCH, CONTOURED, TYPE 12

INDUSTRY STANDARDS

UL 508A Listed; Type 12, 13; File No. E61997
 cUL Listed per CSA C22.2 No. 94; Type 12, 13; File No. E61997
 NEMA/EEMAC Type 12 and 13
 IEC 60529, IP65

APPLICATION

Featuring a quick-release latch and mounting brackets, this hinged cover junction box made out of drawn steel offers rounded corners and smooth construction. It can be used in applications where a panel for mounting of controls is desired and protection of equipment from indoor contaminants is required.

SPECIFICATIONS

- Drawn 16 gauge steel
- No welded seams or sharp corners
- Removable door with unique lift-off hinges
- Cover is removable and interchangeable
- Unique lift-off hinges
- Quick-release latches
- Oil-resistant gasket
- Weldnuts provided for mounting optional panels and terminal block kits
- External welded-on mounting brackets for easy installation
- Bonding provision on door

FINISH

ANSI 61 gray polyester powder paint inside and out

ACCESSORIES

Panels for Junction Boxes
 Terminal Block Kit Assembly for Junction Boxes Overview
 Steel and Stainless Steel Window Kits

MODIFICATION AND CUSTOMIZATION

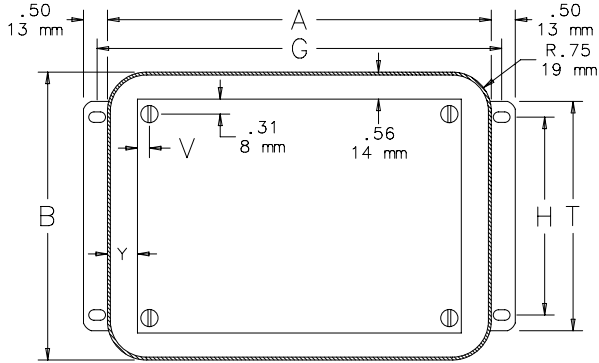
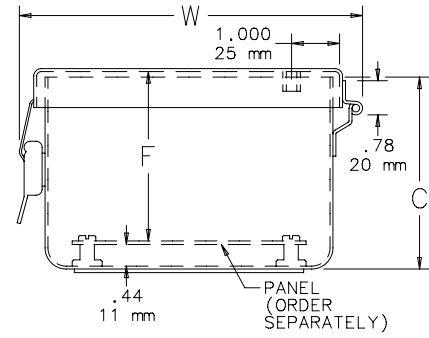
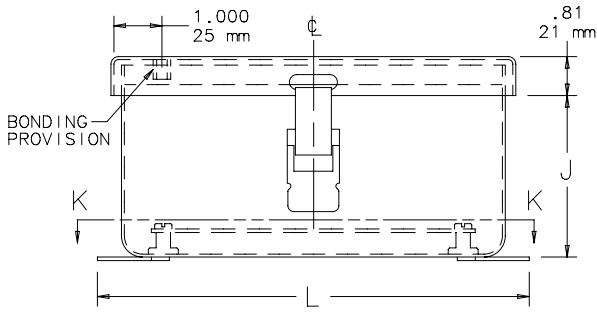
Hoffman excels at modifying and customizing products to your specifications. Contact your local Hoffman sales office or distributor for complete information.

BULLETIN: A51

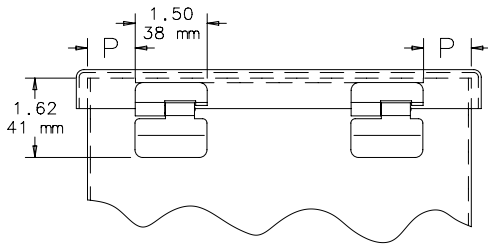
Standard Product

| Catalog Number | AxBxC in./mm | Panel | Conductive Panel | Panel Size in./mm | Mounting G x H in./mm | Overall L x W in./mm | F in./mm | J in./mm | P in./mm | T in./mm | V in./mm | Y in./mm |
|----------------|----------------------|--------|------------------|-------------------|-----------------------|----------------------|----------|----------|----------|----------|----------|----------|
| A664DL | 6.00 x 6.00 x 4.00 | A6P6 | A6P6G | 4.88 x 4.88 | 6.50 x 4.12 | 7.00 x 7.12 | 3.59 | 3.33 | 1.00 | 4.75 | 0.31 | 0.56 |
| | 152 x 152 x 102 | | | 124 x 124 | 165 x 105 | 178 x 181 | 91 | 85 | 25 | 121 | 8 | 14 |
| A864DL | 8.00 x 6.00 x 4.00 | A8P6 | A8P6G | 6.75 x 4.88 | 8.50 x 4.12 | 9.00 x 7.12 | 3.59 | 3.33 | 1.00 | 4.75 | 0.25 | 0.62 |
| | 203 x 152 x 102 | | | 171 x 124 | 216 x 105 | 229 x 181 | 91 | 85 | 25 | 121 | 6 | 16 |
| A1084DL | 10.00 x 8.00 x 4.00 | A10P8 | A10P8G | 8.75 x 6.88 | 10.50 x 4.12 | 11.00 x 9.12 | 3.59 | 3.33 | 1.00 | 4.75 | 0.25 | 0.62 |
| | 254 x 203 x 102 | | | 222 x 175 | 267 x 105 | 279 x 232 | 91 | 85 | 25 | 121 | 6 | 16 |
| A12104DL | 12.00 x 10.00 x 4.00 | A12P10 | A12P10G | 10.75 x 8.88 | 12.50 x 8.12 | 13.00 x 11.12 | 3.59 | 3.33 | 1.25 | 8.75 | 0.25 | 0.62 |
| | 305 x 254 x 102 | | | 273 x 226 | 318 x 206 | 330 x 282 | 91 | 85 | 32 | 222 | 6 | 16 |
| A666DL | 6.00 x 6.00 x 6.00 | A6P6 | A6P6G | 4.88 x 4.88 | 6.50 x 4.12 | 7.00 x 7.12 | 5.59 | 5.33 | 1.00 | 4.75 | 0.31 | 0.56 |
| | 152 x 152 x 152 | | | 124 x 124 | 165 x 105 | 178 x 181 | 142 | 135 | 25 | 121 | 8 | 14 |
| A866DL | 8.00 x 6.00 x 6.00 | A8P6 | A8P6G | 6.75 x 4.88 | 8.50 x 4.12 | 9.00 x 7.12 | 5.59 | 5.33 | 1.00 | 4.75 | 0.25 | 0.62 |
| | 203 x 152 x 152 | | | 171 x 124 | 216 x 105 | 229 x 181 | 142 | 135 | 25 | 121 | 6 | 16 |
| A1086DL | 10.00 x 8.00 x 6.00 | A10P8 | A10P8G | 8.75 x 6.88 | 10.50 x 4.12 | 11.00 x 9.12 | 5.59 | 5.33 | 1.00 | 4.75 | 0.25 | 0.62 |
| | 254 x 203 x 152 | | | 222 x 175 | 267 x 105 | 279 x 232 | 142 | 135 | 25 | 121 | 6 | 16 |
| A12106DL | 12.00 x 10.00 x 6.00 | A12P10 | A12P10G | 10.75 x 8.88 | 12.50 x 8.12 | 13.00 x 11.12 | 5.59 | 5.33 | 1.25 | 8.75 | 0.25 | 0.62 |
| | 305 x 254 x 152 | | | 273 x 226 | 318 x 206 | 330 x 282 | 142 | 135 | 32 | 222 | 6 | 16 |
| A12108DL | 12.00 x 10.00 x 8.00 | A12P10 | A12P10G | 10.75 x 8.88 | 12.50 x 8.12 | 13.00 x 11.12 | 7.59 | 7.33 | 1.25 | 8.75 | 0.25 | 0.62 |
| | 305 x 254 x 203 | | | 273 x 226 | 318 x 206 | 330 x 282 | 193 | 186 | 32 | 222 | 6 | 16 |

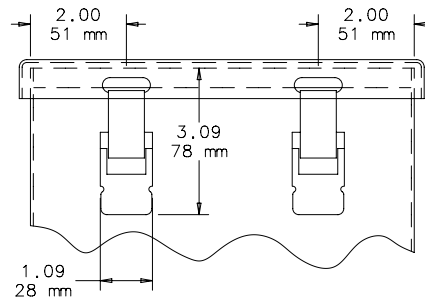
Purchase panels separately. Optional stainless steel, conductive, composite and aluminum panels are available for most sizes.



SECTION K-K



View showing hinge side of box.



87573750

View showing latch side of box when two latches are used. When A=12.00 (305mm), use two latches.