

BALDOR® • ***RELIANCE***

Product Information Packet

GC3330

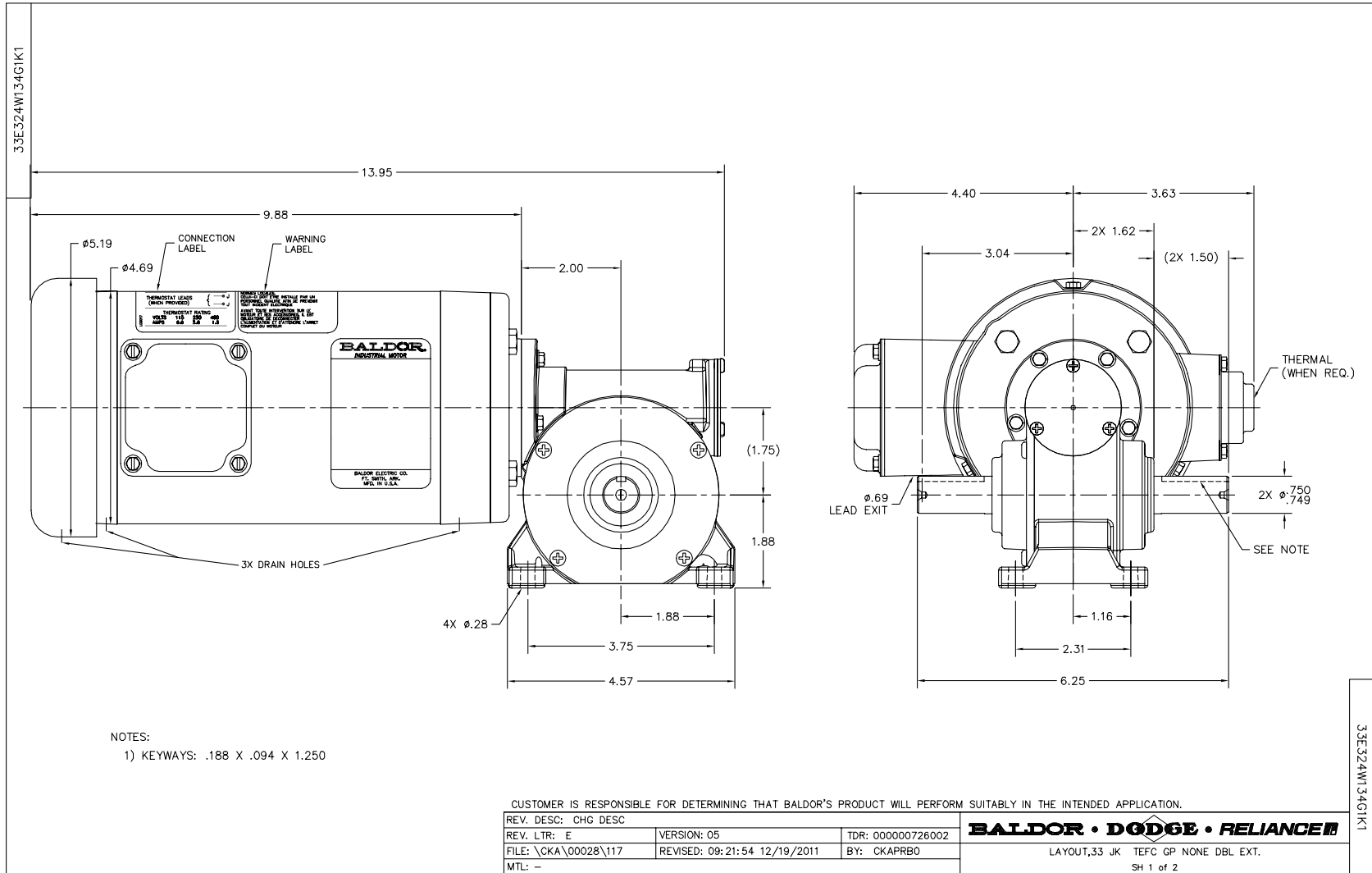
115VAC 22.5:1

Part Detail							
Revision:	W	Status:	PRD/A	Change #:		Proprietary:	No
Type:	AC	Elec. Spec:	33WGW134	CD Diagram:	CD0182A01	Mfg Plant:	
Mech. Spec:		Layout:	33E324W134G1K1	Poles:	04	Created Date:	08-12-2005
Base:		Eff. Date:	09-15-2017	Leads:	4#18		Y

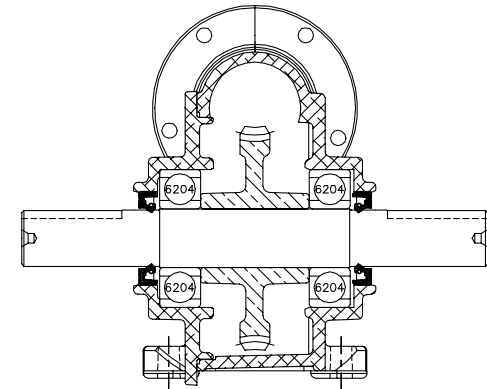
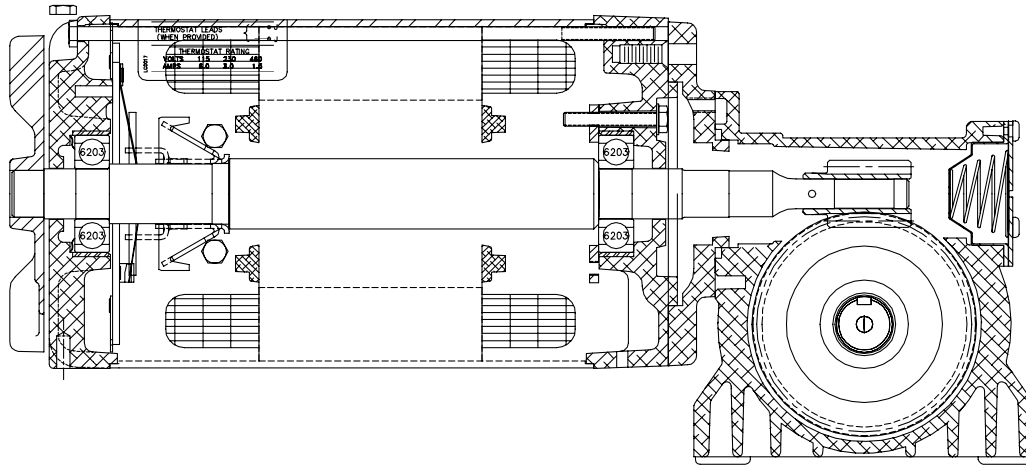
Specs			
Enclosure:	TEFC		
Gearhead Type:	RIGHT ANGLE		
Gear Ratio:	22.5:1		
Gear Style:	JK		
Connection Diagram:	CD0182A01		
Dimensional Drawing Numbers:	33E324W134G1K1		
Duty Rating:	CONT		
Frame Material:	Steel		
Insulation Class:	F		
KVA Code:	P		

Nameplate NP1220A07	
CAT.NO.	GC3330
SER.NO.	
SPEC.	33E324W134G1K1
HP	.25 TE
VOLTS	115
AMP	4.2
HZ	60
AMB.	40
CAP	
SER.F.	1.00
R.P.M.	74
TORQ/IN LB	125
RATIO	22.5:1
APRV-CSA	
APRV-UL	
DUTY	PH 1
CODE	CONT
	P
	CLASS F

No performance data has been assigned to this product.



33E324W134G1K1



33E324W134G1K1

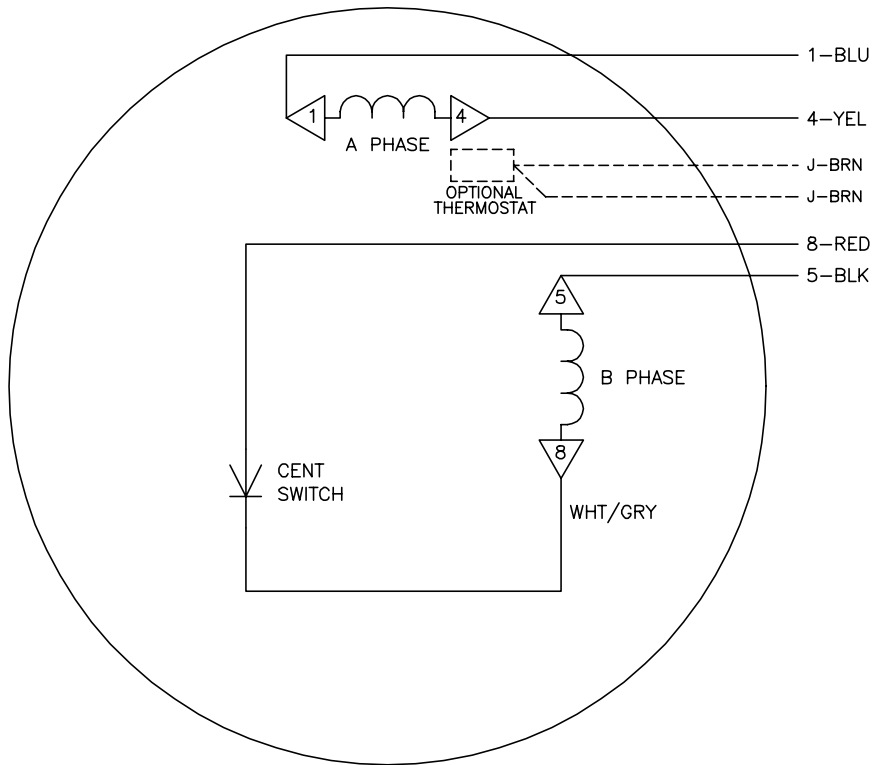
CUSTOMER IS RESPONSIBLE FOR DETERMINING THAT BALDOR'S PRODUCT WILL PERFORM SUITABLY IN THE INTENDED APPLICATION.

REV. DESC: CHG DESC	VERSION: 05	TDR: 000000726002
REV. LTR: E	REvised: 09:21:54 12/19/2011	BY: CKAPRBO
FILE: \CKA\00028\117		
MTL: -		

BALDOR • DODGE • RELIANCE


LAYOUT,33 JK TEFC GP NONE DBL EXT.
SH 2 of 2

CD0182A01



	LINE A	LINE B
STD	1,8	4,5
OPP	1,5	4,8

NOTES:

1. STANDARD ROTATION IS CCW FACING LEAD END
2. OPTIONAL THERMOSTAT IS PROVIDED WHEN SPECIFIED.
3. LEAD COLORS ARE OPTIONAL. LEADS MUST ALWAYS BE NUMBERED AS SHOWN.
4.  = MAGNET WIRE COIL END WITH I.D. NUMBER

REV. DESC: NEW			
REV. LTR: -	VERSION: 00	TDR: 000000435106	
10VZ810C	FILE: \CKA\00032\298	REVISED: 15:19:10 06/19/2007	
CD0182A01	MTL: -	BY: CKNATLO	

Baldor • Dodge • Reliance

TYPE S, SV, REV, 4 LD, CK

CD0182A01