

EXGJH and EXLK Flexible Couplings

Explosionproof, Dust-Ignitionproof

UNILETS™ for Use with Threaded Rigid Metal Conduit and IMC.

NEC/CEC — 1/2" and 3/4" Sizes:
Class I, Groups A, B, C, D
Class II, Groups E, F, G
Class III

NEC/CEC — 1" Size:
Class I, Groups C, D
Class II, Groups E, F, G
Class III

NEC/CEC — 1-1/4" thru 4" Sizes:
Class I, Group D
Class II, Groups E, F, G
Class III

ATEX: — stainless steel 1/2" thru
2" Sizes:
Ex d IIC GD
Ex t IIIC Db
IP66

Applications

- Used in areas where vibration and/or movement is a problem. Also used in place of rigid conduit in difficult-bend situations.

Features

- Explosionproof, dust-ignitionproof, watertight
- Smooth, rounded integral bushing in each hub protects conductor insulation.
- Accurately tapped, tapered threads for tight, rigid joints and ground continuity.
- Heavy duty design resists mechanical abuse.
- Electrical conductivity equal to rigid conduit on a similar length basis—no bonding jumper required.
- Interior insulating liner protects conductors from abrasion under vibrating conditions.
- EXGJH: both end fittings are female, each furnished with a removable male nipple.
- EXLK: female end fitting with union at one end and a female end fitting with a removable male nipple at the other end.

Standard Materials

- 1/2" thru 2": outer bronze braid, inner brass core with insulating liner
- 2-1/2" thru 4": outer stainless steel braid, inner stainless steel core with insulating liner
- End Fittings: 1/2" thru 2"—brass; 2-1/2" thru 4"—stainless steel
- Unions: 1/2" thru 1" zinc plated steel; 1-1/4" thru 2" ductile iron

Standard Finishes

- Natural finish

Options

- 1/2" through 2" available in stainless steel. Add suffix **-SS**. EXLK Union is zinc plated steel. Stainless steel union available in 1/2" through 1". Add suffix **-SU**.
- 1/2" through 1" stainless steel nipple. Add suffix **-NS**
- Custom lengths available—consult factory

NEC/CEC Certifications and Compliances

- UL Standard: 886 (1203)
- UL Listed: E10444
- CSA Standard: C22.2 No. 25, C22.2 No. 30
- CSA Certified: 065181

ATEX Certifications and Compliances

- Certification Type FLEXCO (*Excludes Nipples and Unions*)
 - Gas, Zones 1 and 2:
 - Conforming to ATEX 94/9/EC: Ex II 2G
 - Type of Protection: Ex d IIC Gb
 - Dusts, Zones 21 and 22:
 - Conforming to ATEX: Ex II 2D
 - Type of Protection: Ex t IIIC Db
- Ambient Temperatures: -40 °C ≤ to ≤ + 150 °C (-40 °F ≤ to ≤ + 302 °F)
- Ex Standards: EN 60079-0, 60079-1, EN 60079-31
- ATEX Certificate: LCIE 11 ATEX 3006U
- Index of Protection according EN/IEC 60529: IP66



EXGJH

Suitable for Wet Locations – Two Removal Male Nipples



EXLK

One Removal Male Nipple, One Removable Union

EXGJH and EXLK Flexible Couplings

Explosionproof, Dust-Ignitionproof

UNILETS™ for Use with Threaded Rigid Metal Conduit and IMC.

NEC/CEC — 1/2" and 3/4" Sizes:
Class I, Groups A, B, C, D
Class II, Groups E, F, G
Class III

NEC/CEC — 1" Size:
Class I, Groups C, D
Class II, Groups E, F, G
Class III

NEC/CEC — 1-1/4" thru 4" Sizes:
Class I, Group D
Class II, Groups E, F, G
Class III

ATEX: — stainless steel 1/2" thru
2" Sizes:
Ex d IIC Gb
Ex t IIIC Db
IP66

Size (Inches)		Catalog Number	
Flex Length	Diameter Size	EXGJH	EXLK
4	1/2	EXGJH-14 ◊	EXLK-14 ◊
4	3/4	EXGJH-24 ◊	EXLK-24 ◊
6	1/2	EXGJH-16 ◊	EXLK-16 ◊
6	3/4	EXGJH-26 ◊	EXLK-26 ◊
6	1	EXGJH-36	EXLK-36
8	1/2	EXGJH-18 ◊	EXLK-18 ◊
8	3/4	EXGJH-28 ◊	EXLK-28 ◊
8	1	EXGJH-38	EXLK-38
10	1/2	EXGJH-110 ◊	EXLK-110 ◊
10	3/4	EXGJH-210 ◊	EXLK-210 ◊
10	1	EXGJH-310	EXLK-310
12	1/2	EXGJH-112 ◊	EXLK-112 ◊
12	3/4	EXGJH-212 ◊	EXLK-212 ◊
12	1	EXGJH-312	EXLK-312
12	1-1/4	EXGJH-412	EXLK-412
12	1-1/2	EXGJH-512	EXLK-512
12	2	EXGJH-612	EXLK-612
12	2-1/2	EXGJH-712	
12	3	EXGJH-812	
12	4	EXGJH-1012	
15	1/2	EXGJH-115 ◊	EXLK-115 ◊
15	3/4	EXGJH-215 ◊	EXLK-215 ◊
15	1	EXGJH-315	EXLK-315
15	1-1/4	EXGJH-415	EXLK-415
15	1-1/2	EXGJH-515	EXLK-515
15	2	EXGJH-615	EXLK-615
15	2-1/2	EXGJH-715	
15	3	EXGJH-815	
15	4	EXGJH-1015	
18	1/2	EXGJH-118 ◊	EXLK-118 ◊
18	3/4	EXGJH-218 ◊	EXLK-218 ◊
18	1	EXGJH-318	EXLK-318
18	1-1/4	EXGJH-418	EXLK-418
18	1-1/2	EXGJH-518	EXLK-518
18	2	EXGJH-618	EXLK-618
18	2-1/2	EXGJH-718	
18	3	EXGJH-818	
18	4	EXGJH-1018	
21	1/2	EXGJH-121 ◊	EXLK-121 ◊
21	3/4	EXGJH-221 ◊	EXLK-221 ◊
21	1	EXGJH-321	EXLK-321
21	1-1/4	EXGJH-421	EXLK-421
21	1-1/2	EXGJH-521	EXLK-521
21	2	EXGJH-621	EXLK-621
21	2-1/2	EXGJH-721	
21	3	EXGJH-821	
21	4	EXGJH-1021	

Size (Inches)		Catalog Number	
Flex Length	Diameter Size	EXGJH	EXLK
24	1/2	EXGJH-124 ◊	EXLK-124 ◊
24	3/4	EXGJH-224 ◊	EXLK-224 ◊
24	1	EXGJH-324	EXLK-324
24	1-1/4	EXGJH-424	EXLK-424
24	1-1/2	EXGJH-524	EXLK-524
24	2	EXGJH-624	EXLK-624
24	2-1/2	EXGJH-724	—
24	3	EXGJH-824	—
24	4	EXGJH-1024	—
27	1/2	EXGJH-127 ◊	EXLK-127 ◊
27	3/4	EXGJH-227 ◊	EXLK-227 ◊
27	1	EXGJH-327	EXLK-327
27	1-1/4	EXGJH-427	EXLK-427
27	1-1/2	EXGJH-527	EXLK-527
27	2	EXGJH-627	EXLK-627
27	2-1/2	EXGJH-727	
27	3	EXGJH-827	
27	4	EXGJH-1027	
30	1/2	EXGJH-130 ◊	EXLK-130 ◊
30	3/4	EXGJH-230 ◊	EXLK-230 ◊
30	1	EXGJH-330	EXLK-330
30	1-1/4	EXGJH-430	EXLK-430
30	1-1/2	EXGJH-530	EXLK-530
30	2	EXGJH-630	EXLK-630
30	2-1/2	EXGJH-730	
30	3	EXGJH-830	
30	4	EXGJH-1030	
33	1/2	EXGJH-133 ◊	EXLK-133 ◊
33	3/4	EXGJH-233 ◊	EXLK-233 ◊
33	1	EXGJH-333	EXLK-333
33	1-1/4	EXGJH-433	EXLK-433
33	1-1/2	EXGJH-533	EXLK-533
33	2	EXGJH-633	EXLK-633
33	2-1/2	EXGJH-733	
33	3	EXGJH-833	
33	4	EXGJH-1033	
36	1/2	EXGJH-136 ◊	EXLK-136 ◊
36	3/4	EXGJH-236 ◊	EXLK-236 ◊
36	1	EXGJH-336	EXLK-336
36	1-1/4	EXGJH-436	EXLK-436
36	1-1/2	EXGJH-536	EXLK-536
36	2	EXGJH-636	EXLK-636
36	2-1/2	EXGJH-736	
36	3	EXGJH-836	
36	4	EXGJH-1036	

NOTE: Unions are not available in stainless steel.

◊ Indicates items in the shaded area which are UL Listed for Class I, Groups A, B, C, D; Class II, Groups E, F, G; Class III.

HAZARDOUS LOCATION FITTINGS: NEC/CEC EXPLOSIONPROOF CONDUIT FITTINGS



EXGJH and EXLK Flexible Couplings

Explosionproof, Dust-Ignitionproof, Watertight

UNILETS™ for Use with Threaded Rigid Metal Conduit and IMC.

NEC/CEC — 1/2" and 3/4" Sizes:
Class I, Groups A, B, C, D
Class II, Groups E, F, G
Class III

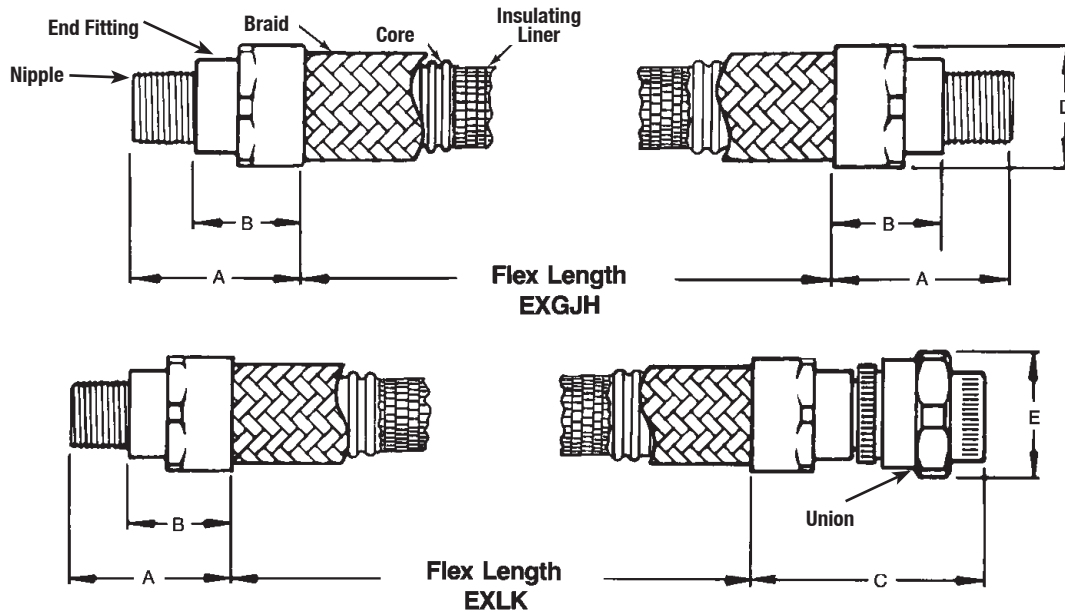
NEC/CEC — 1" Size:
Class I, Groups C, D
Class II, Groups E, F, G
Class III

NEC/CEC — 1-1/4" thru 4" Sizes:
Class I, Group D
Class II, Groups E, F, G
Class III

ATEX: — stainless steel 1/2" thru
2" Sizes:
Ex d IIC GD
Ex t IIIC Gb
IP66

EXGJH and EXLK Dimensions in Millimeters (Inches)

Coupling Size	A	B	C	D	E	Bending Radius ①
1/2	52.4 (2.06)	34.9 (1.38)	76.2 (3.00)	35.7 (1.41)	37.3 (1.47)	254.0 (10.00)
3/4	57.2 (2.25)	34.9 (1.38)	82.6 (3.25)	44.5 (1.75)	44.5 (1.75)	304.8 (12.00)
1	68.3 (1.69)	44.5 (1.75)	92.1 (3.63)	52.4 (2.06)	50.8 (2.00)	355.6 (14.00)
1-1/4	76.2 (3.00)	51.6 (2.03)	111.1 (4.38)	66.7 (2.63)	71.4 (2.81)	406.4 (16.00)
1-1/2	85.7 (3.38)	55.6 (2.19)	115.9 (4.56)	79.4 (3.13)	77.8 (3.06)	406.4 (16.00)
2	100.0 (3.94)	61.9 (2.44)	125.4 (4.94)	98.4 (3.88)	94.5 (3.72)	457.2 (18.00)
2-1/2	101.6 (4.00)	66.7 (2.63)	158.8 (6.25)	114.3 (4.50)	123.8 (4.88)	381.0 (15.00)
3	102.4 (4.03)	66.7 (2.63)	158.8 (6.25)	127.8 (5.03)	136.5 (5.38)	584.2 (23.00)
4	104.0 (4.09)	66.7 (2.63)	161.9 (6.38)	168.3 (6.63)	163.5 (6.44)	1219.2 (48.00)



① Bending Radius shown is minimum recommended.