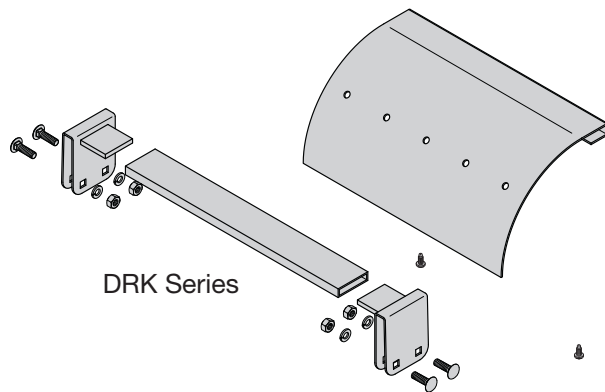
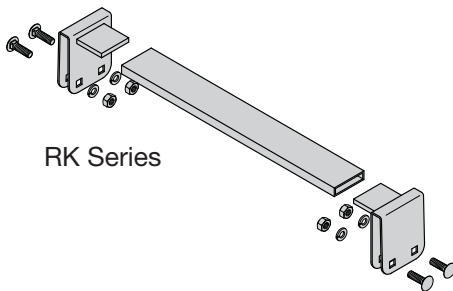
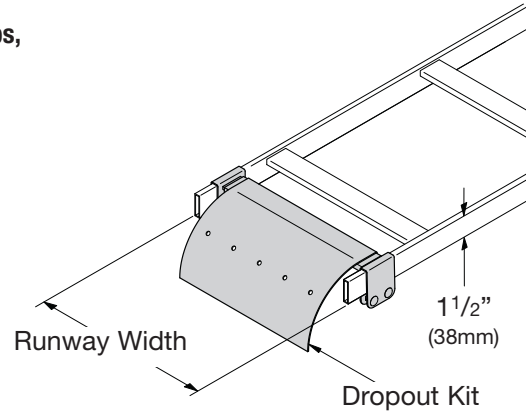


## Rung Drop-Out Kit

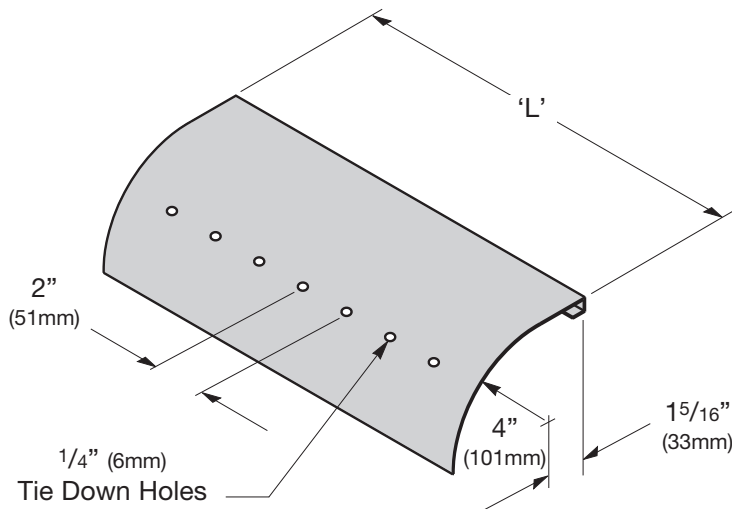
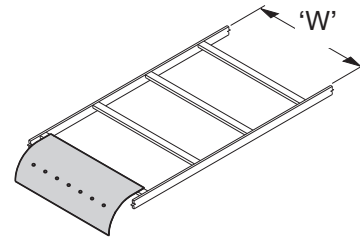
- Used to insert an extra rung on existing runway sections to accommodate cable drops.
- Attaches to 1 1/2" (38mm) x 3/8" (9mm) stringers.
- Compatible with all 1 1/2" (38mm) stringer runway styles.
- SB17RK series rungs include: (1) rung, (2) rung clips, and assembly hardware.
- SB17DRK series drop-out kits include: (1) rung, (2) rung clips, (1) runway dropout, and assembly hardware.
- Steel construction
- Finish \_\_\_ : Yellow Zinc (YZ),  
Telco Gray Powder Coat (TG) or  
Flat Black Powder Coat (FB)  
(Other finishes are available upon request)



Part Number RK Series	Part Number DRK Series	Runway Width 'W'		Weight Each			
		In.	(mm)	RK Series Lbs.	(kg)	DRK Series Lbs.	(kg)
SB17RK05___	SB17DRK05___	5"	(127)	0.9	(0.41)	1.4	(0.63)
SB17RK06___	SB17DRK06___	6"	(152)	0.9	(0.41)	1.6	(0.72)
SB17RK09___	SB17DRK09___	9"	(228)	1.1	(0.50)	2.3	(1.04)
SB17RK12___	SB17DRK12___	12"	(305)	1.3	(0.59)	3.0	(1.36)
SB17RK15___	SB17DRK15___	15"	(381)	1.5	(0.68)	3.6	(1.63)
SB17RK18___	SB17DRK18___	18"	(457)	1.6	(0.72)	4.3	(1.93)
SB17RK20___	SB17DRK20___	20"	(508)	1.8	(0.81)	4.8	(2.17)
SB17RK24___	SB17DRK24___	24"	(609)	2.0	(0.91)	5.7	(2.58)
SB17RK30___	SB17DRK30___	30"	(762)	2.4	(1.09)	7.1	(3.22)
SB17RK36___	SB17DRK36___	36"	(914)	2.7	(1.22)	8.4	(3.81)

## Steel Runway Drop-Out

- Use to provide a smooth radius for cable exit.
- SB2129 Series fits channel or tube rungs 1/2" (13mm) x 1" (25mm).
- SB2129U Series fits rungs 3/8" (9mm) x 1 1/2" (38mm).
- Cable tie down holes provided.
- 4" (102mm) cable bend radius.
- Includes: self-drilling screws.
- Material: 18 Gauge (1.2mm) ASTM A569 steel
- Finish\_\_\_: Yellow Zinc (YZ),  
Telco Gray Powder Coat (TG) or  
Flat Black Powder Coat (FB)  
(Other finishes are available upon request)



CABLE RUNWAYS & ACCESSORIES

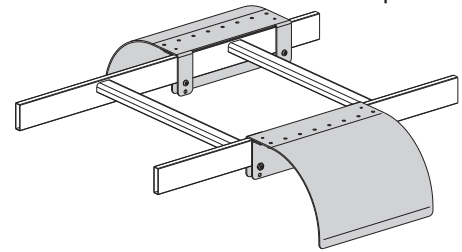
Part Number		Dropout Width 'L'		Runway Width 'W'		Weight	
SB2129 Series	SB2129U Series	In.	(mm)	In.	(mm)	Lbs.	(kg)
SB212906___	SB2129U06___	4"	(101)	6"	(152)	0.7	(0.31)
SB212909___	SB2129U09___	7"	(178)	9"	(228)	1.2	(0.54)
✓ SB212912___	SB2129U12___	10"	(254)	12"	(305)	1.7	(0.77)
SB212915___	SB2129U15___	13"	(330)	15"	(381)	2.2	(0.99)
✓ SB212918___	SB2129U18___	16"	(406)	18"	(457)	2.7	(1.22)
SB212920___	SB2129U20___	18"	(457)	20"	(508)	3.0	(1.36)
SB212924___	SB2129U24___	22"	(559)	24"	(609)	3.7	(1.67)
SB212930___	SB2129U30___	28"	(711)	30"	(762)	4.7	(2.13)
SB212936___	SB2129U36___	34"	(863)	36"	(914)	5.7	(2.58)

✓ FB is a popular item

## Side Drop-Out

- Allows for cable to exit from side of cable runway stringer.
- Provides a radius bend in accordance with EIA recommendations.
- Will fit either 3/8" (9mm) x 1 1/2" (38mm) or 2" (51mm) stringers.
- Includes installation hardware.
- Material: 14 ga. (1.9mm) ASTM A36 steel
- Finish \_\_\_: Yellow Zinc (YZ),  
Telco Gray Powder Coat (TG) or  
Flat Black Powder Coat (FB)  
(Other finishes are available upon request)

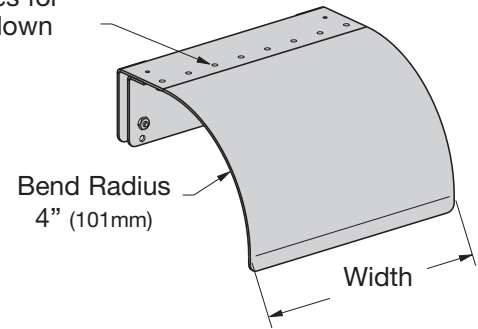
Installation Example



Part Number	Width		Weight	
	In.	(mm)	Lbs.	(kg)
✓ SB2129SD06__	5"	(127)	1.8	(0.8)
✓ SB2129SD09__	7 3/4"	(197)	1.8	(0.8)
✓ SB2129SD12__	10 1/4"	(260)	2.0	(0.9)
SB2129SD18__	16 3/4"	(425)	3.9	(1.7)
SB2129SD24__	22 1/4"	(565)	5.1	(2.3)

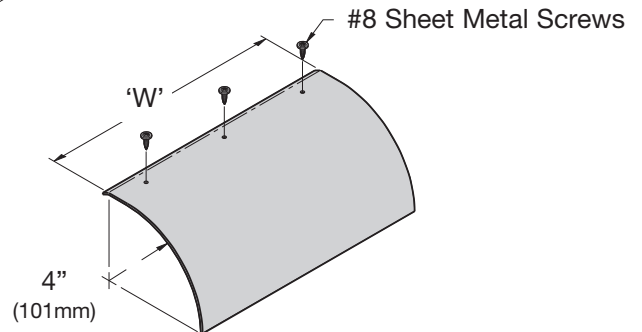
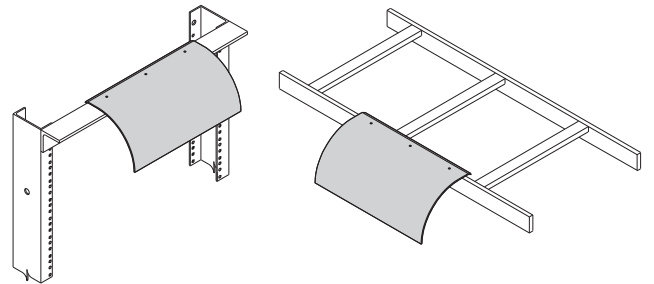
✓ BZ & YZ are popular items

Holes for tiedown



## Universal Drop-Out

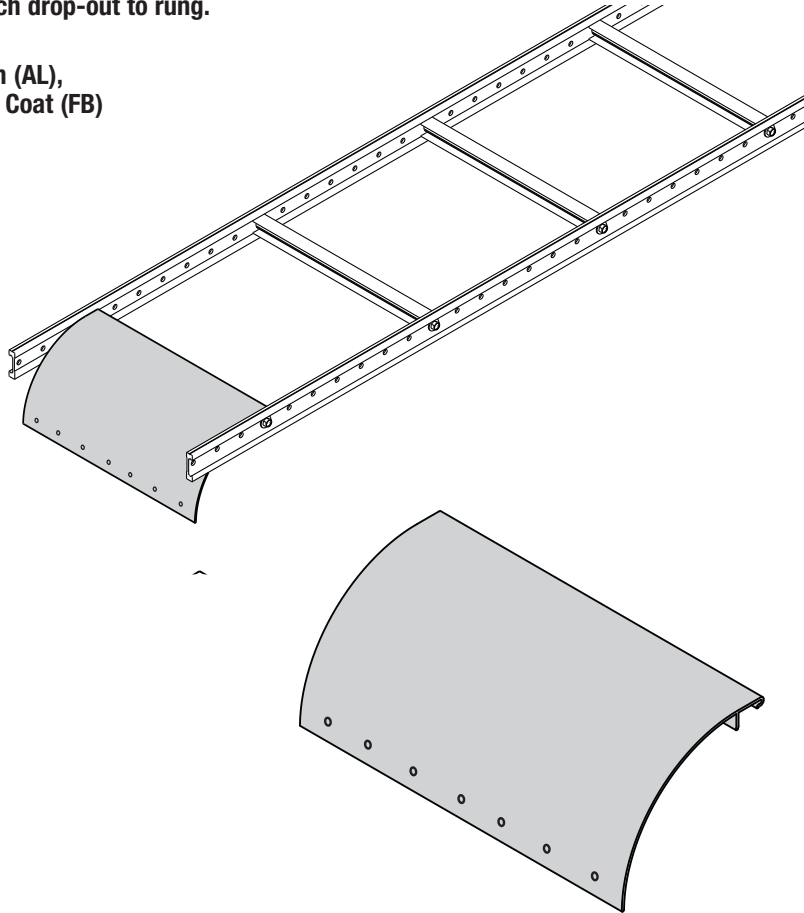
- Drop-out can be used on both cable runway and relay racks.
- Provides a radius bend in accordance with EIA recommendations.
- Attaches with sheet metal screws (included).
- Material: Aluminum
- Finish \_\_\_: Brushed Aluminum (AL),  
Telco Gray Powder Coat (TG),  
Computer White Powder Coat (CW) or  
Flat Black Powder Coat (FB)



Part Number	'W'		# of Screws	Weight	
	In.	(mm)		Lbs.	(kg)
SB78706__	5.44	(138)	2	0.3	(0.13)
SB78712__	11.44	(290)	3	0.7	(0.32)
SB78718__	17.44	(443)	4	1.1	(0.50)

## Drop-Out for Aluminum C-Channel Stringer Only

- Provides a radius bend in accordance with EIA recommendations.
- Fits SB13AL style stringer only (not compatible with welded runways).
- No hardware required to attach drop-out to rung.
- Material: Aluminum
- Finish \_\_\_: Brushed Aluminum (AL),  
Flat Black Powder Coat (FB)



Part Number	Width		Weight	
	In.	(mm)	Lbs.	(kg)
SB13ALDO06 __	5.24"	(184)	0.4	(0.18)
SB13ALDO09 __	8.24"	(209)	0.7	(0.32)
SB13ALDO12 __	11.24"	(285)	0.9	(0.41)
SB13ALDO18 __	17.24"	(438)	1.4	(0.63)
SB13ALDO24 __	23.24"	(590)	1.9	(0.86)
SB13ALDO30 __	29.24"	(742)	2.3	(1.04)
SB13ALDO36 __	35.24"	(895)	2.7	(1.22)