



**Project:**

**Type:**

**Prepared By:**

**Date:**

Use to add a motion sensor to RAB garage lights. Mounts over any shape recessed box and covers stains and gaps. Available in bronze and white for ceiling and pendant mounted garage lights.

Color: Bronze

Weight: 0.4 lbs

**Technical Specifications**

**Other**

**Description:**

The ceiling backbox is perfect for adding sensors or making splices to any pendant fixture. Surface mounts over any shape box and covers unsightly stains or gaps. Five (1/2") conduit entries enable wiring directly from the back or through the sides using surface conduit.

**Buy American Act Compliance:**

RAB values USA manufacturing! Upon request, RAB may be able to manufacture this product to be compliant with the Buy American Act (BAA). Please contact customer service to request a quote for the product to be made BAA compliant.

**Listings**

**UL Listed:**

Suitable for wet locations. Covered Ceiling Mount Only. When used with RAB GPLED fixtures.

**Construction**

**Housing:**

Precision die-cast aluminum

**Mounting:**

Pendant provided by others. Threads are 1/2 inch NPS. Stem insertion depth not to exceed 5/8 inch. Lock screw provided on fixture.

**Plugs:**

Die cast aluminum with clean threads and gasket for weatherproof seal

**Gaskets:**

High-temperature silicone

**Finish:**

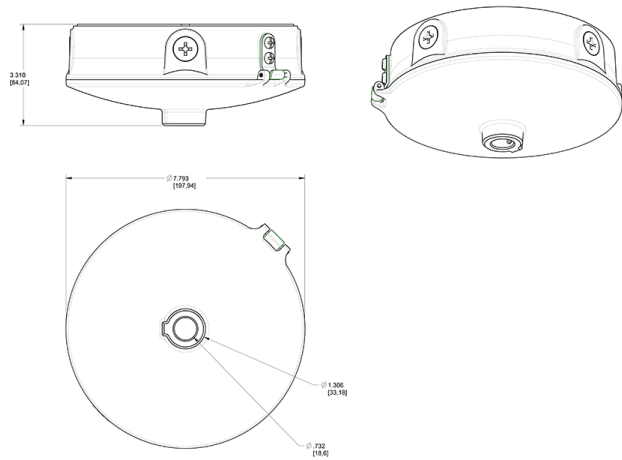
Formulated for high durability and long-lasting color

**Electrical**

**Wiring:**

Five holes. One on the back of the box, four on the sides for using surface conduit.

**Dimensions**



**Features**

- Great for adding a sensor to RAB LED garage fixtures
- Surface mounts over any shape box
- Covers unsightly stains and gaps
- Conduit entries enable wiring directly from the back or through the sides using surface conduit