

# **BALDOR**® • *RELIANCE*

## Product Information Packet

# **EFM3218T-8**

**5HP,1750RPM,3PH,60HZ,184T,3640M,OPSB,F2**

Part Detail							
Revision:	J	Status:	PRD/A	Change #:		Proprietary:	No
Type:	AC	Elec. Spec:	36WGS761	CD Diagram:	CD0006	Mfg Plant:	
Mech. Spec:	36B106	Layout:	36LYB106	Poles:	04	Created Date:	06-29-2011
Base:	RG	Eff. Date:	07-19-2017	Leads:	3#14		

Specs			
Catalog Number:	EFM3218T-8	Inverter Code:	Inverter Ready
Enclosure:	OPSB	KVA Code:	J
Frame:	184T	Lifting Lugs:	No Lifting Lugs
Frame Material:	Steel	Locked Bearing Indicator:	No Locked Bearing
Output @ Frequency:	5.000 HP @ 60 HZ	Motor Lead Quantity/Wire Size:	3 @ 14 AWG
Synchronous Speed @ Frequency:	1800 RPM @ 60 HZ	Motor Lead Exit:	Ko Box
Voltage @ Frequency:	200.0 V @ 60 HZ	Motor Lead Termination:	Flying Leads
XP Class and Group:	None	Motor Type:	3640M
XP Division:	Not Applicable	Mounting Arrangement:	F2
Agency Approvals:	CSA	Power Factor:	80
	CSA EEV	Product Family:	General Purpose
	UR	Pulley End Bearing Type:	Ball
Auxillary Box:	No Auxillary Box	Pulley Face Code:	Standard
Auxillary Box Lead Termination:	None	Pulley Shaft Indicator:	Standard
Base Indicator:	Rigid	Rodent Screen:	None
Bearing Grease Type:	Polyrex EM (-20F +300F)	Shaft Extension Location:	Pulley End
Blower:	None	Shaft Ground Indicator:	No Shaft Grounding
Current @ Voltage:	15.300 A @ 200.0 V	Shaft Rotation:	Reversible

<b>Design Code:</b>	B	<b>Shaft Slinger Indicator:</b>	No Slinger
<b>Drip Cover:</b>	No Drip Cover	<b>Speed Code:</b>	Single Speed
<b>Duty Rating:</b>	CONT	<b>Motor Standards:</b>	NEMA
<b>Electrically Isolated Bearing:</b>	Not Electrically Isolated	<b>Starting Method:</b>	Direct on line
<b>Feedback Device:</b>	NO FEEDBACK	<b>Thermal Device - Bearing:</b>	None
<b>Front Face Code:</b>	Standard	<b>Thermal Device - Winding:</b>	None
<b>Front Shaft Indicator:</b>	None	<b>Vibration Sensor Indicator:</b>	No Vibration Sensor
<b>Heater Indicator:</b>	No Heater	<b>Winding Thermal 1:</b>	None
<b>Insulation Class:</b>	F	<b>Winding Thermal 2:</b>	None

<b>Nameplate NP3553L</b>										
<b>CAT.NO.</b>	EFM3218T-8									
<b>SPEC</b>	36B106S761G1									
<b>HP</b>	5									
<b>VOLTS</b>	200									
<b>AMPS</b>	15.3									
<b>RPM</b>	1750									
<b>FRAME</b>	184T				<b>HZ</b>	60			<b>PH</b>	3
<b>SF</b>	1.15		<b>CODE</b>	J	<b>DES</b>	B		<b>CLASS</b>	F	
<b>NEMA NOM. EFF</b>	89.5		<b>PF</b>	80						
<b>RATING</b>	40C AMB-CONT									
<b>CC</b>	010A				<b>USABLE AT 208V</b>					
<b>ENCL</b>	OPSB		<b>SER</b>							
<b>DE</b>	6206			<b>ODE</b>	6205					
<b>VPWM INVERTER READY</b>										
<b>CT30-60(2:1) VT3-60(20:1)</b>										

**AC Induction Motor Performance Data**

Record # 34572 - Typical performance - not guaranteed values

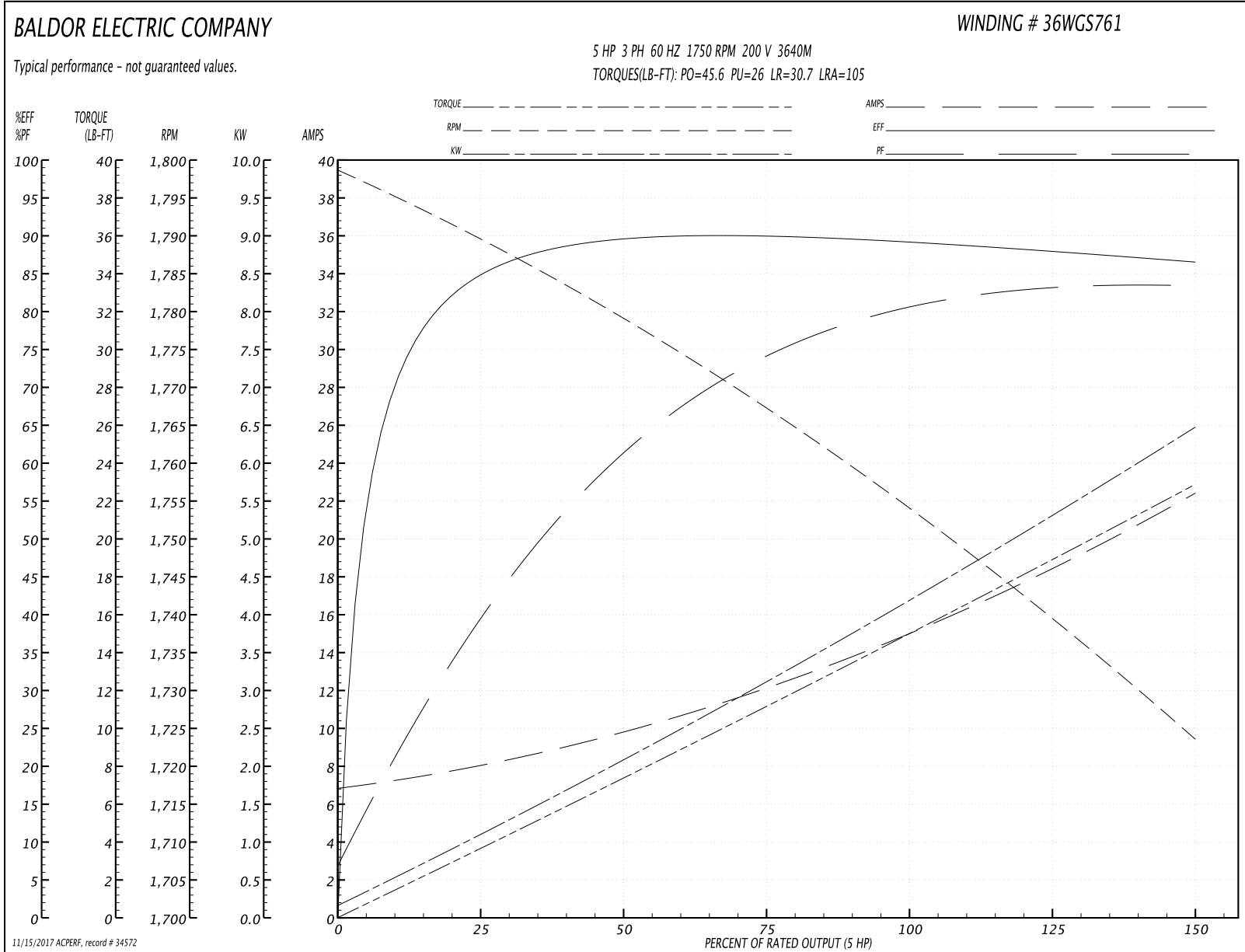
<b>Winding:</b> 36WGS761-R001	<b>Type:</b> 3640M	<b>Enclosure:</b> OPSB
-------------------------------	--------------------	------------------------

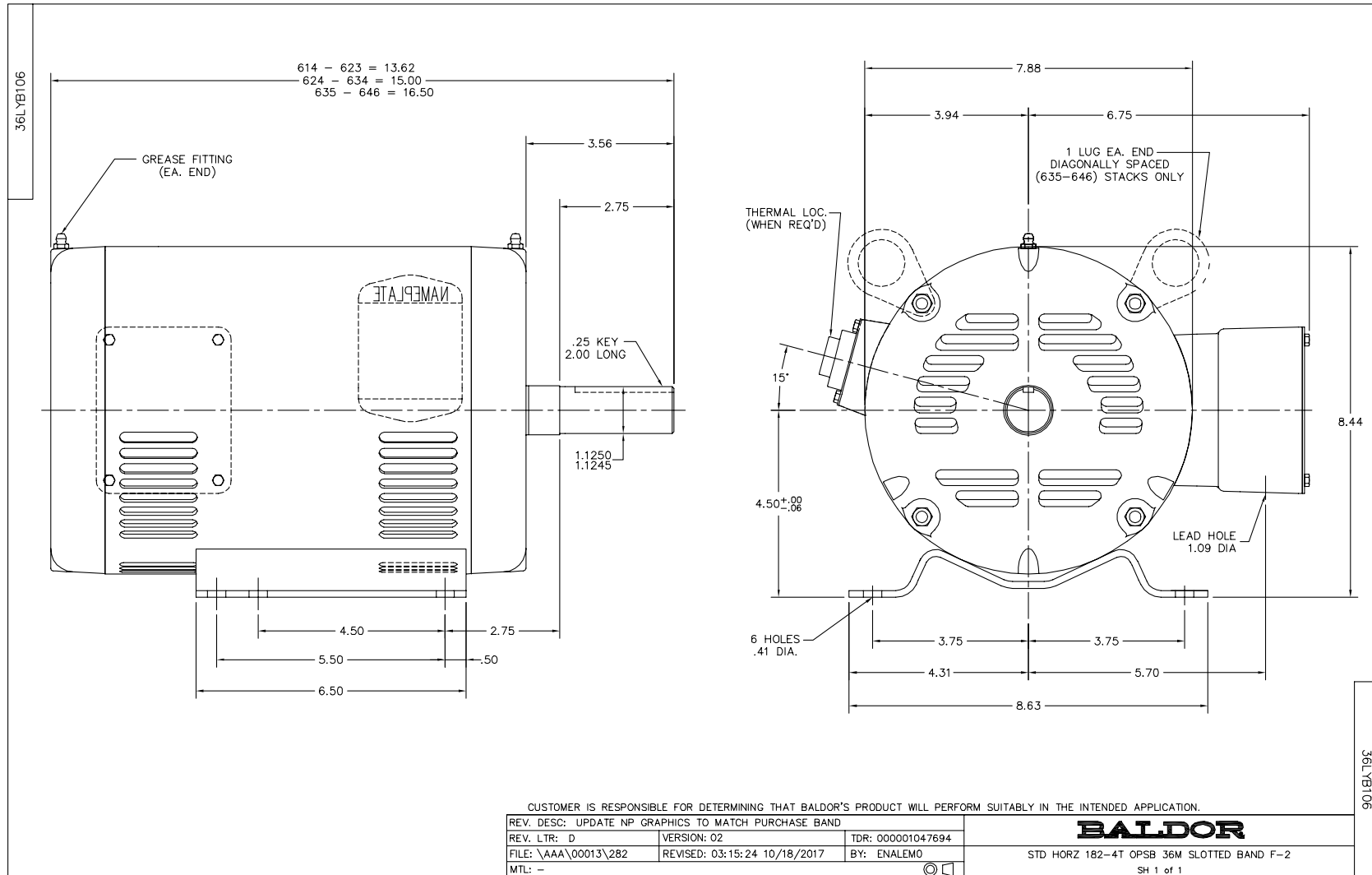
Nameplate Data				200 V, 60 Hz: Single Voltage Motor	
Rated Output (HP)	5			Full Load Torque	15 LB-FT
Volts	200			Start Configuration	direct on line
Full Load Amps	15.3			Breakdown Torque	45.6 LB-FT
R.P.M.	1750			Pull-up Torque	26 LB-FT
Hz	60	Phase	3	Locked-rotor Torque	30.7 LB-FT
NEMA Design Code	B	KVA Code	J	Starting Current	105 A
Service Factor (S.F.)	1.15			No-load Current	7.02 A
NEMA Nom. Eff.	89.5	Power Factor	80	Line-line Res. @ 25°C	0.495 Ω
Rating - Duty	40C AMB-CONT			Temp. Rise @ Rated Load	44°C
S.F. Amps				Temp. Rise @ S.F. Load	54°C
				Locked-rotor Power Factor	41
				Rotor inertia	0.372 LB-FT <sup>2</sup>

Load Characteristics 200 V, 60 Hz, 5 HP

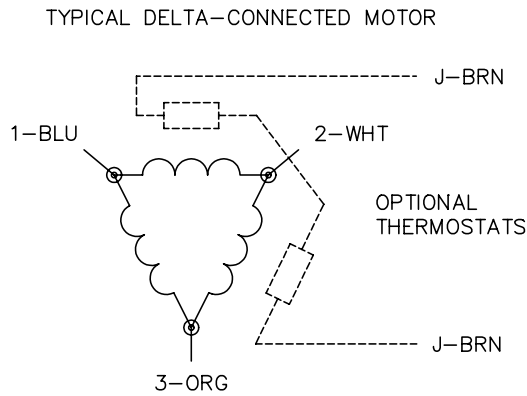
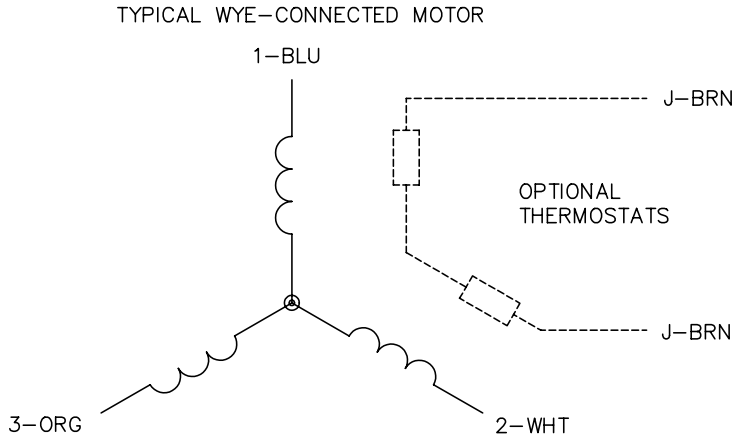
% of Rated Load	25	50	75	100	125	150	S.F.
Power Factor	42	63	74	79	83	84	81
Efficiency	84.1	89.1	89.9	89.5	88.4	86.3	88.8
Speed	1789	1779	1767	1754	1740	1723	1746
Line amperes	7.84	9.68	12.2	15.2	18.6	22.3	17.2

Performance Graph at 200V, 60Hz, 5.0HP Typical performance - Not guaranteed values





CD0006



NOTES:

1. THREE LEAD MOTOR MAY BE EITHER WYE CONNECTED OR DELTA CONNECTED.
2. INTERCHANGE ANY TWO LINE LEADS TO REVERSE ROTATION.
3. OPTIONAL THERMOSTATS ARE PROVIDED WHEN SPECIFIED.
4. ACTUAL NUMBER OF INTERNAL PARALLEL CIRCUITS MAY VARY.
5. LEAD COLORS ARE OPTIONAL. LEADS MUST BE NUMBERED AS SHOWN.

REV. DESC: REVISE TO SHOW OPTIONAL COLORS			
REV. LTR: D	BY: JLP	REVISED: 01/21/99 4:02	TDR: 0171435
9000D		FILE: AAA00005141	MDL: -
		MTL: -	

**BALDOR ELECTRIC Co.**

3PH, SV, 3 LEADS, WYE OR DELTA CONNECTED

CD0006