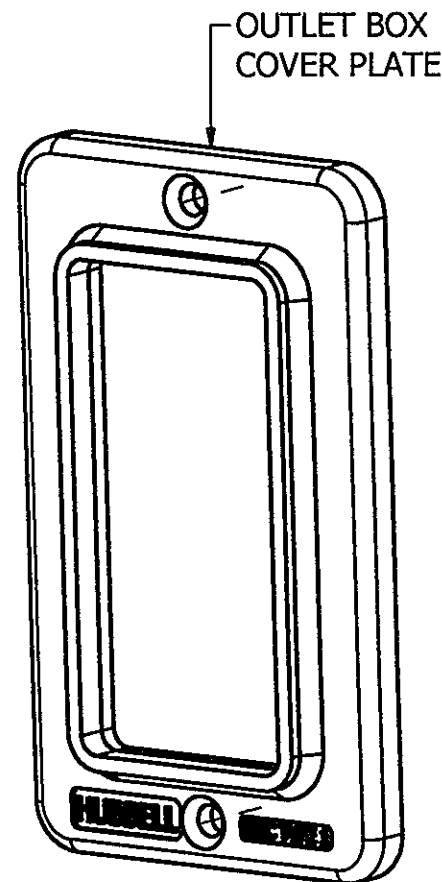
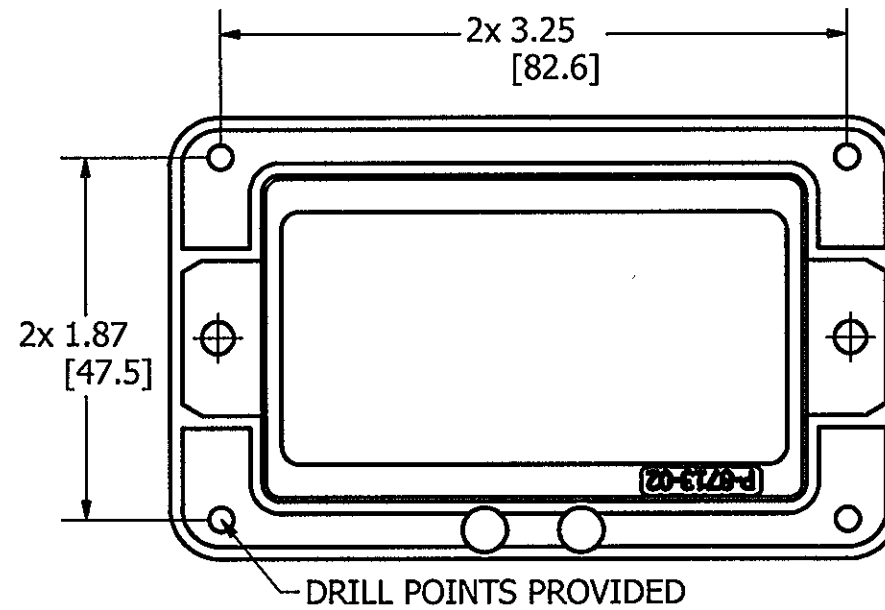
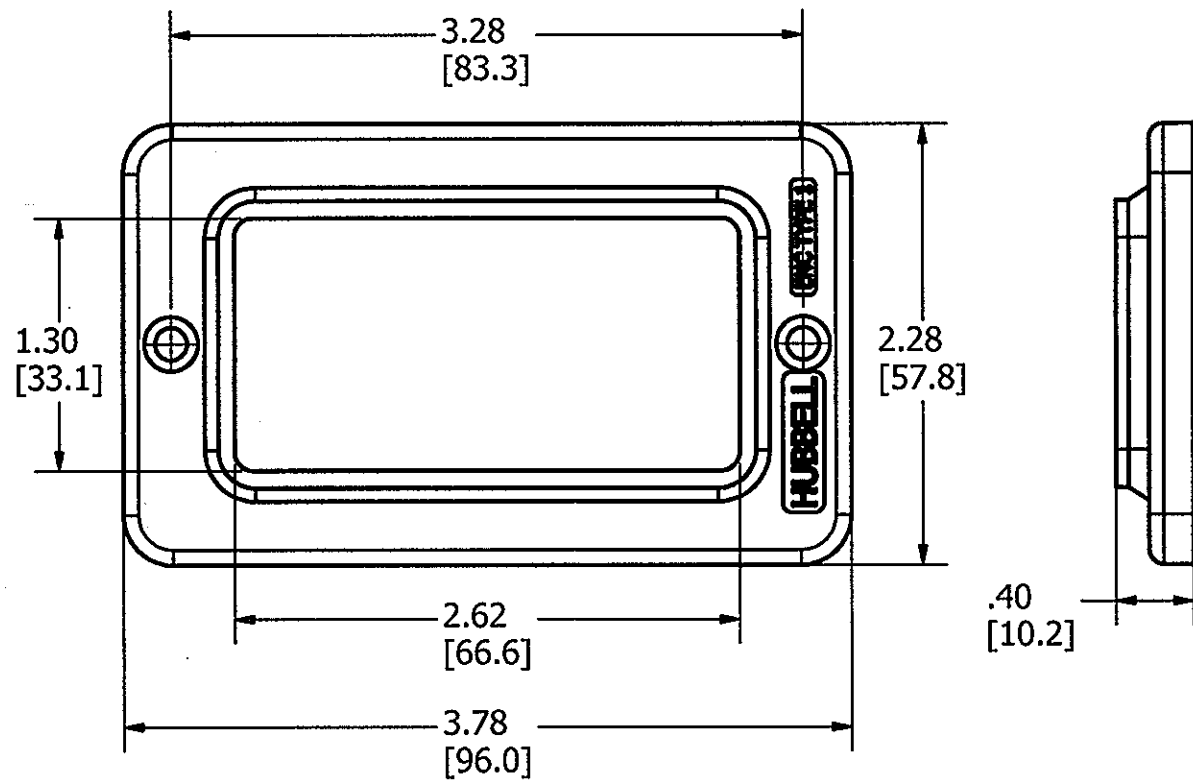


M-12479

2



NOTES:
 1. COVER PLATE RATING UL TYPE 1.
 2. ALL DIMENSIONS IN INCHES AND [MM].

LIST OF PARTS

DESCRIPTION	MATERIAL	FINISH
COVERPLATE	VALOX	GRAY

2	04/03/2014 UPDATED COVERPLATE PER DCN20407 EB TLS	TLS TLS	4/3/2014
1	09/10/13 RELEASED FOR PRODUCTION PER DCN20067 EB TLS	TLS	
SYM	DESCRIPTION	APPRO	DATE

THE DESIGN AND DIMENSIONS OF THE PRODUCT SHOWN ON THIS DRAWING ARE SUBJECT TO CHANGE WITHOUT NOTICE

TITLE
 OUTLET BOX PLATE, GFCI RECEPTACLE

TOLERANCES UNLESS OTHERWISE SPECIFIED
 FRACTIONS ±1/64
 DECIMALS ±.005
 ANGLES ±2°

WIRING DEVICE-KELLEMS
 HUBBELL INCORPORATED
 SHELTON, CT

DR. BY ebazayev APP. BY TLS
 TR. BY SCALE 1:1
 CHK'D BY TLS DATE 9/3/2013

DIMENSION SHEET FOR CAT. NO.

HBL 3060

REPAIRABLE

NON-REPAIRABLE

B

M-12479

2