



► Model 310-MV

# AudioMaster® Two-Way Intercom

Federal Signal's AudioMaster® 310-MV is an industrial intercom that provides reliable two-way communications and superior sound quality.

The AudioMaster 310-MV's standard features include volume control, call button, balanced line output, dust- and water-tight housing, listen/talk switch, remote device activation and the ability to power another intercom at 24VDC.

This heavy duty intercom will operate from -31°F to 150°F (-35°C to 66°C) in both indoor and outdoor applications. Remote device activation allows you to activate an auxiliary signal such as a horn or light.

The AudioMaster 310-MV intercom is easy to operate. Press the toggle switch to talk and then release to listen. Additionally, press the call button to get the attention of personnel at another intercom.

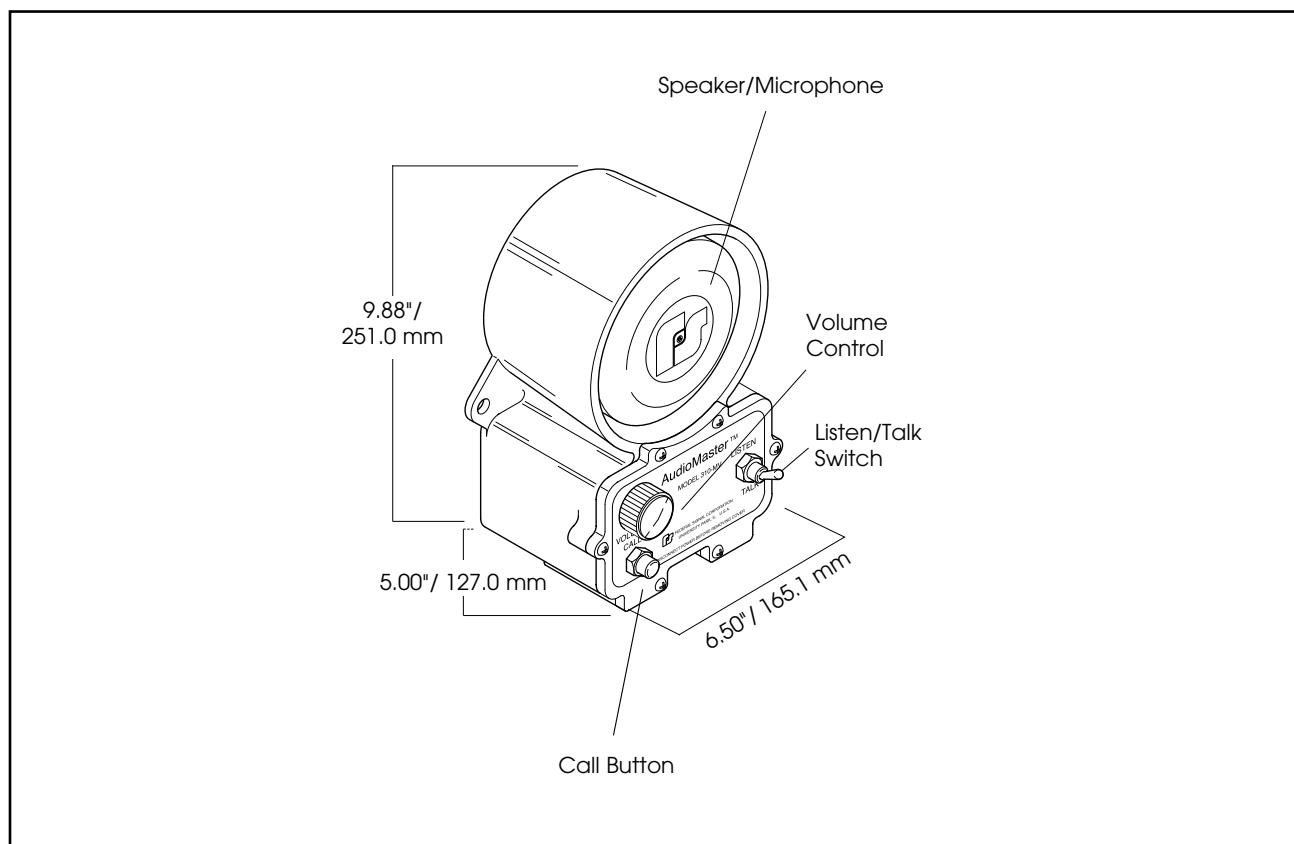
The 310-MV is ideal for use at oil refineries, petrochemical plants, offshore platforms, pulp and paper mills, water treatment facilities, airports, shipyards or anywhere reliable two-way communication is important for safe and efficient operation.

## FEATURES

- Multi-voltage design accepts 24VDC and 120VAC/240VAC
- Heavy-duty industrial intercom for indoor or outdoor applications
- Balanced line output
- Call button
- Indoor/outdoor use
- Talk/Listen switch
- Volume control
- Auxiliary remote signal contact
- Conformal coated PCB
- Type 4X, IP65 enclosure
- Marine Listed
- CSA Certified
- UL Listed

MODEL	VOLTAGE	OPERATING CURRENT	STANDBY CURRENT	FREQUENCY RESPONSE (-6dBA)	INPUT IMPEDANCE
<b>310-MV</b>	24VDC	465 mA	62 mA	150Hz-12KHz	3400 Ohms
	120VAC 50/60Hz	163 mA	70 mA	150Hz-12KHz	3400 Ohms
	240VAC 50/60Hz	82 mA	35 mA	150Hz-12KHz	3400 Ohms

## AudioMaster® Two-Way Intercom (310-MV)



### SPECIFICATIONS

Speaker Rating:		25 watt
Operating Temperature:	-31°F to 150°F	-35°C to 66°C
Net Weight:	9.9 lbs	4.5 kg
Shipping Weight:	11.5 lbs	5.2 kg
Height:	9.88"	251.0 mm
Width:	6.50"	165.1 mm
Depth:	5.00"	127.0 mm

### HOW TO ORDER

#### Specify Model:

**310-MV** – Intercom, 24VDC/120VAC/240VAC, industrial, wall mount

### REPLACEMENT PARTS

Description	Part Number
PC Board Assembly	K2001915C-02
Connector, 10 Pin	K140A326A-01
Resistors, 1K, 1W	K101216A
Gasket, rubber	K8590013B
Kit, potentiometer	K8590237A
Kit, toggle switch	K122A298A
Kit, call button and boot	K8590241A*

\* For use with 120VAC or 240VAC operation