

# **BALDOR**® • **RELIANCE**

## **Product Information Packet**

# **CWDM3546**

**1HP,1740RPM,3PH,60HZ,56C,3518M,TENV,F1,N**

Part Detail							
Revision:	J	Status:	PRD/A	Change #:		Proprietary:	No
Type:	AC	Prod. Type:	3518M	Elec. Spec:	35WGP439	CD Diagram:	CD0005
Enclosure:	TENV	Mfg Plant:		Mech. Spec:	35S588	Layout:	35LYS588
Frame:	56C	Mounting:	F1	Poles:	04	Created Date:	08-06-2010
Base:	RG	Rotation:	R	Insulation:	F	Eff. Date:	09-08-2015
Leads:	9#18					Replaced By:	
Literature:		Elec. Diagram:					

<b>Nameplate NP1496L</b>							
CAT.NO.	CWDM3546						
SPEC.	35S588P439G1						
HP	1						
VOLTS	208-230/460						
AMP	3.2-3/1.5						
RPM	1740						
FRAME	56C	HZ	60	PH	3		
SER.F.	1.15	CODE	M	DES	B	CLASS	F
NEMA-NOM-EFF	82.5	PF	74				
RATING	40C AMB-CONT						
CC	USABLE AT 208V						
DE	6205	ODE	6203				
ENCL	TENV	SN					

**AC Induction Motor Performance Data**

Record # 26368 - Typical performance - not guaranteed values

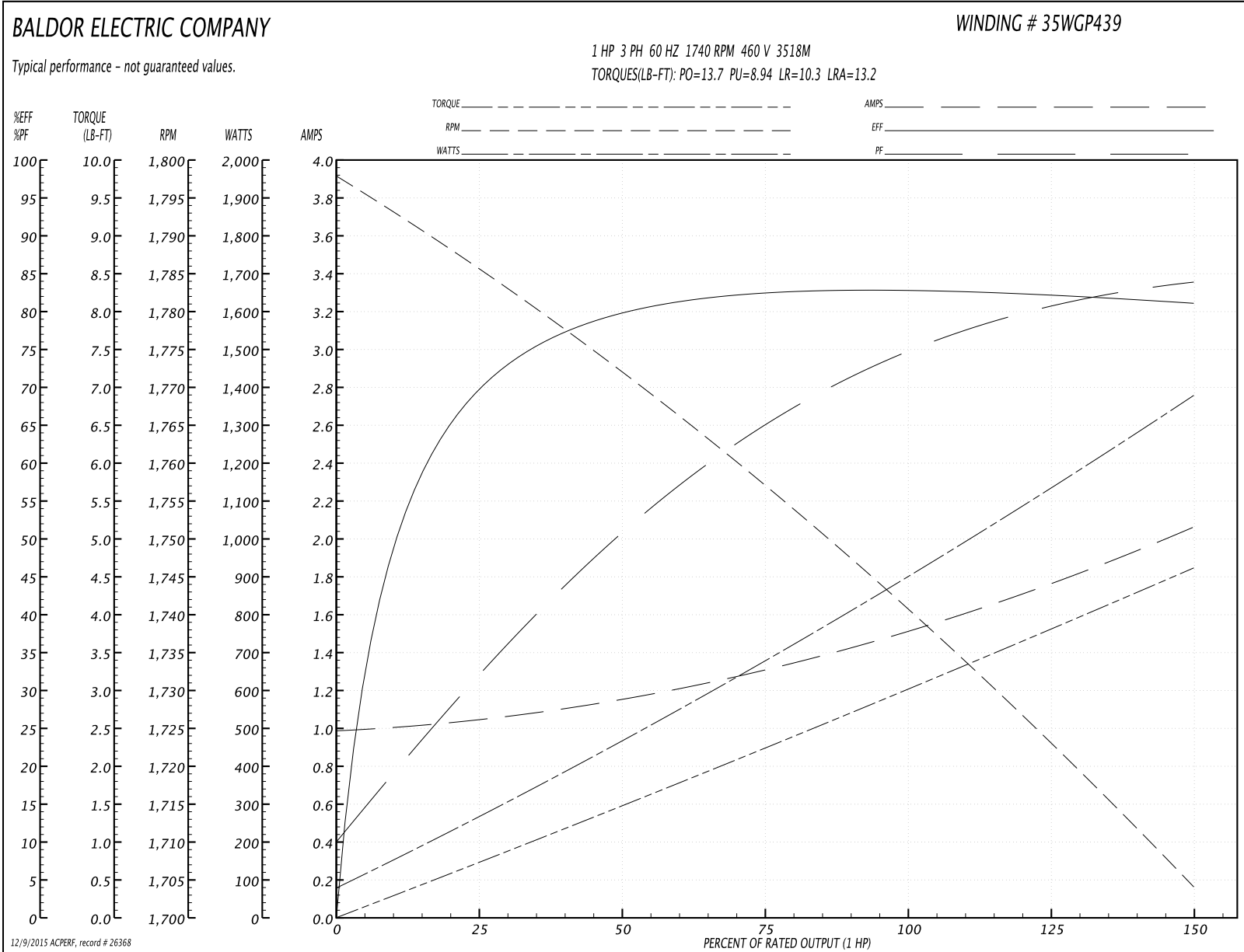
<b>Winding:</b> 35WGP439-R001	<b>Type:</b> 3518M	<b>Enclosure:</b> TENV
-------------------------------	--------------------	------------------------

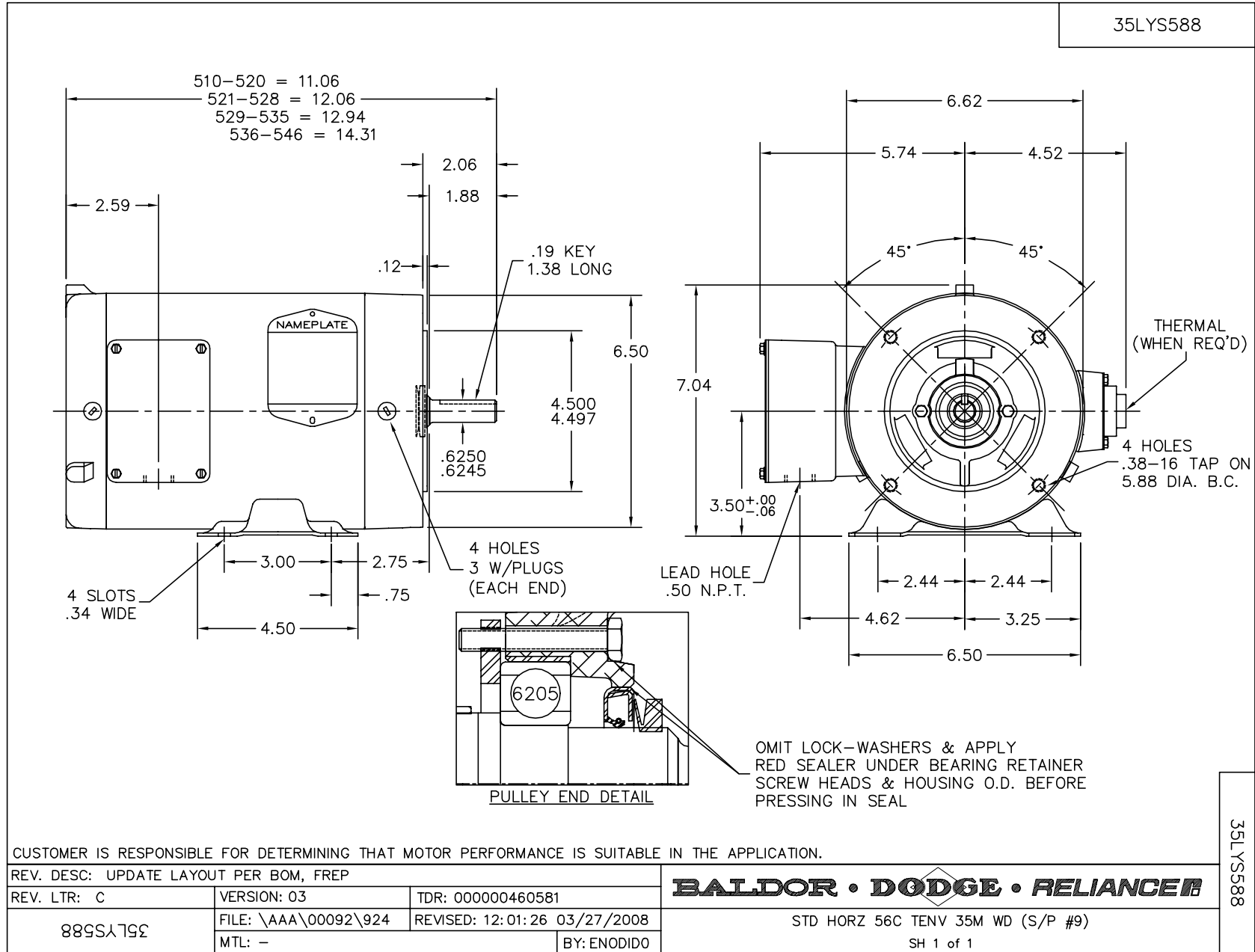
Nameplate Data				460 V, 60 Hz: High Voltage Connection	
Rated Output (HP)	1			Full Load Torque	2.99 LB-FT
Volts	208-230/460			Start Configuration	direct on line
Full Load Amps	3.26-3.02/1.51			Breakdown Torque	13.7 LB-FT
R.P.M.	1740			Pull-up Torque	8.94 LB-FT
Hz	60	Phase	3	Locked-rotor Torque	10.3 LB-FT
NEMA Design Code	B	KVA Code	M	Starting Current	13.2 A
Service Factor (S.F.)	1.15			No-load Current	0.997 A
NEMA Nom. Eff.	82.5	Power Factor	74	Line-line Res. @ 25°C	16 Ω
Rating - Duty	40C AMB-CONT			Temp. Rise @ Rated Load	79°C
S.F. Amps				Temp. Rise @ S.F. Load	98°C

Load Characteristics 460 V, 60 Hz, 1 HP

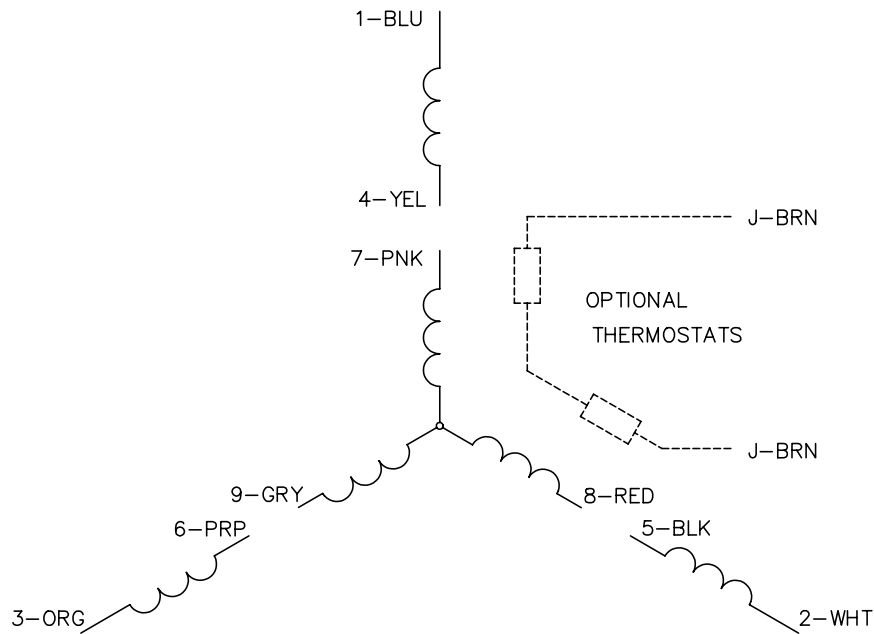
% of Rated Load	25	50	75	100	125	150	S.F.
Power Factor	33	51	65	74	80	84	78
Efficiency	69.7	79.7	82.6	83.2	82.5	81.1	82.8
Speed	1786	1771	1757	1742	1723	1704	1731
Line amperes	1.03	1.15	1.32	1.51	1.76	2.06	1.66

Performance Graph at 460V, 60Hz, 1.0HP Typical performance - Not guaranteed values

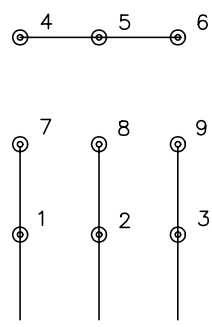




CD0005

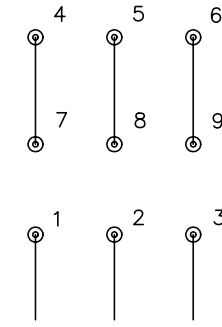


LOW VOLTAGE  
(2Y)



LINE

HIGH VOLTAGE  
(1Y)



LINE

NOTES:

1. INTERCHANGE ANY TWO LINE LEADS TO REVERSE ROTATION.
2. OPTIONAL THERMOSTATS ARE PROVIDED WHEN SPECIFIED.
3. ACTUAL NUMBER OF INTERNAL PARALLEL CIRCUITS MAY BE A MULTIPLE OF THOSE SHOWN ABOVE.
4. LEAD COLORS ARE OPTIONAL. LEADS MUST ALWAYS BE NUMBERED AS SHOWN.

REV. DESC: REVISE TO SHOW OPTIONAL COLORS			
REV. LTR: E	BY: JLP	REVISED: 01/19/99 10:15	TDR: 0171435
90000		FILE: AAA00005140	MDL: -
		MTL: -	

**BALDOR ELECTRIC Co.**

3PH, DV, 9 LEADS

CD0005