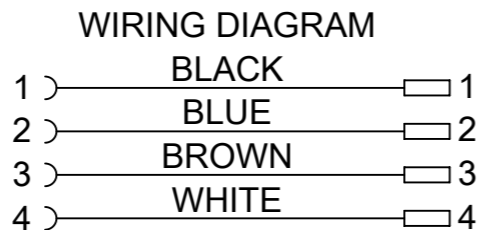
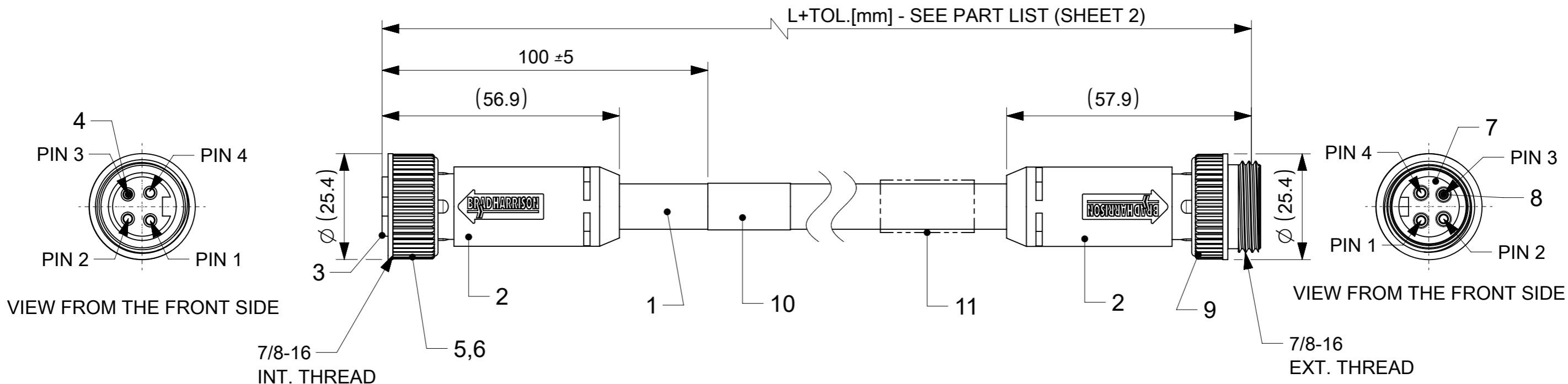
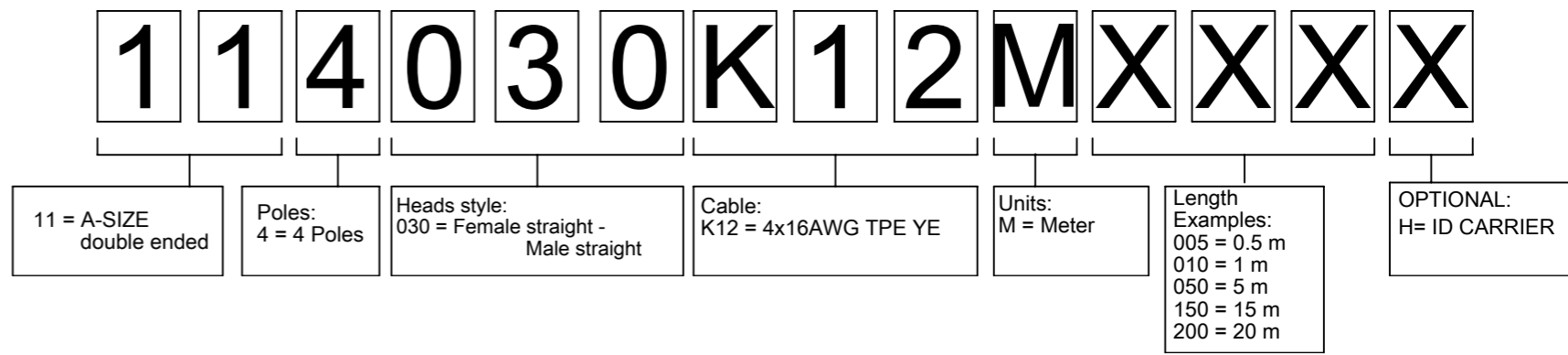


NOTES:

- ELECTRICAL:
 - VOLTAGE: 483V PER IEC 60664
600V PER UL 2238
 - CURRENT: 8A
- TEMP RATING: -20° TO +90°C
- PROTECTION: IP67 (WHEN MATED)
- UL CERTIFICATION: UL FILE NO. E152210
- ALL DIMS ARE FOR REFERENCE UNLES NOTED OTHERWISE
- PART NUMBER WITH "H" HAVE TWO ID MARKERS ONE ON EACH END



PART No. MATRIX



BILL OF MATERIALS


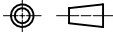
| ITEM | QTY | DESCRIPTION | MATERIAL | FINISH/COLOR |
|------|-----|------------------------------|--------------|--------------|
| 11 | 2 | ID CARRIER | PVC | - |
| 10 | 1 | LABEL WRAP | VINYL | YELLOW |
| 9 | 1 | COUPLING NUT A-SIZE EXT. | ZINC | BLACK |
| 8 | 2 | PIN CONTACT 16 AWG | COPPER ALLOY | Au-PLATED |
| 7 | 1 | HOUSING A-SIZE 4P MALE | ARNITEL | YELLOW |
| 6 | 1 | FRICTION RING A-SIZE | NYLON | GRAY |
| 5 | 1 | MC COUPLING NUT A-SIZE | ZINC | BLACK |
| 4 | 2 | MC SOCKET SLEEVE ASSY 16 AWG | COPPER ALLOY | Au-PLATED |
| 3 | 1 | HOUSING A-SIZE 4P FEMALE | ARNITEL | YELLOW |
| 2 | - | MOULDING MATERIAL | TPE | YELLOW |
| 1 | - | CABLE 16/4 TC-ER OD=11mm | TPE | YELLOW |

| | | | | |
|--------------------|---|---|---|--|
| FUNCTIONAL SYMBOLS | THIS DRAWING CONTAINS INFORMATION THAT IS PROPRIETARY TO MOLEX ELECTRONIC TECHNOLOGIES, LLC AND SHOULD NOT BE USED WITHOUT WRITTEN PERMISSION | CURRENT REV DESC: | | molex |
| | DIMENSION UNITS: mm SCALE: 1:1 GENERAL TOLERANCES (UNLESS SPECIFIED): ANGULAR TOL ± 0.5° 4 PLACES ± 3 PLACES ± 2 PLACES ± 0.05 1 PLACE ± 0.1 0 PLACES ± | EC NO: 638685 DRWN: ASZELAG APPR: DSTACHOWIAK 2020/06/01 2020/06/01 2020/06/01 | 2020/06/01 2020/06/01 2020/06/01 | |
| DIVISIONAL SYMBOLS | DRAFT WHERE APPLICABLE MUST REMAIN WITHIN DIMENSIONS THIRD ANGLE PROJECTION DRAWING: A3-SIZE SERIES: 130010 | INITIAL REVISION: DRWN: MKOWALCZYK01 APPR: MMATLA 2018/09/10 2018/09/11 | DOCUMENT NUMBER: 1300100863 DOC TYPE: PSD DOC PART: 000 REVISION: A2 | MATERIAL NUMBER: SEE SHEET 2 CUSTOMER: GENERAL MARKET SHEET NUMBER: 1 OF 2 |

PART LIST

| MOLEX PN | ENGINEERING NO. | LENGTH + TOL.[mm] |
|------------|-----------------|-------------------|
| 1300100071 | 114030K12M700 | 70000 + 1400 |
| 1300100072 | 114030K12M800 | 80000 + 1600 |
| 1300100863 | 114030K12M005 | 500 + 45 |
| 1300100864 | 114030K12M010 | 1000 + 56 |
| 1300100865 | 114030K12M020 | 2000 + 89 |
| 1300100866 | 114030K12M030 | 3000 + 89 |
| 1300100867 | 114030K12M040 | 4000 + 165 |
| 1300100868 | 114030K12M050 | 5000 + 165 |
| 1300100869 | 114030K12M060 | 6000 + 165 |
| 1300100870 | 114030K12M070 | 7000 + 165 |
| 1300100871 | 114030K12M080 | 8000 + 317 |
| 1300100872 | 114030K12M090 | 9000 + 317 |
| 1300100873 | 114030K12M100 | 10000 + 317 |
| 1300100874 | 114030K12M110 | 11000 + 317 |
| 1300100875 | 114030K12M120 | 12000 + 317 |
| 1300100876 | 114030K12M130 | 13000 + 317 |
| 1300100877 | 114030K12M150 | 15000 + 610 |
| 1300100879 | 114030K12M170 | 17000 + 610 |
| 1300100880 | 114030K12M180 | 18000 + 610 |
| 1300100881 | 114030K12M190 | 19000 + 610 |
| 1300100882 | 114030K12M200 | 20000 + 610 |
| 1300100884 | 114030K12M230 | 23000 + 610 |
| 1300100885 | 114030K12M250 | 25000 + 610 |

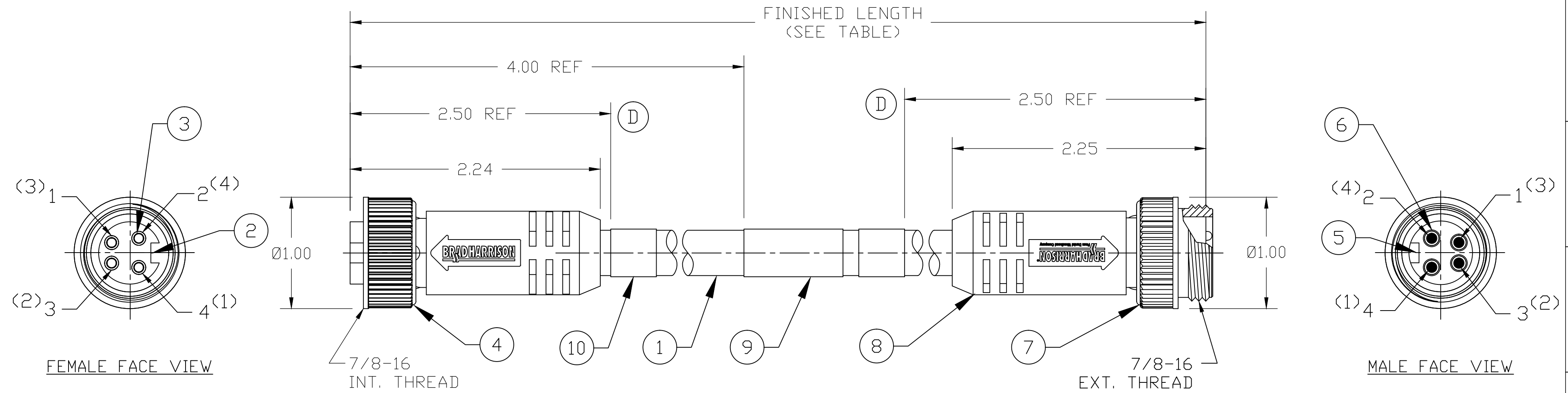
| MOLEX PN | ENGINEERING NO. | LENGTH + TOL.[mm] |
|------------|-----------------|-------------------|
| 1300100886 | 114030K12M300 | 30000 + 610 |
| 1300100887 | 114030K12M350 | 35000 + 700 |
| 1300100888 | 114030K12M380 | 38000 + 760 |
| 1300100889 | 114030K12M460 | 46000 + 920 |
| 1300100890 | 114030K12M540 | 54000 + 1080 |
| 1300100891 | 114030K12M610 | 61000 + 1220 |
| 1300101638 | 114030K12M400 | 40000 + 800 |
| 1300101683 | 114030K12M270 | 27000 + 610 |
| 1300101711 | 114030K12M900 | 90000 + 1800 |
| 1300101723 | 114030K12M340 | 34000 + 680 |
| 1300101724 | 114030K12M420 | 42000 + 840 |
| 1300101725 | 114030K12M500 | 50000 + 1000 |
| 1300101726 | 114030K12M570 | 57000 + 1140 |
| 1300101754 | 114030K12M600 | 60000 + 1200 |
| 1300101862 | 114030K12M015 | 1500 +56 |
| 1300108347 | 114030K12M005H | 500 + 45 |
| 1300108348 | 114030K12M050H | 5000 + 165 |
| 1300108350 | 114030K12M060H | 6000 + 165 |
| 1300101876 | 114030K12M003 | 300 +19 |

| | | | | | | | | | | |
|--|---|-------|--|--------|---|--|----------|---------------|----------------|--------|
| FUNCTIONAL SYMBOLS $\sqrt{A} = 0$ $\sqrt{E} = 0$ $\sqrt{P} = 0$ | THIS DRAWING CONTAINS INFORMATION THAT IS PROPRIETARY TO MOLEX ELECTRONIC TECHNOLOGIES, LLC AND SHOULD NOT BE USED WITHOUT WRITTEN PERMISSION | | CURRENT REV DESC: | |  <p>CSE MC 4P MA STR TPE FE STR XM</p> | | | | | |
| | DIMENSION UNITS | SCALE | GENERAL TOLERANCES (UNLESS SPECIFIED) | | | EC NO: 638685 DRWN: ASZELAG 2020/06/01 CHK'D: DSTACHOWIAK 2020/06/01 APPR: DSTACHOWIAK 2020/06/01 | | | | |
| | mm | 1:1 | ANGULAR TOL ± 0.5° | | | | | | | |
| DIVISIONAL SYMBOLS | 4 PLACES | ± | 3 PLACES | ± | INITIAL REVISION: | | | | | |
| | 3 PLACES | ± | 2 PLACES | ± 0.05 | DRWN: MKOWALCZYK01 2018/09/10 | DOCUMENT NUMBER | DOC TYPE | DOC PART | REVISION | |
| | 2 PLACES | ± | 1 PLACE | ± 0.1 | APPR: MMATLA 2018/09/11 | 1300100863 | PSD | 000 | A2 | |
| | 0 PLACES | ± | DRAFT WHERE APPLICABLE MUST REMAIN WITHIN DIMENSIONS | | THIRD ANGLE PROJECTION | MATERIAL NUMBER | CUSTOMER | | SHEET NUMBER | |
| | | | | |  | A4-SIZE | 130010 | SEE PART LIST | GENERAL MARKET | 2 OF 2 |

| | | | | |
|-----------------|----|--------------|------------|----------|
| DOCUMENT STATUS | P1 | RELEASE DATE | 2020/06/01 | 11:35:02 |
|-----------------|----|--------------|------------|----------|

| PART NO. | ENGINEERING NO. | FINISHED LENGTH |
|------------|-----------------|-----------------------------|
| 1300100863 | 114030K12M005 | 0.5M+44.5mm-0 [1'8"+1.75-0] |
| 1300100864 | 114030K12M010 | 1.0M+55.6mm-0 [3'3"+2.19-0] |
| 1300100865 | 114030K12M020 | 2.0M+88.9mm-0 [6'7"+3.50-0] |

CHART



- NOTES:**
- MATERIAL:** SEE TABLE
 - FINISH:** SEE TABLE
 - ELECTRICAL:**
VOLTAGE: 483V PER IEC 60664
600V PER UL 2238
CURRENT: 8A
 - TEMP RATING:** -20° TO +90°C
 - PROTECTION:** IP67 (WHEN MATED)
 - UL CERTIFICATION:** UL FILE NO. E152210
 - ALL DIMS ARE FOR REFERENCE UNLESS NOTED OTHERWISE**
 - PARTS WITH "H" IN MATRIX HAVE TWO ID CARRIERS ONE ON EACH SIDE**

CENELEC EN 50 044 PINOUT SHOWN (SAE-J-1738A SHOWN IN PARENTHESIS)

| | | |
|-------|-------|-------|
| 4 (1) | BLACK | 4 (1) |
| 3 (2) | BLUE | 3 (2) |
| 1 (3) | BROWN | 1 (3) |
| 2 (4) | WHITE | 2 (4) |

114030K12XXXXH

LENGTH
M010 = 1 METER
M100 = 10 METER
F050 = 5 FEET
F500 = 50 FEET
T=100 METER
T001 = 101 METER
T010 =110 METER

ID CARRIER
H - SEE NOTE 8
BLANK - NO ID CARRIERS

MECHANICAL CHARACTERISTICS:

| | |
|----------------------|------------------------------------|
| TORSIONAL FLEX TEST | 20 MILLION CYCLES PER MIL-C-13777G |
| BEND FLEX TEST | 20 MILLION CYCLES PER MIL-C-13777G |
| WELD SLAG RESISTANCE | WOODHEAD STANDARD S-300 |

CABLE LENGTH TOLERANCES

| | |
|--------------------------|-------------------------|
| >.3M [1FT]: | +19mm-0 [+ .75in-0] |
| .3 - .9M [1 - 3FT]: | +44.5mm-0 [+1.75in-0] |
| .9 - 1.8M [3 - 6FT]: | +55.6mm-0 [+2.19in-0] |
| 1.8 - 3.7M [6 - 12FT]: | +88.9mm-0 [+3.50in-0] |
| 3.7 - 7.3M [12 - 24FT]: | +165.1mm-0 [+6.50in-0] |
| 7.3-14.6M [24 - 48FT]: | +317.5mm-0 [+12.50in-0] |
| 14.6 - 30.5M [48-100FT]: | +622.3mm-0 [+24.50in-0] |
| OVER 30M [100FT] | +2% OF FINISHED LENGTH |

| ITEM | DESCRIPTION | MATERIAL | FINISH |
|------|-----------------------------|---------------|--------------|
| 10 | ID CARRIER | PVC | CLEAR |
| 9 | WRAP LABEL | VINYL | BLACK/YELLOW |
| 8 | OVERMOLD | ARNITEL | YELLOW |
| 7 | COUPLING, MALE | ZINC DIE-CAST | BLACK |
| 6 | CONTACT PIN | COPPER ALLOY | GOLD PLATED |
| 5 | MALE INSERT (A-SIZE) | ARNITEL | YELLOW |
| 4 | COUPLING, FEMALE | ZINC DIE-CAST | BLACK |
| 3 | CONTACT SOCKET | COPPER ALLOY | GOLD PLATED |
| 2 | FEMALE INSERT (A-SIZE) | ARNITEL | YELLOW |
| 1 | CABLE, 16/4 TC-ER (HI-FLEX) | TPE JACKET | YELLOW |

ADD ID MARKERS
EC NO: IPG2018-0458
DRWN: MZIELINS 2018/04/10
CHKD: ---
APPR: BWOODMAN2012/03/08

QUALITY SYMBOL
▽=0
▽C=0

DESCRIPTION
REV

GENERAL TOLERANCES (UNLESS SPECIFIED)

| | mm | INCH |
|----------|------|------|
| 4 PLACES | ±--- | ±--- |
| 3 PLACES | ±--- | ±--- |
| 2 PLACES | ±--- | ±--- |
| 1 PLACE | ±--- | ±--- |

ANGULAR ±---°

DRAFT WHERE APPLICABLE MUST REMAIN WITHIN DIMENSIONS

DIMENSION STYLE INCH ONLY

DRAWN BY: VOU DATE: 2012/01/19
CHECKED BY: TWOLDEGE DATE: 2012/02/17
APPROVED BY: JFMURPHY DATE: 2012/03/08

MATERIAL NO. ---

SIZE C

SCALE: --- DESIGN UNITS: INCH THIRD ANGLE PROJECTION

TITLE: **MINI-CHANGE CORDSET 4P MALE/FEMALE ST/ST #16/4 TPE CABLE**

MOLEX INCORPORATED

DOCUMENT NO. SD-130010-016 SHEET NO. 1 OF 1

THIS DRAWING CONTAINS INFORMATION THAT IS PROPRIETARY TO MOLEX INCORPORATED AND SHOULD NOT BE USED WITHOUT WRITTEN PERMISSION