

# **BALDOR**® • ***RELIANCE***

## **Product Information Packet**

# **GCP3310**

**.17HP,1700RPM,1PH,60HZ,PSLH,3316C,TENV,**

Part Detail							
Revision:	X	Status:	PRD/A	Change #:		Proprietary:	No
Type:	AC	Elec. Spec:	33WGW200	CD Diagram:	CD0014A03	Mfg Plant:	
Mech. Spec:		Layout:	33E604W200K2	Poles:	04	Created Date:	11-10-2006
Base:		Eff. Date:	09-15-2017	Leads:	4#18		

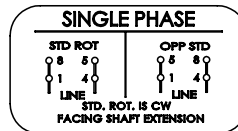
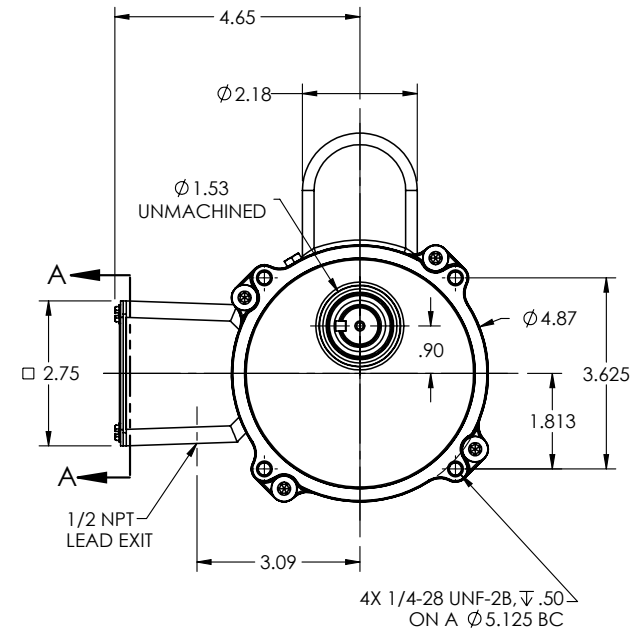
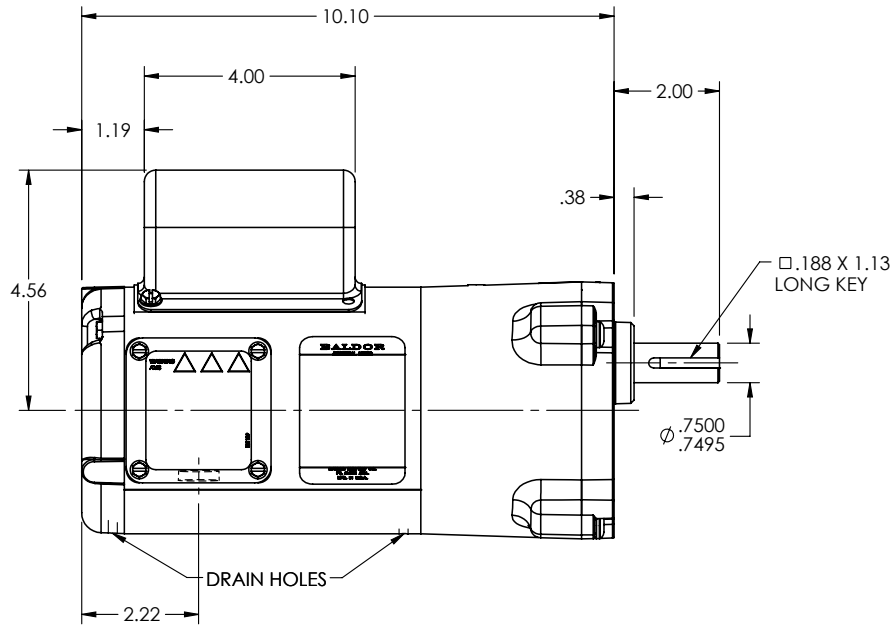
Specs			
Catalog Number:	GCP3310		
Enclosure:	TENV		
Frame Material:	Steel		
Output @ Frequency:	.170 HP @ 60 HZ		
Synchronous Speed @ Frequency:	1800 RPM @ 60 HZ		
Voltage @ Frequency:	115.0 V @ 60 HZ		
Agency Approvals:	CSA		
	UR		
Current @ Voltage:	2.120 A @ 115.0 V		
Duty Rating:	CONT		
Feedback Signal:	NONE		
Heater Indicator:	No Heater		
Insulation Class:	B		
Inverter Code:	Not Inverter		
KVA Code:	-		
Motor Lead Quantity/Wire Size:	4 @ 18 AWG		
Motor Type:	3316C		
Product Family:	General Purpose		

<b>RoHS Status:</b>	ROHS COMPLIANT		
<b>Shaft Rotation:</b>	Reversible		
<b>Motor Standards:</b>	NEMA		
<b>Starting Method:</b>	Full Voltage		
<b>Thermal Device - Winding:</b>	None		
<b>Winding Thermal 1:</b>	None		
<b>Winding Thermal 2:</b>	None		

Nameplate NP1220A07	
CAT.NO.	GCP3310
SER.NO	
SPEC.	33E604W200K2
HP	.17 TE
VOLTS	115
AMP	2.12
HZ	60
AMB.	40
CAP	20
SER.F.	1.00
R.P.M.	85
TORQ/IN LB	112
RATIO	20:1
APRV-CSA	
DUTY	PH 1 CONT
CODE	- CLASS B
APRV-UL	

No performance data has been  
assigned to this product.

33E604W200K2



SECTION A-A

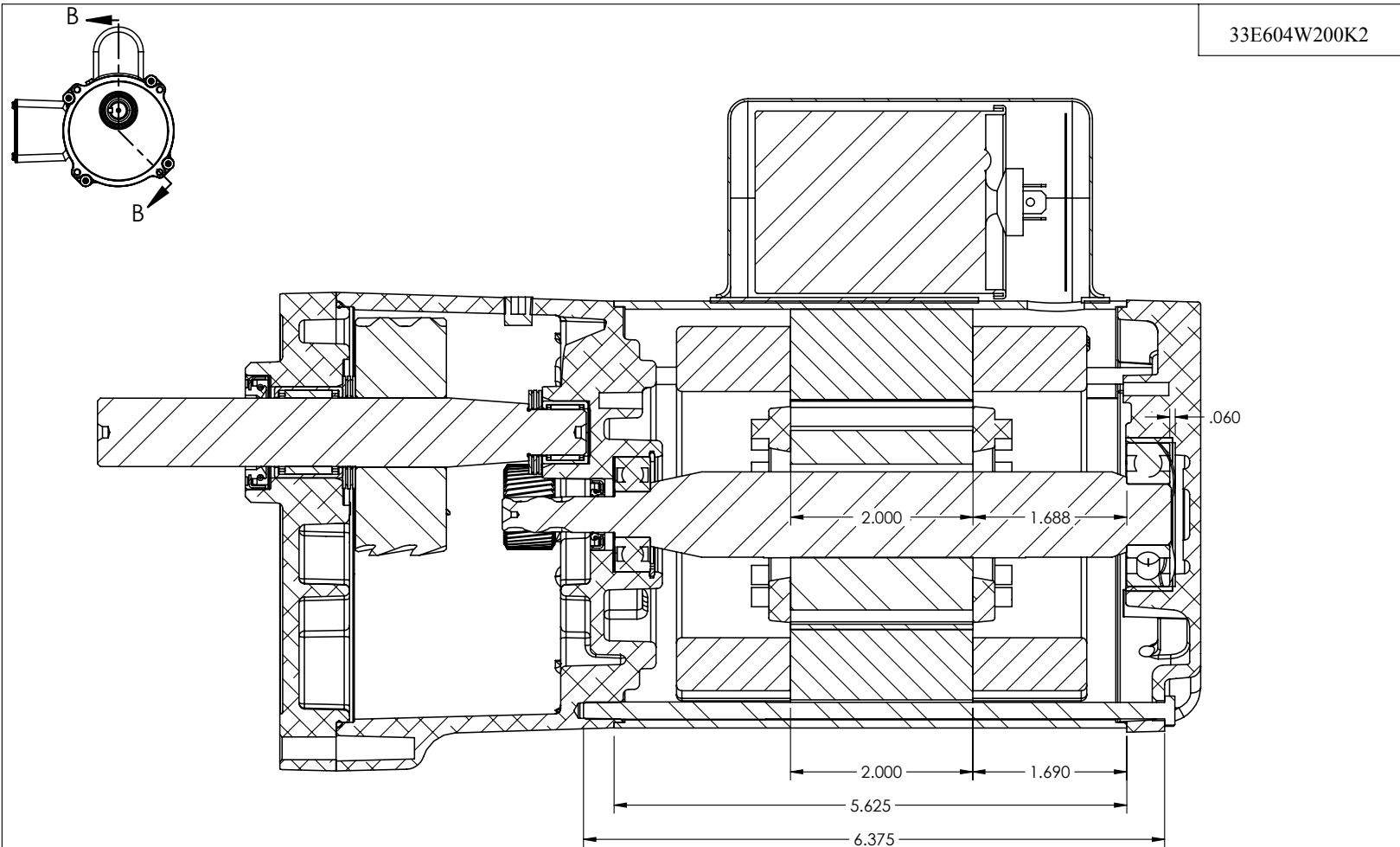
CUSTOMER IS RESPONSIBLE FOR DETERMINING THAT BALDOR'S PRODUCT WILL PERFORM SUITABLY IN THE INTENDED APPLICATION

REV. DESC: LOAD TO SOLID WORKS			
REV: F	VERSION: 06	REVISED: 01:58:09 11/07/2016	TDR: 000001002359
33E604W200K2	MODEL NO. 33E604W200K2	REF:	
	BY: CKPHIW0		

**BALDOR**

LY,33AC PSLH RSB TENV .75 X 2.00 EXTENSION

33E604W200K2



33E604W200K2

SECTION B-B

CUSTOMER IS RESPONSIBLE FOR DETERMINING THAT BALDOR'S PRODUCT WILL PERFORM SUITABLY IN THE INTENDED APPLICATION

REV. DESC: LOAD TO SOLID WORKS			
REV: F	VERSION: 06	REVISED: 01:58:09 11/07/2016	TDR: 000001002359
33E604W200K2	MODEL NO. 33E604W200K2	REF:	
	BY: CKPHIW0		

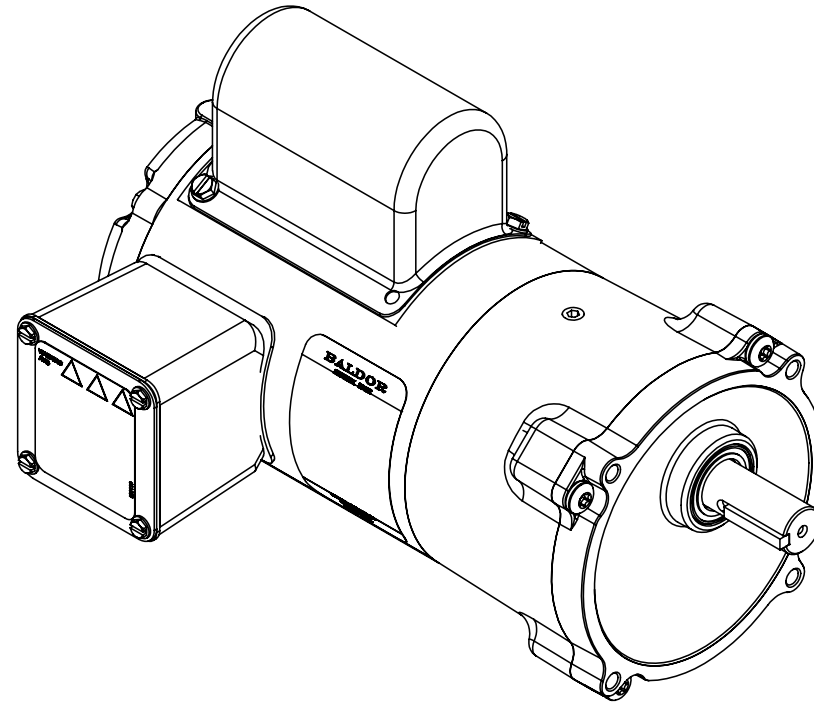
**BALDOR**

LY,33AC PSLH RSB TENV .75 X 2.00 EXTENSION

33E604W200K2

ITEM NO.	PART NUMBER	QTY.
1	HG0076A01	1
2	BMH1714	2
3	BH1165A02	1
4	HW5002A95	1
5	HW3064E05	1
6	HW4600G58	1
7	BH1163A02	1
8	HA4021A05	1
9	33SH2668R01	1
10	33RC4116-00	1
11	BG6203C03	1
12	33SA9200R155	1
13	35GS3003A01	1
14	33CB4800A01	1
15	OC3020F12	1
16	NS2501A01	1
17	51XB1016A05	2
18	NS2512A01	1
19	34GS1029A01	1
20	34CB3002A16	1
21	51XB1016A07	2
22	11XW1032G06	1
23	34GS1031A01	1
24	34CB4517	1
25	51XW0832A07	4
26	33EP3100A04	1
27	HW5109A05	1
28	HA3100A39	2
29	BGS01220	1
30	BGS01221	1
31	CG0012A01	1
32	RM1020A22	1
33	BH1163A03	1
34	HW4600G71	1
35	60XM2520A12	4
36	BMH1910	1
37	NP1220A07	1
38	LB1119	1
39	LC0899A57	1

33E604W200K2



CUSTOMER IS RESPONSIBLE FOR DETERMINING THAT BALDOR'S PRODUCT WILL PERFORM SUITABLY IN THE INTENDED APPLICATION

REV. DESC: LOAD TO SOLID WORKS			
REV: F	VERSION: 06	REVISED: 01:58:09 11/07/2016	TDR: 000001002359
33E604W200K2		MODEL NO. 33E604W200K2	REF:
		BY: CKPHIW0	

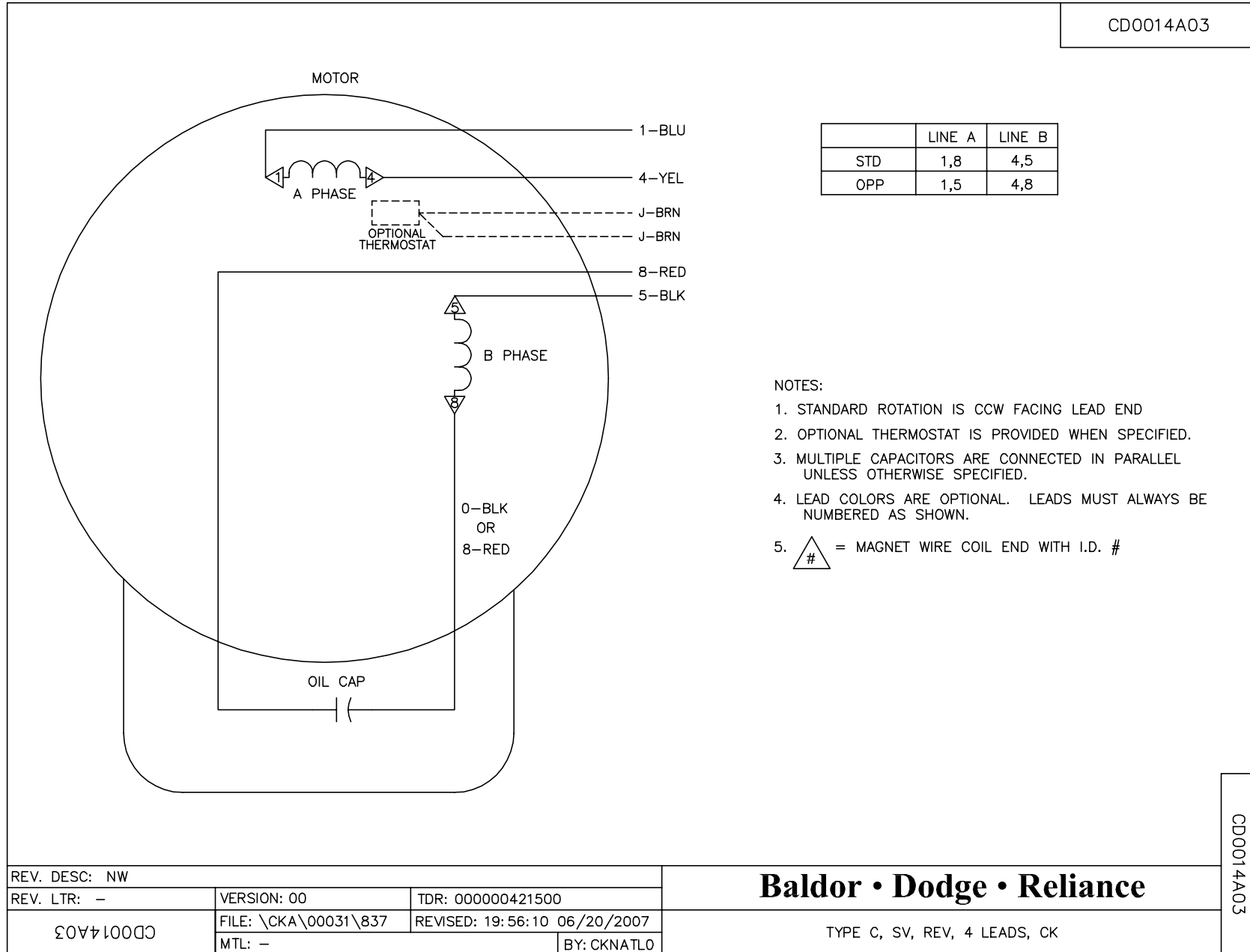
**BALDOR**

LY,33AC PSLH RSB TENV .75 X 2.00 EXTENSION

33E604W200K2



CD0014A03



	LINE A	LINE B
STD	1,8	4,5
OPP	1,5	4,8

NOTES:

1. STANDARD ROTATION IS CCW FACING LEAD END
2. OPTIONAL THERMOSTAT IS PROVIDED WHEN SPECIFIED.
3. MULTIPLE CAPACITORS ARE CONNECTED IN PARALLEL UNLESS OTHERWISE SPECIFIED.
4. LEAD COLORS ARE OPTIONAL. LEADS MUST ALWAYS BE NUMBERED AS SHOWN.
5. = MAGNET WIRE COIL END WITH I.D. #

CD0014A03

REV. DESC: NW			
REV. LTR: -	VERSION: 00	TDR: 000000421500	
CD0014A03	FILE: \CKA\00031\837	REVISED: 19:56:10 06/20/2007	
	MTL: -	BY: CKNATLO	

**Baldor • Dodge • Reliance**

TYPE C, SV, REV, 4 LEADS, CK