

# **BALDOR**® • *RELIANCE*

## **Product Information Packet**

# **CEM7062T-I**

**40//30HP,1775//1480RPM,3PH,60//50HZ,324T**

Part Detail							
Revision:	W	Status:	PRD/A	Change #:		Proprietary:	No
Type:	AC	Elec. Spec:	12WGY276	CD Diagram:	CD0180	Mfg Plant:	
Mech. Spec:	12T021	Layout:	12LYT021	Poles:	04	Created Date:	06-10-2010
Base:	RG	Eff. Date:	11-08-2017	Leads:	9#8		

Specs			
Catalog Number:	CEM7062T-I	Heater Indicator:	No Heater
Enclosure:	XPFC	Insulation Class:	F
Frame:	324TC	Inverter Code:	Not Inverter
Frame Material:	Iron	KVA Code:	H
Output @ Frequency:	30.000 HP @ 50 HZ	Lifting Lugs:	Standard Lifting Lugs
	40.000 HP @ 60 HZ	Locked Bearing Indicator:	Locked Bearing
Synchronous Speed @ Frequency:	1800 RPM @ 60 HZ	Motor Lead Quantity/Wire Size:	9 @ 8 AWG
Voltage @ Frequency:	460.0 V @ 60 HZ	Motor Lead Exit:	Ko Box
	380.0 V @ 50 HZ	Motor Lead Termination:	Flying Leads
	230.0 V @ 60 HZ	Motor Type:	1254M
	190.0 V @ 50 HZ	Mounting Arrangement:	F1
XP Class and Group:	CLI GP C,D	Power Factor:	82
XP Division:	Division I	Product Family:	General Purpose
Agency Approvals:	CSA	Pulley End Bearing Type:	Sealed Bearing
	UL	Pulley Face Code:	C-Face
Auxillary Box:	No Auxillary Box	Pulley Shaft Indicator:	Standard
Auxillary Box Lead Termination:	None	Rodent Screen:	None
Base Indicator:	Rigid	RoHS Status:	ROHS COMPLIANT

<b>Bearing Grease Type:</b>	Polyrex EM (-20F +300F)	<b>Shaft Extension Location:</b>	Pulley End
<b>Blower:</b>	None	<b>Shaft Ground Indicator:</b>	No Shaft Grounding
<b>Current @ Voltage:</b>	96.000 A @ 230.0 V	<b>Shaft Rotation:</b>	Reversible
	90.000 A @ 190.0 V	<b>Shaft Slinger Indicator:</b>	Shaft Slinger
	48.000 A @ 460.0 V	<b>Speed Code:</b>	Single Speed
	45.000 A @ 380.0 V	<b>Motor Standards:</b>	NEMA
<b>Design Code:</b>	A	<b>Starting Method:</b>	Direct on line
<b>Drip Cover:</b>	No Drip Cover	<b>Thermal Device - Bearing:</b>	None
<b>Duty Rating:</b>	CONT	<b>Thermal Device - Winding:</b>	Normally Closed Thermostat
<b>Electrically Isolated Bearing:</b>	Not Electrically Isolated	<b>Vibration Sensor Indicator:</b>	No Vibration Sensor
<b>Feedback Device:</b>	NO FEEDBACK	<b>Winding Thermal 1:</b>	None
<b>Front Face Code:</b>	Standard	<b>Winding Thermal 2:</b>	None
<b>Front Shaft Indicator:</b>	None	<b>XP Temp Code:</b>	T3C

Nameplate NP0977XPSLEV										
NO.						CC	010A			
SER.							TEMP CODE	T3C		
SPEC.	12T021Y276G1									
CAT.NO.	CEM7062T-I									
HP	40//30 NEMA MG-1 PT.5,IP55									
VOLTS	230/460//190/380									
AMPS	96/48//90/45									
RPM	1775//1480					MOTOR WEIGHT	700			
HERTZ	60//50		PH	3		CL	F	DE BRG	6312	
SER.F.	1.15		DES	A		CODE	H	ODE BRG	6311	
FRAME	324TC				GREASE	POLYREX EM				
RATING	40C AMB-CONT									
USABLE AT 208V						NEMA-NOM-EFF	94.1		PF	82
	55C AMB @ 1.0 SF 60C RISE									

**AC Induction Motor Performance Data**

Record # 35371 - Typical performance - not guaranteed values

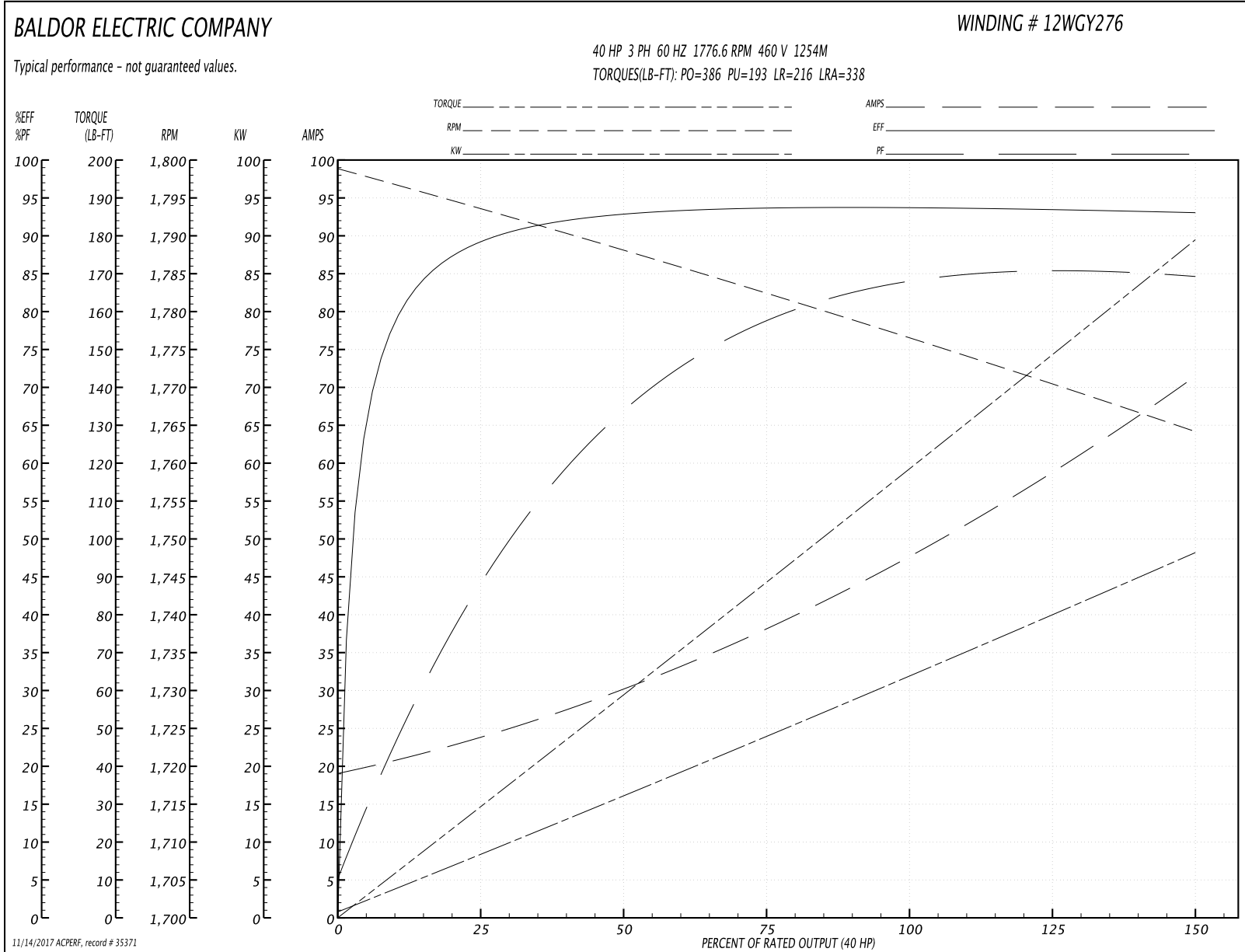
<b>Winding:</b> 12WGY276-R004	<b>Type:</b> 1254M	<b>Enclosure:</b> XPFC
-------------------------------	--------------------	------------------------

Nameplate Data				460 V, 60 Hz: High Voltage Connection	
Rated Output (HP)	40//30			Full Load Torque	118 LB-FT
Volts	230/460//190/380			Start Configuration	direct on line
Full Load Amps	96/48//90/45			Breakdown Torque	386 LB-FT
R.P.M.	1775//1480			Pull-up Torque	193 LB-FT
Hz	60//50	Phase	3	Locked-rotor Torque	216 LB-FT
NEMA Design Code	A	KVA Code	H	Starting Current	338 A
Service Factor (S.F.)	1.15			No-load Current	19.9 A
NEMA Nom. Eff.	94.1	Power Factor	82	Line-line Res. @ 25°C	0.14898 Ω
Rating - Duty	40C AMB-CONT			Temp. Rise @ Rated Load	54°C
S.F. Amps				Temp. Rise @ S.F. Load	64°C
				Locked-rotor Power Factor	27
				Rotor inertia	7.19 LB-FT <sup>2</sup>

Load Characteristics 460 V, 60 Hz, 40 HP

% of Rated Load	25	50	75	100	125	150	S.F.
Power Factor	47	69	78	83	85	85	84
Efficiency	90.1	93.5	94.2	94.2	93.8	93.1	94
Speed	1793.5	1788	1782.5	1776.6	1770.7	1764.1	1773
Line amperes	22.9	29.5	38.4	48.1	59.2	70.8	54.8

Performance Graph at 460V, 60Hz, 40.0HP Typical performance - Not guaranteed values



**AC Induction Motor Performance Data**

Record # 35373 - Typical performance - not guaranteed values

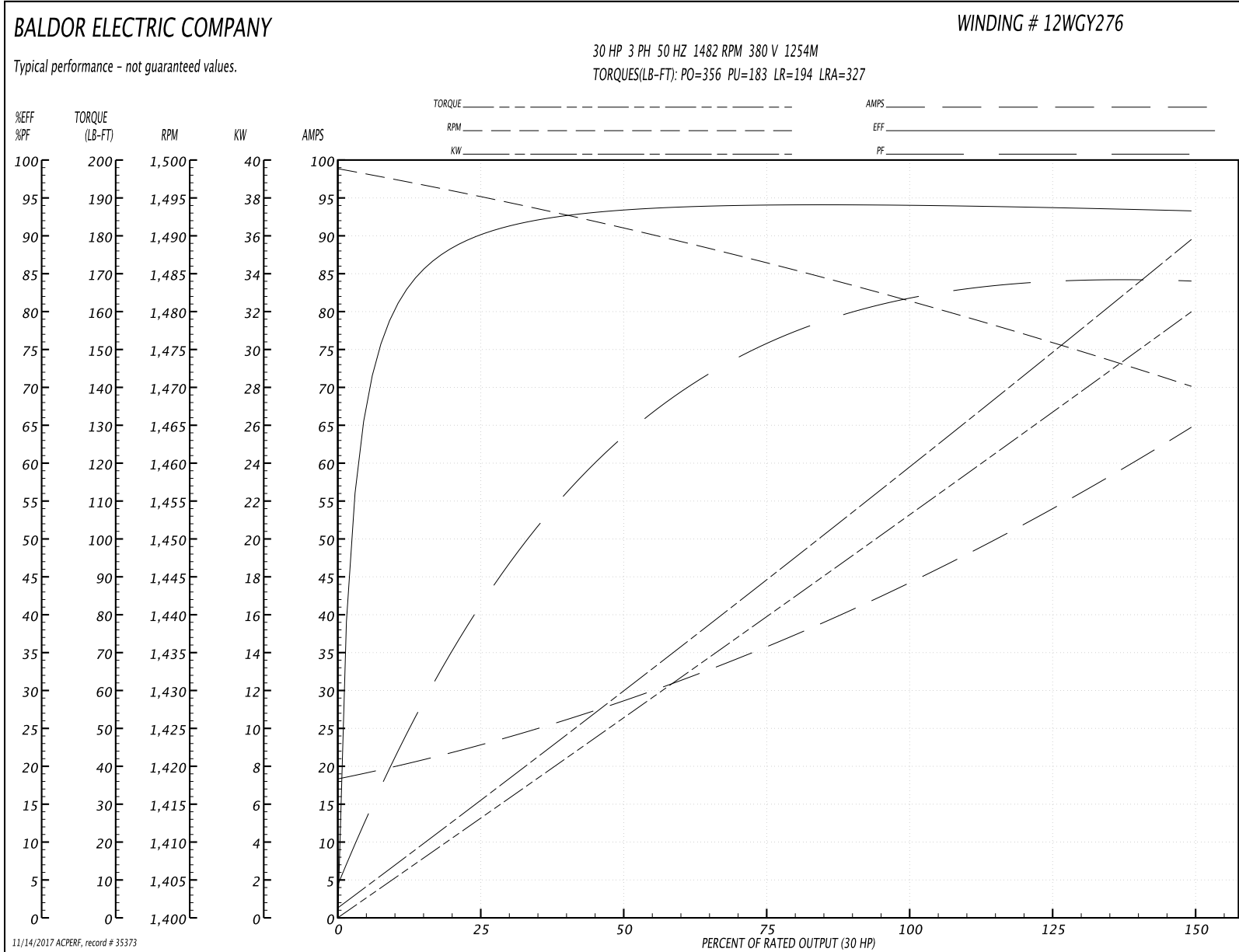
<b>Winding:</b> 12WGY276-R004	<b>Type:</b> 1254M	<b>Enclosure:</b> XPFC
-------------------------------	--------------------	------------------------

Nameplate Data				380 V, 50 Hz: High Voltage Connection	
Rated Output (HP)	40//30			Full Load Torque	106 LB-FT
Volts	230/460//190/380			Start Configuration	direct on line
Full Load Amps	96/48//90/45			Breakdown Torque	356 LB-FT
R.P.M.	1775//1480			Pull-up Torque	183 LB-FT
Hz	60//50	Phase	3	Locked-rotor Torque	194 LB-FT
NEMA Design Code	A	KVA Code	H	Starting Current	327 A
Service Factor (S.F.)	1.15			No-load Current	19 A
NEMA Nom. Eff.	94.1	Power Factor	82	Line-line Res. @ 25°C	0.144 Ω
Rating - Duty	40C AMB-CONT			Temp. Rise @ Rated Load	46°C
S.F. Amps				Temp. Rise @ S.F. Load	56°C
				Locked-rotor Power Factor	30.1
				Rotor inertia	7.19 LB-FT <sup>2</sup>

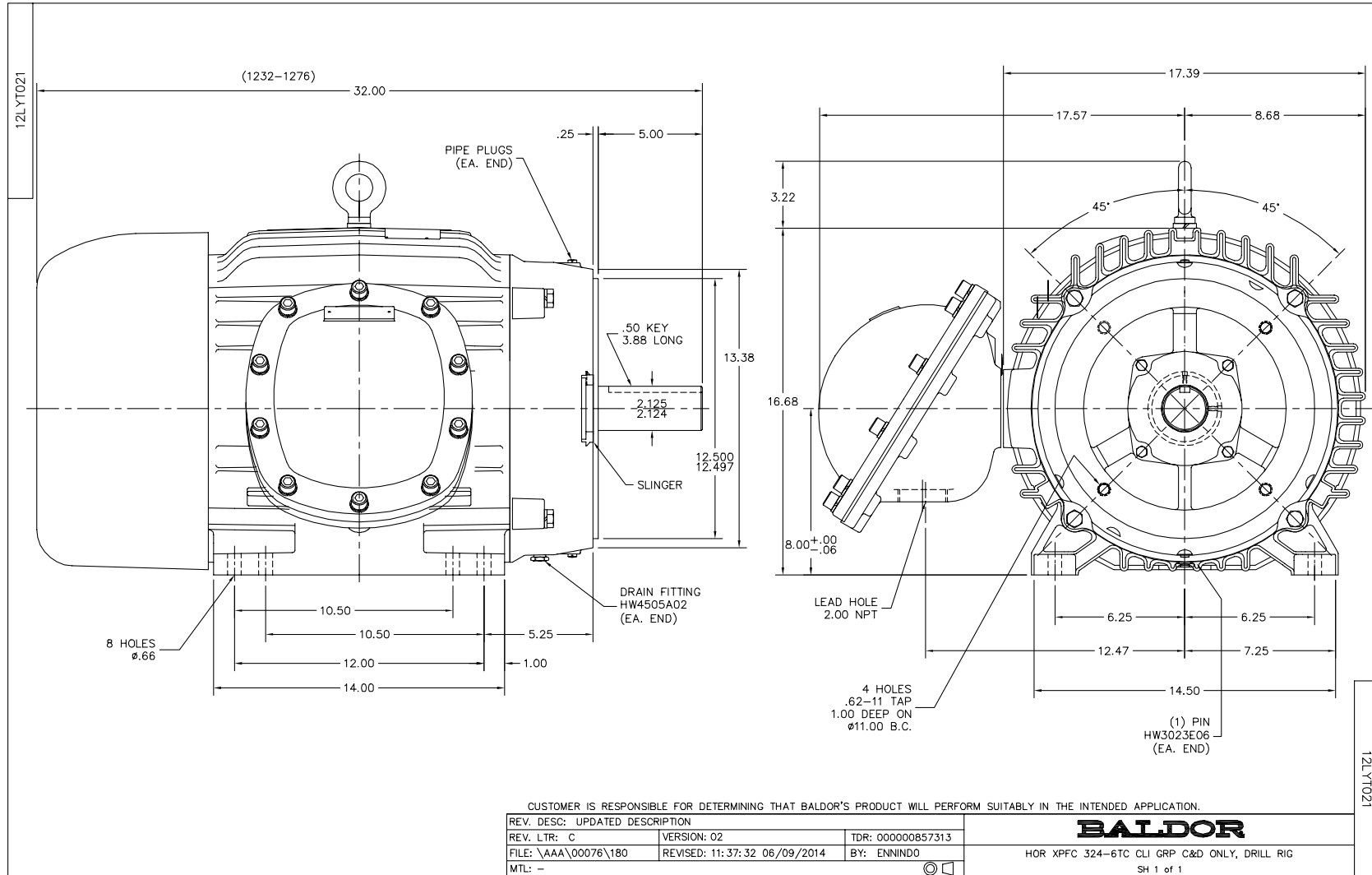
**Load Characteristics 380 V, 50 Hz, 30 HP**

% of Rated Load	25	50	75	100	125	150	S.F.
Power Factor	43	65	75	81	83	85	82
Efficiency	90	93.5	94.3	94	93.7	93.4	93.8
Speed	1495	1491	1486	1482	1476	1470	1478
Line amperes	22	28.3	36	44.5	54.4	64.2	50.4

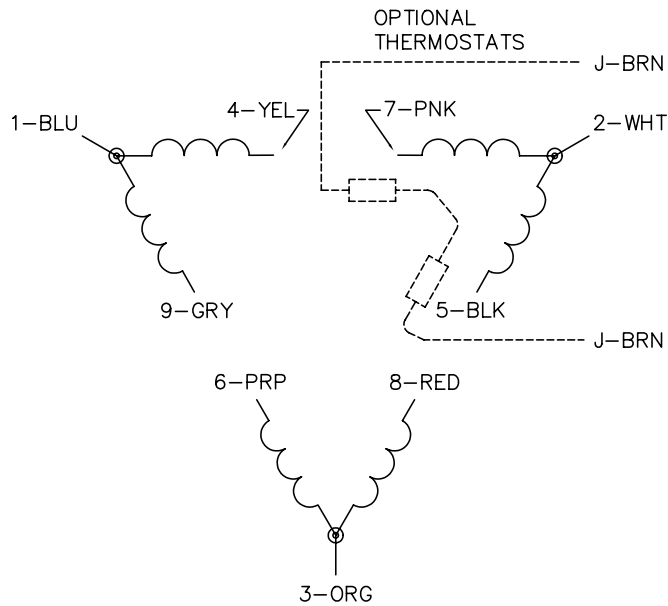
Performance Graph at 380V, 50Hz, 30.0HP Typical performance - Not guaranteed values



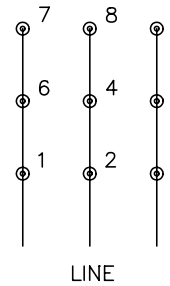




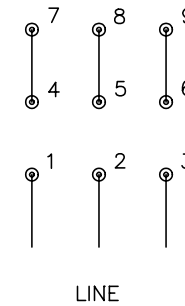
CD0180



LOW VOLTAGE  
(2D)



HIGH VOLTAGE  
(1D)



NOTES:

1. INTERCHANGE ANY TWO LINE LEADS TO REVERSE ROTATION.
2. OPTIONAL THERMOSTATS ARE PROVIDED WHEN SPECIFIED.
3. ACTUAL NUMBER OF INTERNAL PARALLEL CIRCUITS MAY BE A MULTIPLE OF THOSE SHOWN ABOVE.
4. LEAD COLORS ARE OPTIONAL. LEADS MUST ALWAYS BE NUMBERED AS SHOWN.

REV. DESC: REVISE TO SHOW OPTIONAL COLORS			
REV. LTR: C	BY: JLP	REVISED: 01/21/99 2:28	TDR: 0171435
0810D0		FILE: AAA00005148	MDL: -
		MTL: -	

**BALDOR ELECTRIC Co.**

3PH, DV, 9 LEADS, DELTA CONNECTION

CD0180