

BALDOR® • RELIANCE

Product Information Packet

ECP2280T-4

5HP,880RPM,3PH,60HZ,254T,0952M,TEFC,F1,N

Part Detail							
Revision:	C	Status:	PRD/A	Change #:		Proprietary:	No
Type:	AC	Elec. Spec:	09WGT404	CD Diagram:	CD0006	Mfg Plant:	
Mech. Spec:	09J371	Layout:	09LYJ371	Poles:	08	Created Date:	02-07-2017
Base:	RG	Eff. Date:	09-14-2017	Leads:	3#12		

Specs			
Catalog Number:	ECP2280T-4	Inverter Code:	Inverter Duty
Enclosure:	TEFC	KVA Code:	K
Frame:	254T	Lifting Lugs:	Standard Lifting Lugs
Frame Material:	Iron	Locked Bearing Indicator:	Locked Bearing
Output @ Frequency:	5.000 HP @ 60 HZ	Motor Lead Quantity/Wire Size:	3 @ 12 AWG
Synchronous Speed @ Frequency:	900 RPM @ 60 HZ	Motor Lead Exit:	Ko Box
Voltage @ Frequency:	460.0 V @ 60 HZ	Motor Lead Termination:	Flying Leads
XP Class and Group:	None	Motor Type:	0952M
XP Division:	Division II	Mounting Arrangement:	F1
Agency Approvals:	UR	Power Factor:	61
	CSA EEV	Product Family:	Super-E Chemical Processing
	CSA	Pulley End Bearing Type:	Ball
Auxillary Box:	No Auxillary Box	Pulley Face Code:	Standard
Auxillary Box Lead Termination:	None	Pulley Shaft Indicator:	Standard
Base Indicator:	Rigid	Rodent Screen:	None
Bearing Grease Type:	Polyrex EM (-20F +300F)	Shaft Extension Location:	Pulley End
Blower:	None	Shaft Ground Indicator:	No Shaft Grounding
Constant Torque Speed Range:	1.3	Shaft Rotation:	Reversible

Current @ Voltage:	8.600 A @ 460.0 V	Shaft Slinger Indicator:	Shaft Slinger
Design Code:	A	Speed Code:	Single Speed
Drip Cover:	No Drip Cover	Motor Standards:	NEMA
Duty Rating:	CONT	Starting Method:	Direct on line
Electrically Isolated Bearing:	Not Electrically Isolated	Thermal Device - Bearing:	None
Feedback Device:	NO FEEDBACK	Thermal Device - Winding:	None
Front Face Code:	Standard	Vibration Sensor Indicator:	No Vibration Sensor
Front Shaft Indicator:	None	Winding Thermal 1:	None
Heater Indicator:	No Heater	Winding Thermal 2:	None
Insulation Class:	F	XP Temp Code:	T3C

Nameplate NP3241									
CAT.NO.	ECP2280T-4	P/N		ENCLOSURE	TEFC				
SPEC.	09J371T404G1	CC	010A	FRAME	254T	S/N			
HP	5	CLASS	F	HZ	60	DES	A		
RPM	880	RPM MAX	1350	PH	3	KVA-CODE	K		
VOLT	460	MOTOR WEIGHT	327						
AMP	8.6	SER.F.	1.15	PF	61	ODE BRG	6309	DE BRG	6309
RATING	40C AMB-CONT	NEMA-NOM-EFF	87.5	GREASE	POLYREX EM				
				INV.TYPE	PWM				
TEMP CODE	T3C	INVERTER-TEMP-CODE	180						
TEMP =	160	C HP FR	60	C HP TO	90				
CT HZ FROM	1.3	CT HZ TO	60						
HTR-VOLTS		HTR-AMPS		HTR-WATTS		MAX. SPACE HEATER TEMP.		VT HZ FROM	0
								VT HZ TO	60

AC Induction Motor Performance Data

Record # 62451 - Typical performance - not guaranteed values

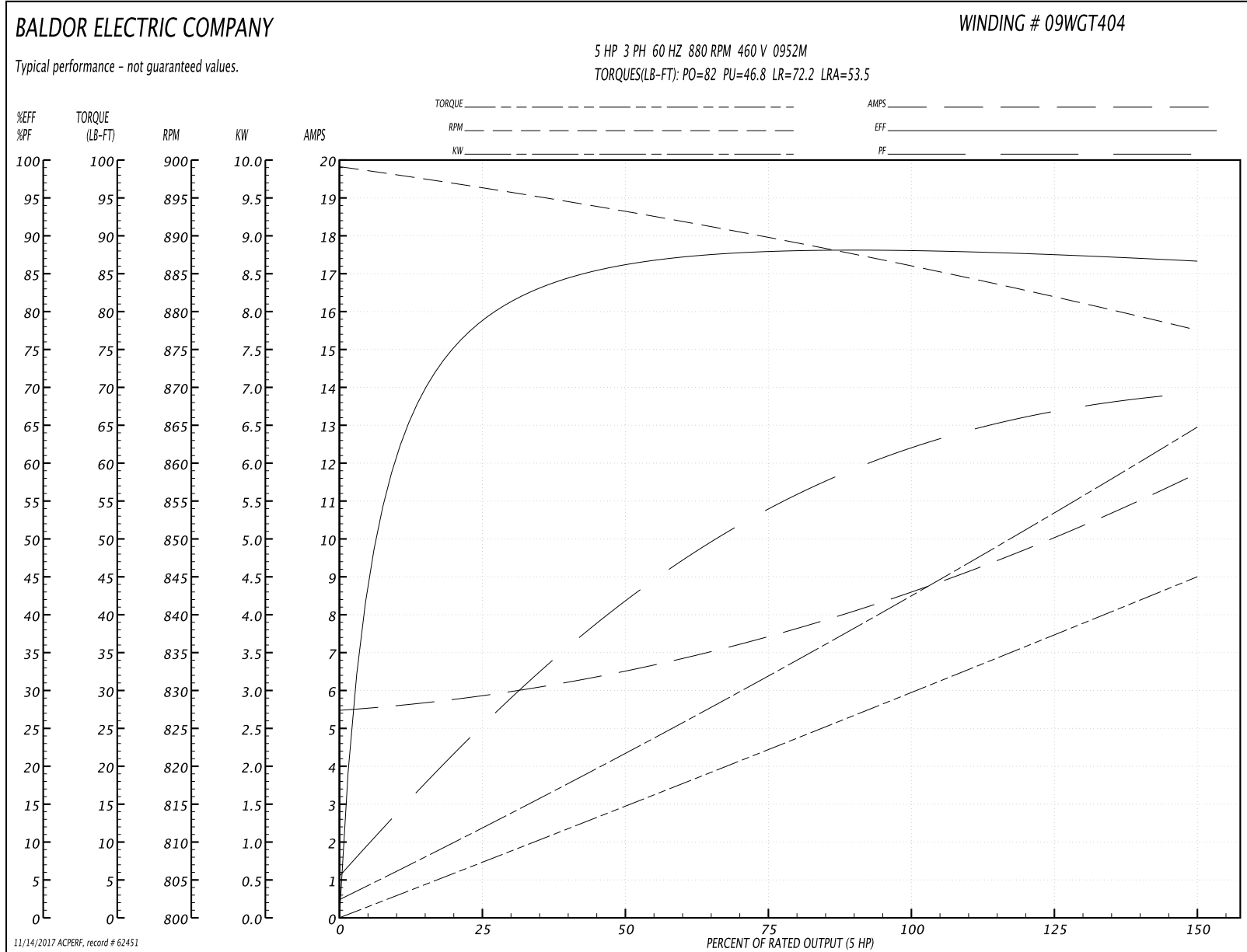
Winding: 09WGT404-R002	Type: 0952M	Enclosure: TEFC
-------------------------------	--------------------	------------------------

Nameplate Data				460 V, 60 Hz: Single Voltage Motor	
Rated Output (HP)	5			Full Load Torque	29.55 LB-FT
Volts	460			Start Configuration	direct on line
Full Load Amps	8.6			Breakdown Torque	82 LB-FT
R.P.M.	880			Pull-up Torque	46.8 LB-FT
Hz	60	Phase	3	Locked-rotor Torque	72.2 LB-FT
NEMA Design Code	A	KVA Code	K	Starting Current	53.5 A
Service Factor (S.F.)	1.15			No-load Current	5.53 A
NEMA Nom. Eff.	87.5	Power Factor	61	Line-line Res. @ 25°C	1.6349 Ω
Rating - Duty	40C AMB-CONT			Temp. Rise @ Rated Load	42°C
S.F. Amps				Temp. Rise @ S.F. Load	50°C
				Locked-rotor Power Factor	27.3

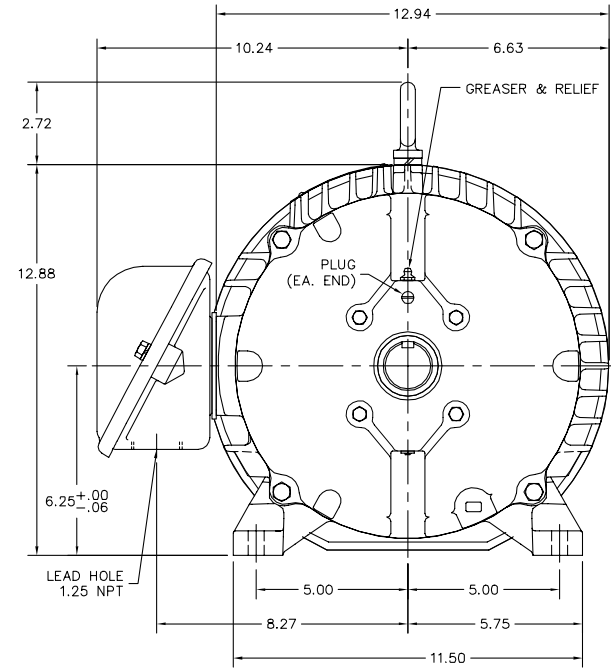
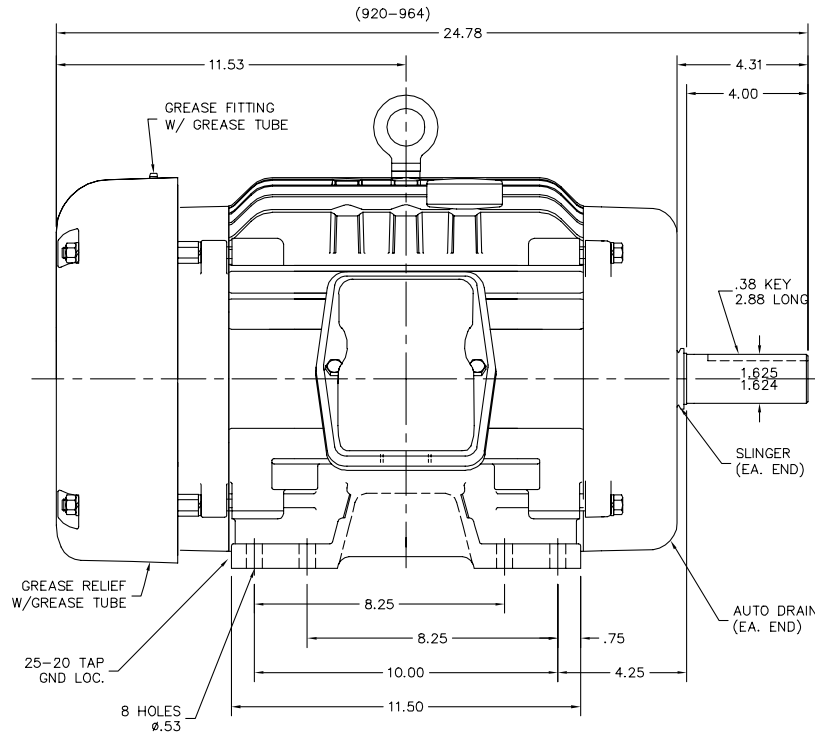
Load Characteristics 460 V, 60 Hz, 5 HP

% of Rated Load	25	50	75	100	125	150	S.F.
Power Factor	26	42	54	61	66	70	64
Efficiency	78.6	86	87.9	88.2	87.6	86.6	87.8
Speed	896.5	893.4	889.8	886	882.1	877.6	884
Line amperes	5.8	6.45	7.42	8.62	10	11.7	9.45

Performance Graph at 460V, 60Hz, 5.0HP Typical performance - Not guaranteed values



09LYJ371



09LYJ371

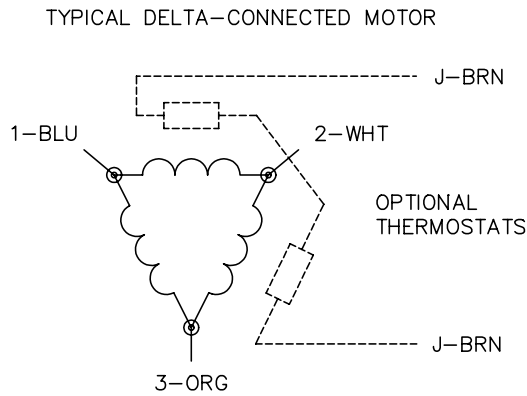
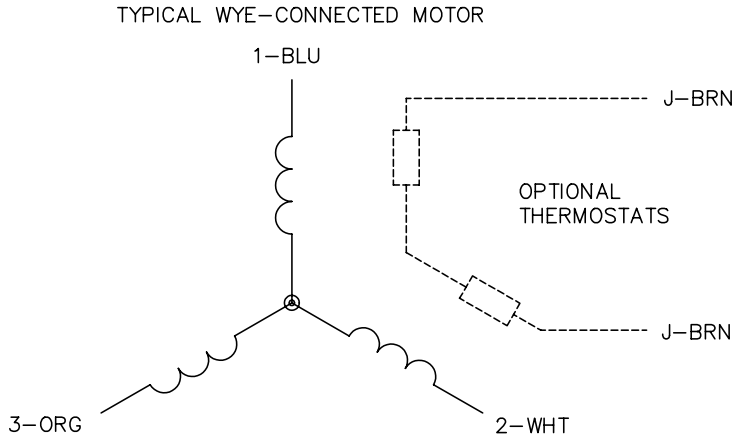
CUSTOMER IS RESPONSIBLE FOR DETERMINING THAT BALDOR'S PRODUCT WILL PERFORM SUITABLY IN THE INTENDED APPLICATION.

REV. DESC: UPDATE STACK RANGE		
REV. LTR: K	VERSION: 10	TDR: 000001043487
FILE: \AAA\00174\539	REVISED: 12:23:37 09/14/2017	BY: ENBRIRO
MTL: -		

BALDOR

HORZ TEFC 254-6T ECP W/309 BRGS, PLS GREASING
SH 1 of 1

CD0006



NOTES:

1. THREE LEAD MOTOR MAY BE EITHER WYE CONNECTED OR DELTA CONNECTED.
2. INTERCHANGE ANY TWO LINE LEADS TO REVERSE ROTATION.
3. OPTIONAL THERMOSTATS ARE PROVIDED WHEN SPECIFIED.
4. ACTUAL NUMBER OF INTERNAL PARALLEL CIRCUITS MAY VARY.
5. LEAD COLORS ARE OPTIONAL. LEADS MUST BE NUMBERED AS SHOWN.

REV. DESC: REVISE TO SHOW OPTIONAL COLORS			
REV. LTR: D	BY: JLP	REVISED: 01/21/99 4:02	TDR: 0171435
9000D		FILE: AAA00005141	MDL: -
		MTL: -	

BALDOR ELECTRIC Co.

3PH, SV, 3 LEADS, WYE OR DELTA CONNECTED

CD0006