



**BALDOR® • RELIANCE**

**Product Information Packet**

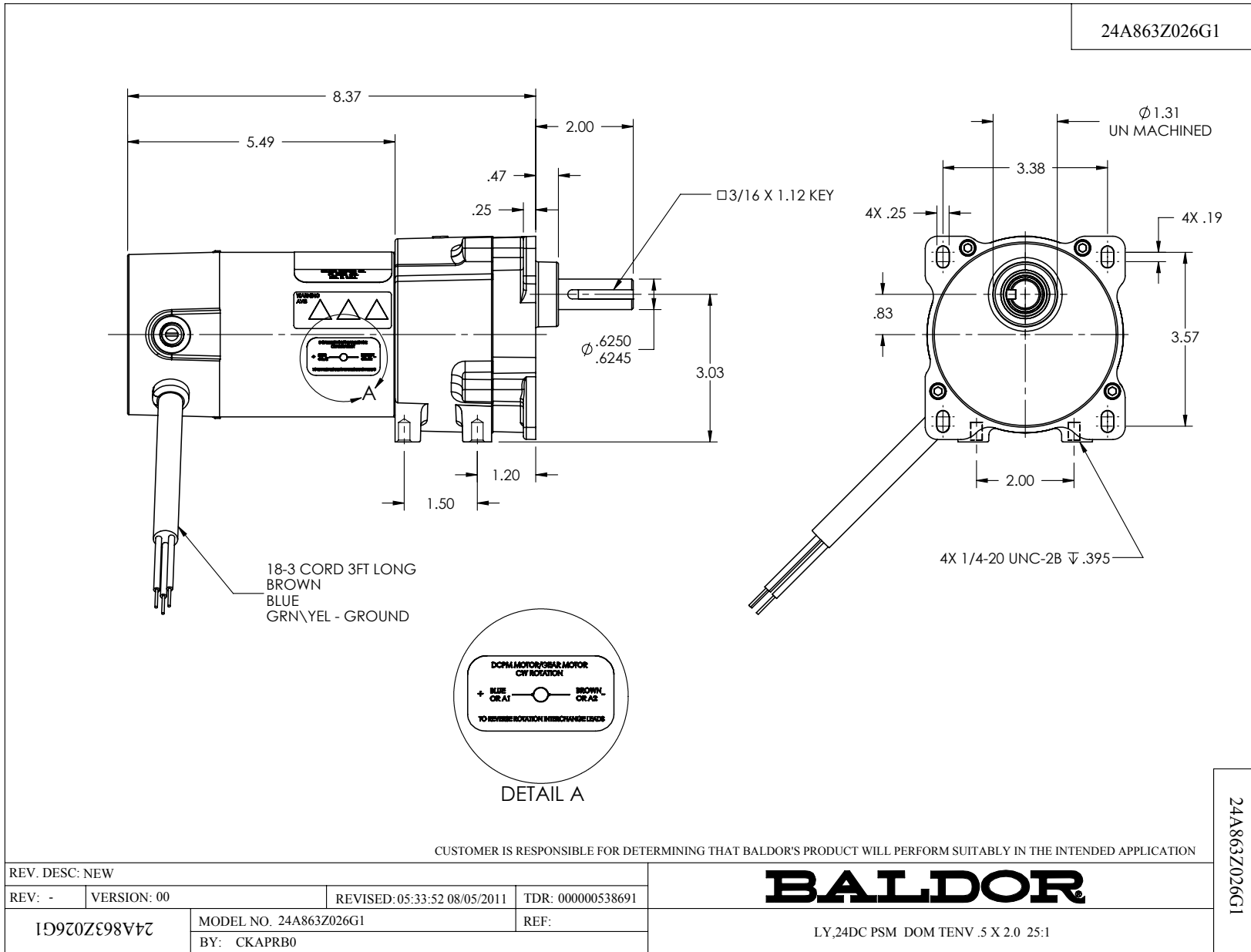
**GPP12559**

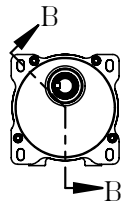
**G.M. J16MA 90VDC 94 RPM 25:1**

Part Detail							
Revision:	C	Status:	PRD/A	Change #:		Proprietary:	No
Type:	DC	Prod. Type:	2416P	Elec. Spec:	24WGZ026	CD Diagram:	CD1899
Enclosure:	TENV	Mfg Plant:		Mech. Spec:		Layout:	24A863Z026G1
Frame:		Mounting:		Poles:	00	Created Date:	07-29-2011
Base:		Rotation:	R	Insulation:	F	Eff. Date:	06-04-2015
Field Type:		Literature:		Elec. Diagram:		Replaced By:	

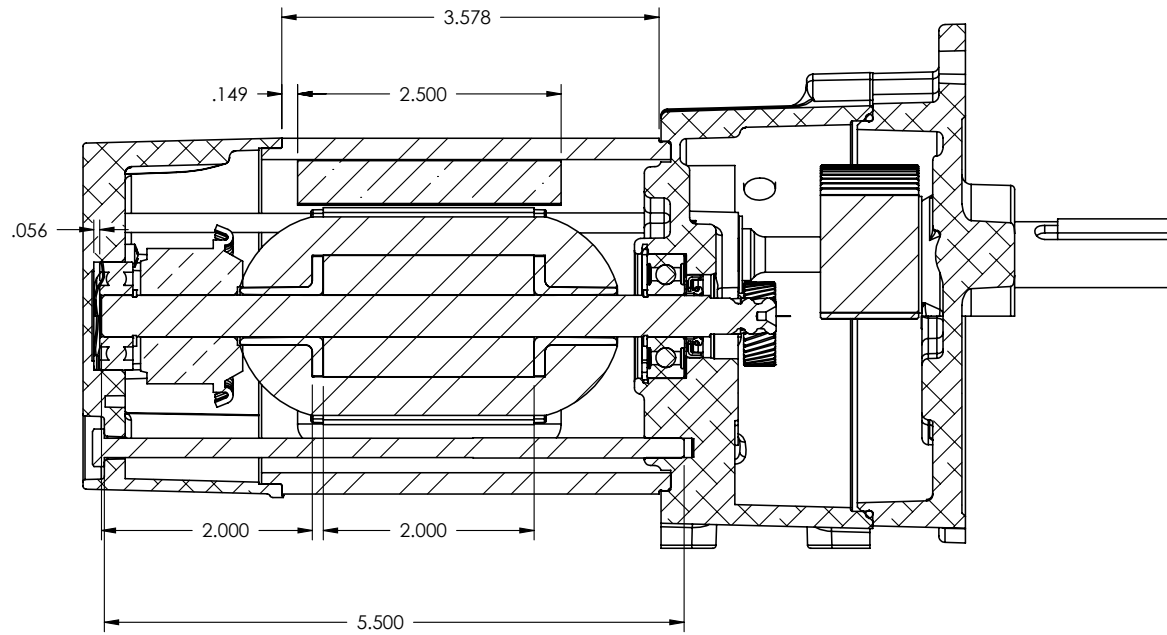
Specs			
Enclosure:	TENV		
Gearhead Type:	PARALLEL SHAFT		
Gear Ratio:	25:1		
Gear Style:	PSM		
Mounting Arrangement:	0.000		
Product Family:	General Purpose		

<b>Nameplate NP1220A08</b>	
<b>CAT.NO.</b>	GPP12559
<b>SER.NO.</b>	
<b>SPEC.</b>	24A863Z026G1
<b>FRAME</b>	PSM <span style="float: right;"><b>TYPE</b> 2416P</span>
<b>HP</b>	.125      TE
<b>VOLTS</b>	90
<b>AMP</b>	1.28
<b>F.F.</b>	1.56 <span style="float: right;"><b>CLASS</b> F</span>
<b>AMB.</b>	40 <span style="float: right;"><b>DUTY</b> CONT</span>
<b>BRUSHES</b>	2/BP5052BP01
<b>R.P.M.</b>	94
<b>TORQ/IN LB</b>	76
<b>RATIO</b>	25:1
<b>APRV-CE</b>	<input type="checkbox"/> <span style="float: right;"><b>APRV-CUL</b> <input type="checkbox"/></span>





24A863Z026G1



SECTION B-B

CUSTOMER IS RESPONSIBLE FOR DETERMINING THAT BALDOR'S PRODUCT WILL PERFORM SUITABLY IN THE INTENDED APPLICATION

REV. DESC: NEW			
REV: -	VERSION: 00	REVISED: 05:33:52 08/05/2011	TDR: 000000538691
24A863Z026G1	MODEL NO. 24A863Z026G1		REF:
	BY: CKAPRB0		

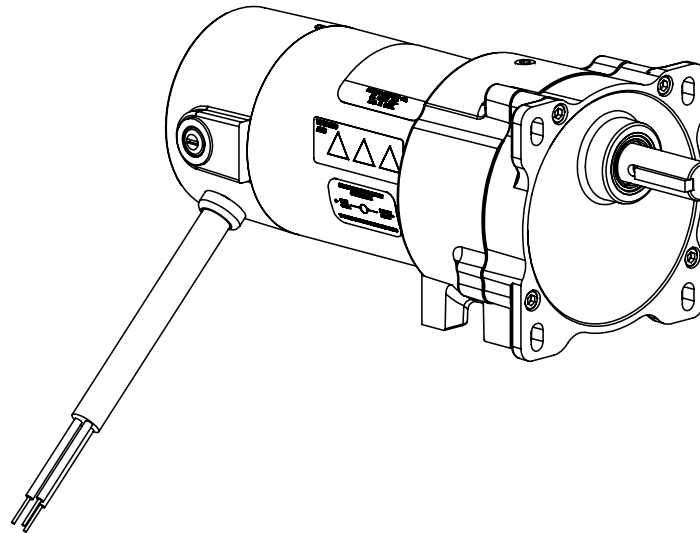
**BALDOR**

LY,24DC PSM DOM TENV .5 X 2.0 25:1

24A863Z026G1

ITEM NO.	PART NUMBER	QTY.
1	HG0060A01	1
2	BMH1716	1
3	BG6200C	1
4	HW5002A45	1
5	HW4600D28	1
6	HA4021A05	1
7	BH1163A01	1
8	HW3064E05	1
9	24SH4002C04	1
10	24AA2016A01 10mm	1
11	SKF - 6000 - 8,DE,NC,8_68	1
12	HW5060A23	2
13	24SB3100C14	1
14	PM1049A05	2
15	24EP3102A01	1
16	HW5109A13	1
17	BP4529	2
18	80XN1032A04	2
19	bp5052-01 compressed	2
20	BP4530	2
21	WD4102A01	1
22	LD0110A	1
23	55XT0632G03	1
24	HA3100A32	2
25	SG0052A24	1
26	SG0052A23	1
27	BCG5495-001	1
28	RM1020A24	1
29	HW4600D90	1
30	BH1103	1
31	84XN1032J16	4
32	BMH1910	1
33	NP1220 24DC DOM	1
34	24DC_LC0899A07	1
35	LB1451	1

24A863Z026G1



24A863Z026G1

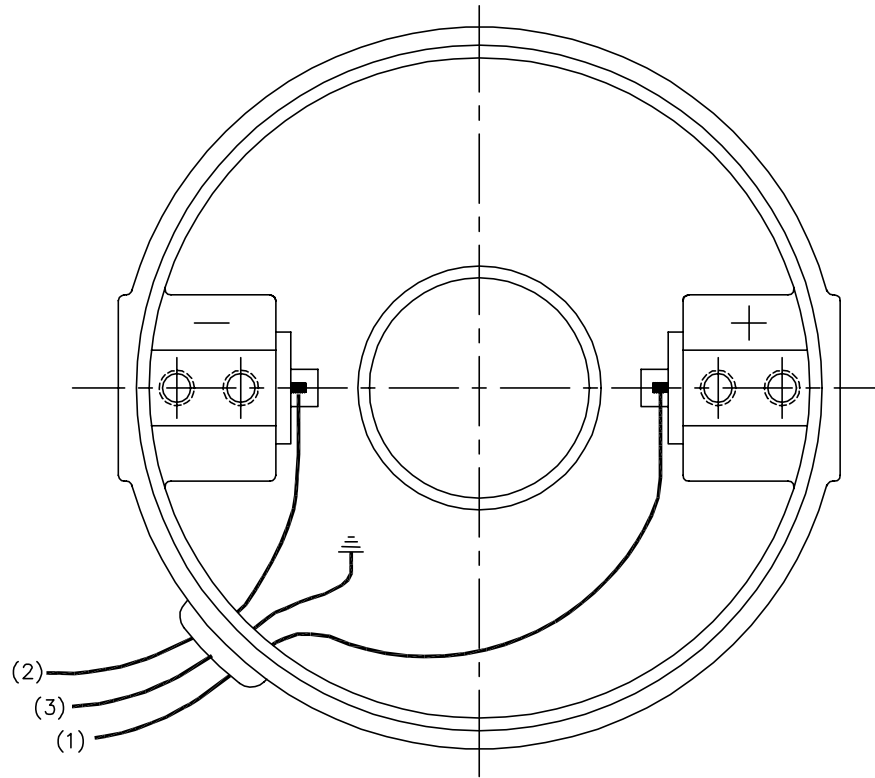
CUSTOMER IS RESPONSIBLE FOR DETERMINING THAT BALDOR'S PRODUCT WILL PERFORM SUITABLY IN THE INTENDED APPLICATION

REV. DESC: NEW			
REV: -	VERSION: 00	REVISED: 05:33:52 08/05/2011	TDR: 000000538691
24A863Z026G1		MODEL NO. 24A863Z026G1	REF:
		BY: CKAPRB0	

**BALDOR**

LY,24DC PSM DOM TENV .5 X 2.0 25:1

CD1899



(1) COLOR MAY BE  
RED  
WHT  
BLU

(2) COLOR MAY BE  
BLK  
BRN

(3) COLOR WHEN REQ.  
GRN  
GRN/YEL

VIEWED FROM  
DRIVE END

REV. DESC: NEW			
REV. LTR: -	BY: PAW	REVISED: 09:06:34 09/16/2004	TDR: 341564
668100		FILE: CKA00025830	REF: CD1899
		MTL: -	

**BALDOR ELECTRIC Co.**

PM,2LD,REV,TANG,CK

CD1899