

WIREMOLD



5000 Two-Piece Multiple Channel Raceway

Access™ 5000 Nonmetallic Surface Raceway System



This attractive raceway conceals and organizes electrical wiring and low-voltage cabling in a sleek, handsome molding. Access Raceway is divided and the low-profile device plates deliver combinations of power and communications cabling.

Access 5000 Raceway System saves time and money because it installs faster and neater than conventional in-wall wiring. It is more energy efficient because walls, vapor barriers and insulation remain intact. And it's a snap to reconfigure or add new wiring/cabling to home or office.

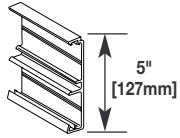
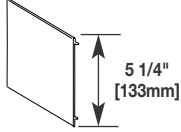
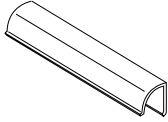


Access 5000 Raceway installed at chair rail height.

Features & Benefits

- **Low profile base mold design.** Raceway can serve as an aesthetically pleasing molding which eliminates the need for additional finishing work.
- **Dual channel raceway.** Power and low-voltage can be run in same raceway.
- **PVC and wood veneer finishes.** Attractive finishes to blend with any decor.
- **Modular device brackets and faceplates.** New and emerging power or communications technologies can be adapted or updated without major construction to reduce overall life cycle costs.
- **Made of durable PVC material.** Lightweight and easy to cut. Meets UL flammability requirements and is UL Listed/CSA Approved for up to 600 volts.
- **Patented safety interlock system on covers.** Offers additional safety for home applications.
- **Full line of fittings and accessories.** Fittings snap onto base and overlap to cover seams for quick and easy installation.
- **Eight-foot lengths.** Installs quickly by one person with fewer joints to cover. Consult factory for custom lengths.
- **Datacom connectivity options.** Accepts industry standard and proprietary devices from a wide range of manufacturers to provide a seamless and aesthetically pleasing interface for voice, data, audio, and video applications at the point of use.

Access 5000 Base & Cover

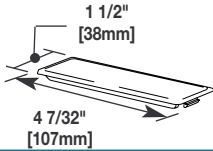
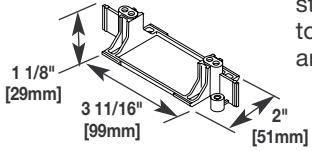
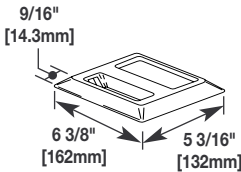
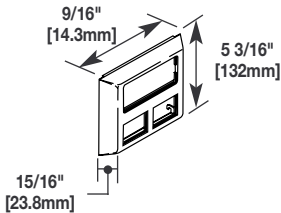
Catalog No./Item	Description/Specifications
5000B 	Base – An integral divider forms two channels for power and low-voltage separation. Base supplied in 8' [240m] lengths.
5000C*† 	Cover – Covers supplied in 8' [240m] lengths.
5000T*† 	Quarter Round Trim – Trim covers supplied in 8' [240m] lengths.

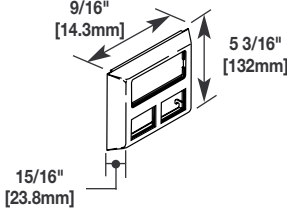
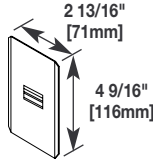
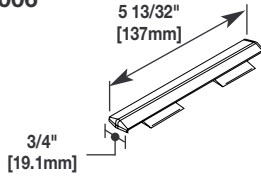
Access Raceway in standard white vinyl and maple wood veneer; also available in black, gray vinyl, and fine oak wood veneer finishes.



Access Raceway's Base, Cover, and Trim Cover are sold separately.

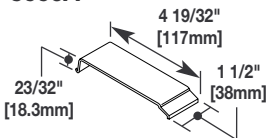
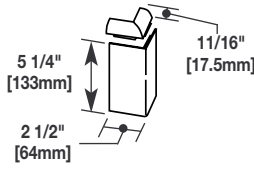
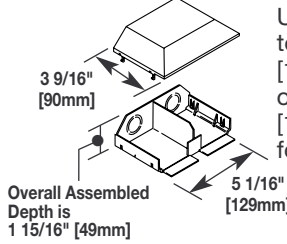
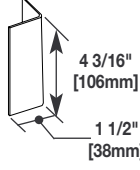
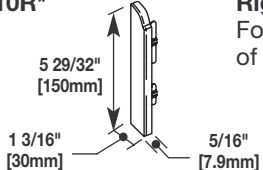
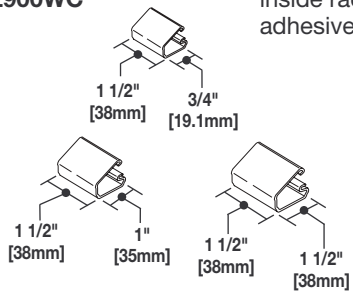
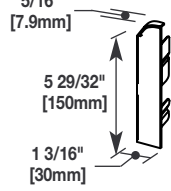
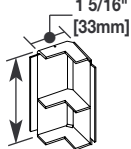
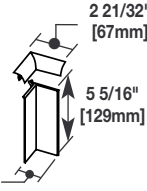
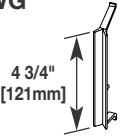
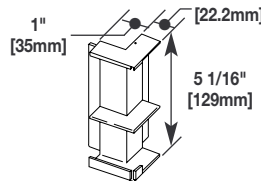
Access 5000 Raceway Fittings

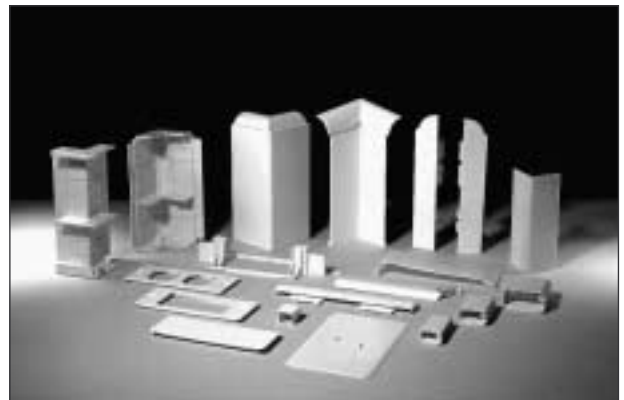
Catalog No./Item	Description/Specifications
5005* 	Low-Voltage Blank Plate – Blanks entire low-voltage recess in device plate.
5007 	Device Bracket – For mounting standard devices. Snaps into top section of base wherever an outlet is needed.
5007C-1A* 	External Device Cover Plate – For mounting one standard device and up to two voice/data connectors. <ul style="list-style-type: none"> • Accepts 5507 Series Faceplates and Pass & Seymour Activate Keystone Jacks and Inserts.
5007C-2AB* 	Deep Device Plate – For mounting deeper devices such as Sentrex® protection and GFCI devices and Pass & Seymour Activate communications inserts. <ul style="list-style-type: none"> • Accepts 5507 Series Faceplates, 2A size Activate inserts, and Open System Communication Modules.

Catalog No./Item	Description/Specifications
5007C-2RT* 	Deep Device Plate – For mounting deeper devices such as Sentrex® surge protection and GFCI devices and Ortronics communications inserts. <ul style="list-style-type: none"> • Accepts 5507 Series Faceplates, Tracjack and Series II Inserts.
5001 	Base Coupling – For aligning base sections.
5006* 	Cover Clip – Covers seam between butted cover sections.

NOTE: * Add suffix "WH" for white finish, "BK" for black, and "GY" for gray.
 † Add suffix "W" for maple finish or "OA" for oak.

Access 5000 Raceway Fittings

Catalog No./Item	Description/Specifications	Catalog No./Item	Description/Specifications
5006A 	Internal Wire Guard – Protects inside wire/cables from gap behind butted cover sections. Installed when the 5006 Cover Clips are not used.	5018C* 	External Cover Elbow – For mounting cover and trim cover at 90° external corners.
5010A* 	Entrance End Fitting – Used to connect 5000 to 1/2" [12.7mm] or 3/4" [19.1mm] conduit. Has one 1/2" [12.7mm] or 3/4" [19mm] concentric KO for each channel.	5018WG 	External Elbow Wire Guard – Installs at a mitered external elbow joint behind the covers to protect from sharp objects being inserted. Not needed when 5018C external cover elbow is used.
5010R* 	Right End Cap – For closing open right end of 5000 Base run.	2700WC 2800WC 2900WC 	Wire Clips – Holds and secures wiring and cabling inside raceway. Mounts with adhesive backing.
5010L* 	Left End Cap – For closing open left end of 5000 Base run.		
5017B 	Internal Base Elbow – For mounting base at 90° internal corners.		
5017C* 	Internal Cover Elbow – For mounting cover and trim cover at 90° internal corners.		
5017WG 	Internal Elbow Wire Guard – Protects wiring at mitered internal cover; snaps into 5017B Base Elbow. Not needed when 5017C internal cover elbow is used.		
5018B 	External Base Elbow – For mounting base at 90° external corners.		



A full line of molded fittings are available.

NOTE: *Add suffix "WH" for White Finish, "BK" for Black, and "GY" for Gray.

Access 5000 Face Plates

Catalog No./Item	Description/Specifications		Catalog No./Item	Description/Specifications	
55007AD 55007AD-G	Modular Furniture Adapter – <ul style="list-style-type: none"> For mounting Activate modular furniture bezel, and other modular furniture adapters. 	<div style="text-align: right;"> ORT P&S OPEN </div>	5507RJ 5507RJ-G	Dual RJ11/RJ45 Connector Faceplate – <ul style="list-style-type: none"> For mounting one or two RJ type connectors – has one opening and a KO for the other. 	<div style="text-align: right;"> ORT P&S OPEN </div>
5507B 5507B-G	Blank Faceplate – For covering unused compartments in the device bracket.		5507RJI 5507RJI-G	RJ11/RJ45 and IBM Faceplate – <ul style="list-style-type: none"> For mounting one RJ and one IBM type connector. 	<div style="text-align: right;"> ORT P&S OPEN </div>
5507D 5507D-G	Duplex Faceplate – For covering duplex style devices. <ul style="list-style-type: none"> Accepts 106 Frame. 	<div style="text-align: right;"> ORT P&S OPEN </div>	5507SW 5507SW-G	Switch Faceplate – For covering standard toggle switches.	
5507R 5507R-G	Rectangular Faceplate – For covering rectangular style devices.		5507T1 5507T1-G	Single Receptacle Faceplate – For covering single receptacles – 1.59" [40mm] diameter.	
5507FRJ 5507FRJ-G	Flush Dual RJ11/RJ45 Faceplate – <ul style="list-style-type: none"> For flush mounting one or two RJ type connectors – has one opening and a KO for the other. 	<div style="text-align: right;"> ORT P&S OPEN </div>	5507T2 5507T2-G	Single Receptacle Faceplate – For covering single receptacles – 1.41" [35mm] diameter.	
			55072S2	Ortronics® Faceplate – For mounting Ortronics datacom inserts. <ul style="list-style-type: none"> Accepts two Series II Devices. 	<div style="text-align: right;"> ORT P&S OPEN </div>

NOTE: All faceplates are 4 1/4" x 1 7/8" [108mm x 47mm].



Adding or relocating an outlet is easy with Access 5000 Raceway. Wire clips support cables without obstructing access to wiring.

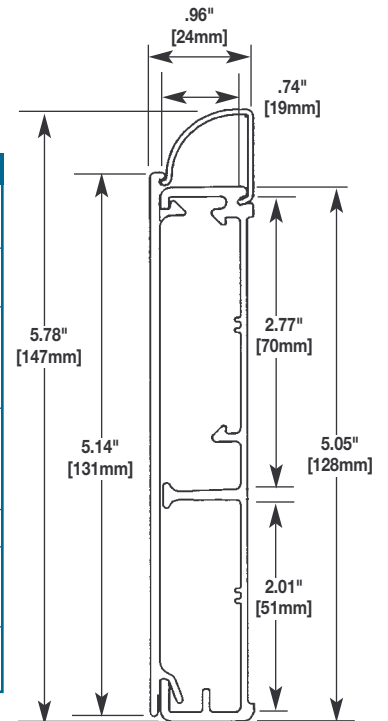
ACCESS 5000 RACEWAY WIRE CAPACITIES FOR POWER/TOP COMPARTMENT

WIRE SIZE	THHN, THWN
10 AWG	12
12 AWG	20
14 AWG	24

ACCESS 5000 RACEWAY CABLE FILL CAPACITIES FOR DATA/COMMUNICATION

	CABLE/WIRE SIZE	O.D.		Bottom Compartment		Top Compartment	
		Inches	[mm]	20% Fill	40% Fill	20% Fill	40% Fill
UNSHIELDED TWISTED PAIR	4-pair, 24 AWG Cat 5 UTP	0.220	5.5	7	14	10	20
	4-pair, 24 AWG Cat 3 UTP	0.190	4.8	9	19	13	27
TELEPHONE	2-pair, 24 AWG	0.140	3.5	18	36	25	50
	3-pair, 24 AWG	0.150	3.8	15	31	21	43
	4-pair, 24 AWG	0.190	4.8	9	19	13	27
	25-pair, 24 AWG	0.410	10.3	2	4	2	5
COAXIAL	RG58/U	0.195	4.7	9	18	13	26
	RG59/U	0.242	6.1	6	12	8	16
	RG62/U	0.242	6.1	6	12	8	16
	RG6/U	0.270	6.8	4	9	6	13
TWINAXIAL	100 Ohm	0.330	8.3	3	6	4	9
SHIELDED TWISTED PAIR	TYPE 1	0.390	9.8	2	4	3	6
	TYPE 2	0.465	11.6	1	3	2	4
	TYPE 3	0.245	6.1	5	11	8	16
FIBER OPTIC	Two Strand (Duplex) Multimode, 62.5/125 μm	0.19	4.8	9	19	13	27

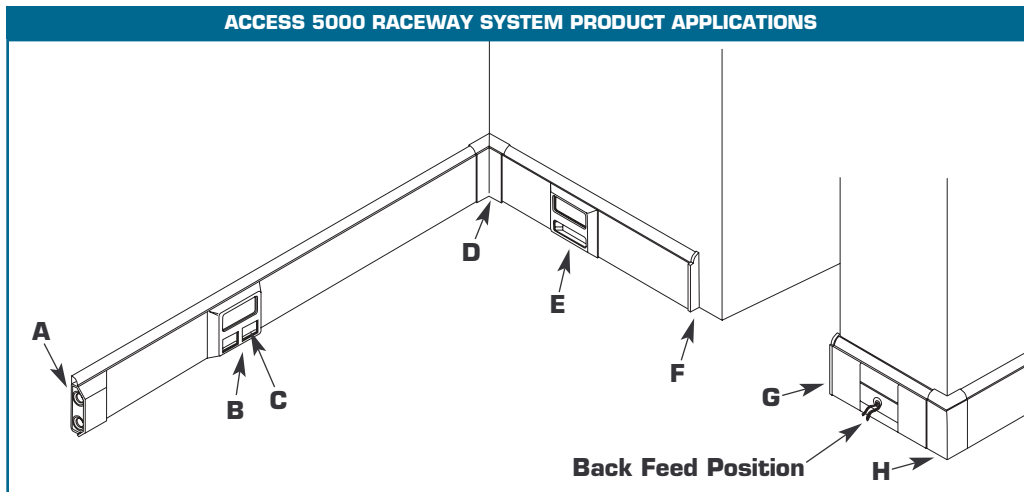
Without Device Plate



* 20% cable fill is calculated to approximate reduction in cable capacity due to connectors mounted within raceway and fittings that may restrict cross sectional area.

** 40% cable fill is the maximum designed cable fill based on a proposal revision to TIA/EIA-569-A.

ACCESS 5000 RACEWAY SYSTEM PRODUCT APPLICATIONS



- | | | | |
|-------------------------|--|-------------------------|--|
| A – 5010A | Entrance End Feed | E – 5007C-1A | Device Bracket |
| B – 5007C-2A | Deep Device Bracket | F – 5010R | Right End Cap |
| C – 2A | Activate Connectivity Insert | G – 5010L | Left End Cap |
| D – 5017B, 5017C | Internal Base Elbow,
Internal Cover Elbow | H – 5018B, 5018C | External Base Elbow,
External Cover Elbow |

NOTE: Illustration is for showing product applications only.

Datacom Connectivity Options

Now you have a wide range of options for providing datacom connectivity into Wiremold® Cable Management Systems. They are:

- Ortronics® TracJack® and Series II Modular Connectivity Solutions
- Pass & Seymour Activate™ Modular Inserts
- Open System Communication Modules

ORT	ORT	ORT
P&S	P&S	P&S
OPEN	OPEN	OPEN

Use these icons to determine connectivity options for each Wiremold System component:

ORT

Ortronics® Connectivity

P&S

TracJack® Individual Jack System

OPEN

- Front-loading, snap-in design supports future moves adds and changes
- Inserts for voice, data, audio, and video
- Available Category 3, 5e, 6, USOC 6-position, and other media
- Flat or angled 45° exit configurations
- Choice of 13 colors and color matched to Wiremold Systems
- Universal T568A/B wiring format



Series II Front-Loading, Module System

- Module design features easy snap-in front-loading design
- Linear 110 punch down format for easy termination
- Inserts for voice, data, audio, and video
- Available Category 3, 5e, 6, USOC 6-position, and other media
- Available in flat or angled 45° exit configurations
- Color matched to Wiremold Systems



For detailed product selection refer to the Ortronics Catalog or visit www.ortronics.com.

ORT

Pass & Seymour Legrand Network Wiring

P&S

Activate™ Series Front-Loading Inserts

OPEN

- Modular inserts for voice, data, audio and video applications
- Front-load, snap-in design
- Color and texture matched to Wiremold Systems
- Available Category 3, 5e, 6, as well as 6-position USOC
- Universal T568A/B wiring format



For detailed product selection refer to the Pass & Seymour Network Wiring Catalog or visit www.passandseymour.com.

ORT

Open Connectivity Solutions

P&S

Wiremold Open System Communications Modules

OPEN

- Accommodate a wide range of manufacturers' communications outlets including keystone jacks, as well as proprietary solutions from Avaya (Lucent) and NORDX
- Modules insert into a wide range of Wiremold Systems
- Pre-punched faceplates accept common communication devices



NOTE: For more information on integrating connectivity into Wiremold Cable Management Systems contact the Wiremold Applications Engineering Team or your local Wiremold Sales Representative.

WIREMOLD

 **legrand**

Wiremold / Legrand

U.S. and International:

60 Woodlawn Street • West Hartford, CT 06110

1-800-621-0049 • FAX 860-232-2062 • Outside U.S. 860-233-6251

Canada:

570 Applewood Crescent • Vaughan, Ontario L4K 4B4

1-800-723-5175 • FAX 905-738-9721

