

Floor Boxes
 SystemOne 4" Round Recessed Boxes
 For use in Raised Access or Wood Floors

HUBBELL

Features

- Temporary Installion Cover Included
- UL 514A listed



Ordering Information

Description	Material	UPC Number	Catalog Number
4" Recessd Box	Cast Aluminum	783585545295	AFBS1R4BASE

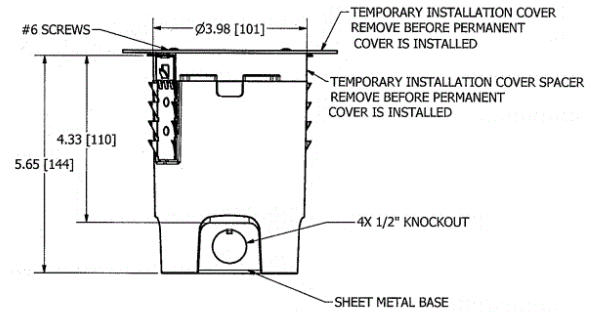
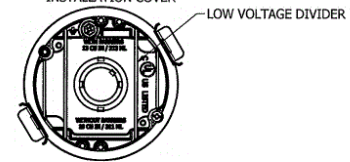
Listings

UL 514A listed

Specifications

Box	Cast Aluminum
Box Botton	Steel, Galvanized
Temporary Cover	Steel, Galvanized
Knockouts	Sides: (4) 1/2" Bottom: (1) 1/2", 3/4" & 1" Concentric

TOP VIEW WITHOUT TEMPORARY INSTALLATION COVER



Online Resources

Customer Use Drawing
 eCatalog
 Installation Instructions

Dimensions in Inches (mm)

Hubbell Wiring Device-Kellems • Hubbell Incorporated (Delaware) • 40 Waterview Drive • Shelton, CT 06484

Phone (800) 288-6000 • Fax (800) 255-1031 • Specifications subject to change without notice.

