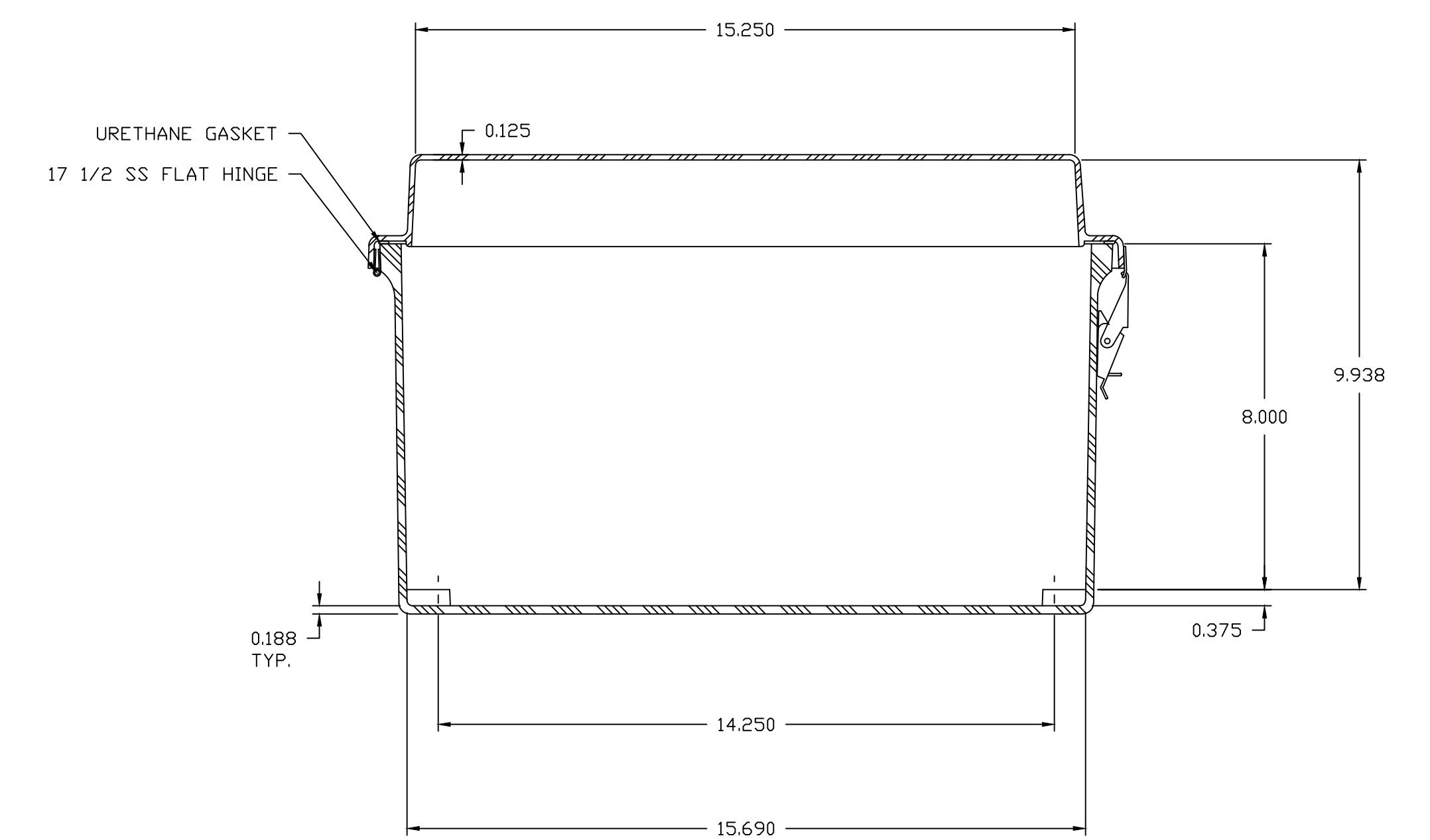
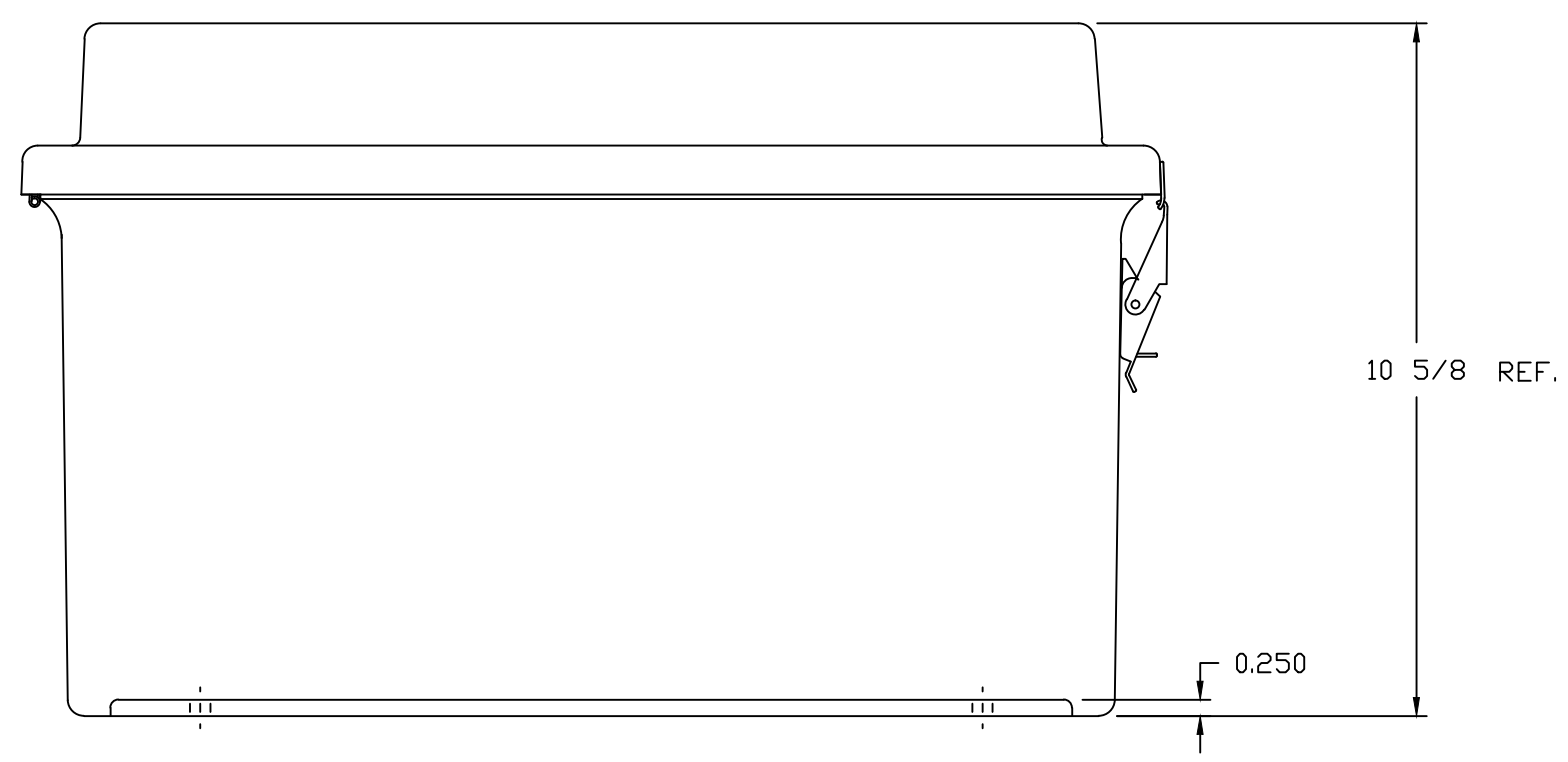



SECTION B-B



SECTION A-A

NOTES:

COLOR: GLACIER GRAY RR3013				TOLERANCES UNLESS SPECIFIED		DECIMAL ± .010	FRACTIONAL ± 1/32
NEMA 4X							
MATERIAL		DR. BY	DATE	 <b>STAHLIN ENCLOSURES</b> DIVISION OF ROBROY INDUSTRIES			
F.R. POLYESTER FIBERGLASS		SH	5/8/91				
LET.	REVISION RECORD	DATE	BY	CHK. BY	DATE	BELDING, MICHIGAN 48809	
				APD. BY	DATE	CUSTOMER	
				SCALE DO NOT SCALE		PART NO. RJI1816HPL	
						AutoCAD DWG. FILE RJI1816HPL	