

BALDOR® • ***RELIANCE***

Product Information Packet

CD3450

.5HP,1750RPM,DC,56C,3420D,TEFC,F1,N

Part Detail							
Revision:	X	Status:	PRD/A	Change #:		Proprietary:	No
Type:	DC	Prod. Type:	3420D	Elec. Spec:	34WG1909	CD Diagram:	CD0860C01
Enclosure:	TEFC	Mfg Plant:		Mech. Spec:	34-6172	Layout:	34LY6172
Frame:	56C	Mounting:	F3	Poles:	00	Created Date:	
Base:	RG	Rotation:	R	Insulation:	F	Eff. Date:	10-28-2014
Field Type:	Shunt	Literature:		Elec. Diagram:		Replaced By:	

Specs

Enclosure:	TEFC		
Frame:	56C		
Frame Material:	Steel		
XP Class and Group:	None		
Agency Approvals:	CSA		
	UR		
Base Indicator:	Rigid		
Bearing Grease Type:	Polyrex EM (-20F +300F)		
Drip Cover:	No Drip Cover		
Duty Rating:	CONT		
Feedback Device:	NO FEEDBACK		
Field Winding Type:	SHUNT		
Heater Indicator:	No Heater		
Insulation Class:	F		
Lifting Lugs:	No Lifting Lugs		
Motor Lead Quantity/Wire Size:	2 @ 14 AWG		

	4 @ 18 AWG		
Motor Lead Exit:	Ko Box		
Motor Lead Termination:	Flying Leads		
Mounting Arrangement:	F3		
Product Family:	General Purpose		
Pulley End Bearing Type:	Sealed Bearing		
RoHS Status:	ROHS COMPLIANT		
Shaft Extension Location:	Pulley End		
Shaft Ground Indicator:	No Shaft Grounding		
Shaft Rotation:	Reversible		
Shaft Slinger Indicator:	No Slinger		
Motor Standards:	NEMA		

Nameplate NP0111L			
CAT.NO.	CD3450		
SPEC.	34-6172-1909		
HP	.5	ENCL	TEFC
RPM	1750		
FRAME	56C	TYPE	3420D
ARM V	90	ARM A	5.2
FLD V	100/50	FLD A	.5/1
INSUL	F	AMB.	40
DUTY	CONT	SUPPLY	1.3
BRG/DE	6203	BRG/ODE	6203
BRUSHES	2/BP5000H03		
SER.	BLANK		
BLANK			
APRV-CSA	<input type="checkbox"/>	APRV-UL	<input type="checkbox"/>

DC Motor Performance Data

Record # 379 - Typical performance - not guaranteed values

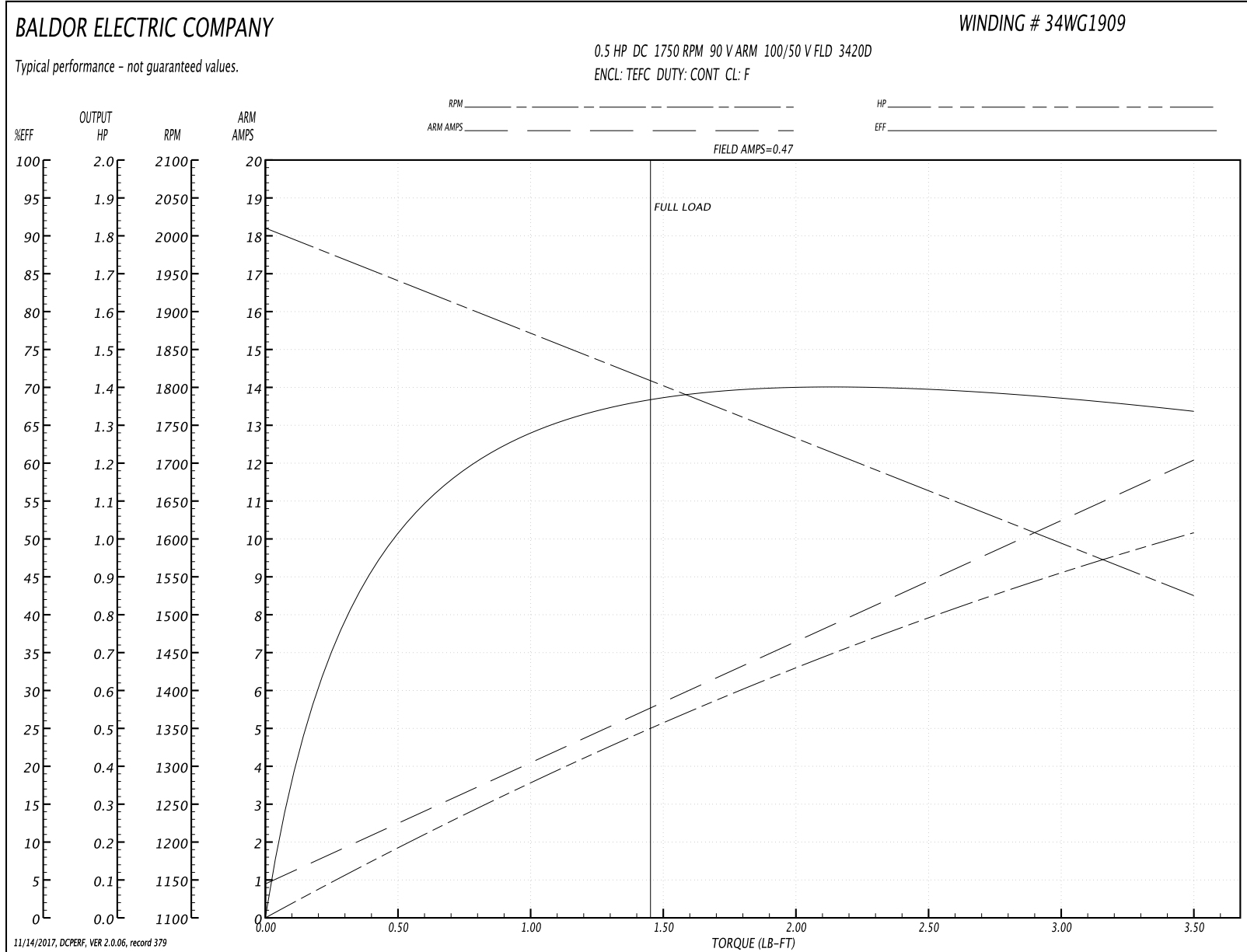
Winding: 34WG1909-R001	Type: 3420D	Enclosure: TEFC
-------------------------------	--------------------	------------------------

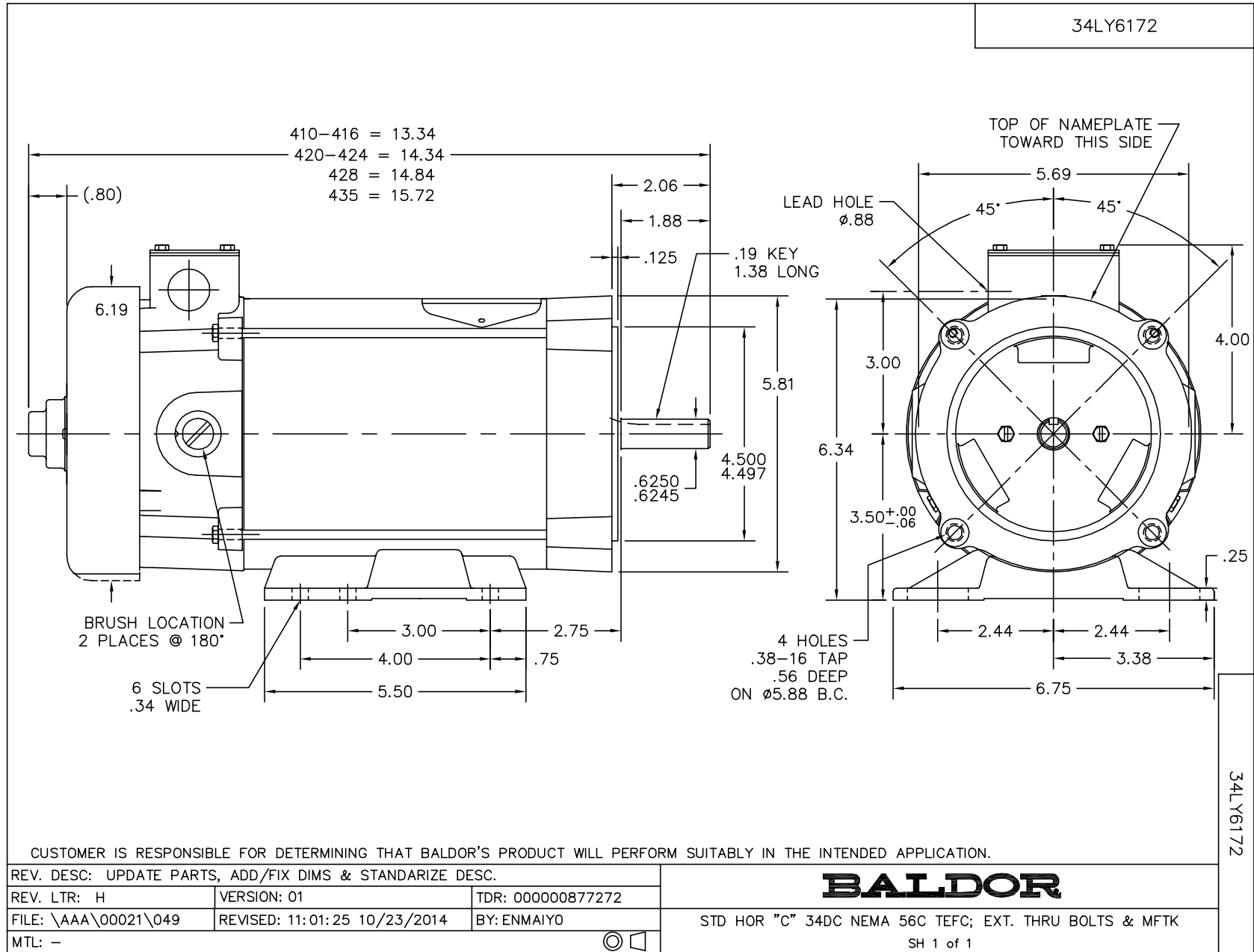
Nameplate Data		General Characteristics	
Rated Output (HP)	0.5		
R.P.M.	1750		
Armature Volts	90		
Armature Amps	5.2		
Field Volts	100 / 50	Armature Inductance	12.441 mH
Field Amps	0.5 / 1	Armature Inertia	0.037 LF ²
Rating - Duty	40C AMB-CONT		
Form Factor	1.3		

Load Characteristics at 90 Armature Volts, 100 Field Volts, 0.47 Field Amps

Load Point	1	2	3	4	5	6	7
Armature Amps	0.9	2.498	4.095	5.693	7.29	8.888	12.083
R.P.M.	2010	1941	1871	1802	1733	1664	1525
Torque (LB-FT)	0	0.5	1	1.5	2	2.5	3.5

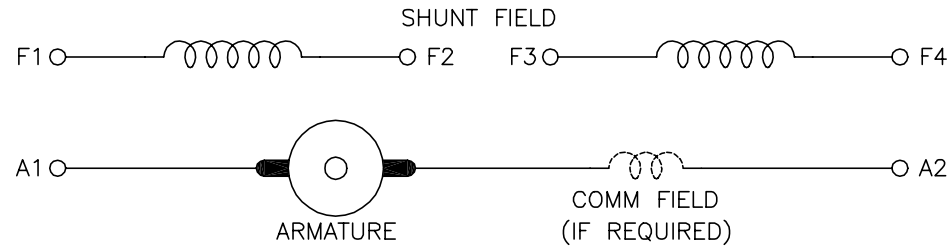
Performance Graph at 90.0 Arm V, 0.5HP Typical performance - Not guaranteed values





CD0860C01

SHUNT WOUND



CONNECTION	DIRECTION OF ROTATION			
	CWDE		CCWDE	
	POS TERM (+)	NEG TERM (-)	POS TERM (+)	NEG TERM (-)
HIGH VOLTAGE	A1 F1 CONNECT F2 & F3	A2 F4	A2 F1 CONNECT F2 & F3	A1 F4
LOW VOLTAGE	A1 F1 & F3	A2 F2 & F4	A2 F1 & F3	A1 F2 & F4

NOTES:

1. LIMIT STARTING INRUSH CURRENT TO NOT MORE THAN 3 TIMES RATED AMPERES BY ENERGIZING THE FULL SHUNT FIELD BEFORE BRINGING THE ARMATURE VOLTAGE UP SLOWLY OR IN STEPS.
2. OPTIONAL FIELD REOSTAT MAY BE CONNECTED IN SERIES WITH THE SHUNT FIELD.
3. OPTIONAL THERMOSTAT LEADS ARE MARKED J,J.

REV. DESC: NEW, REPLACE CD0860			
REV. LTR: -	BY: JLP	REVISED: 15: 35: 22 11/03/2004	TDR: 347796
100098000		FILE: AAA00121477	REF: CD0860C01
		MTL: -	

BALDOR ELECTRIC Co.

DC CONNECTION DIAGRAM, SHUNT FIELD, 6 LEAD, DUAL VOLTAGE

CD0860C01