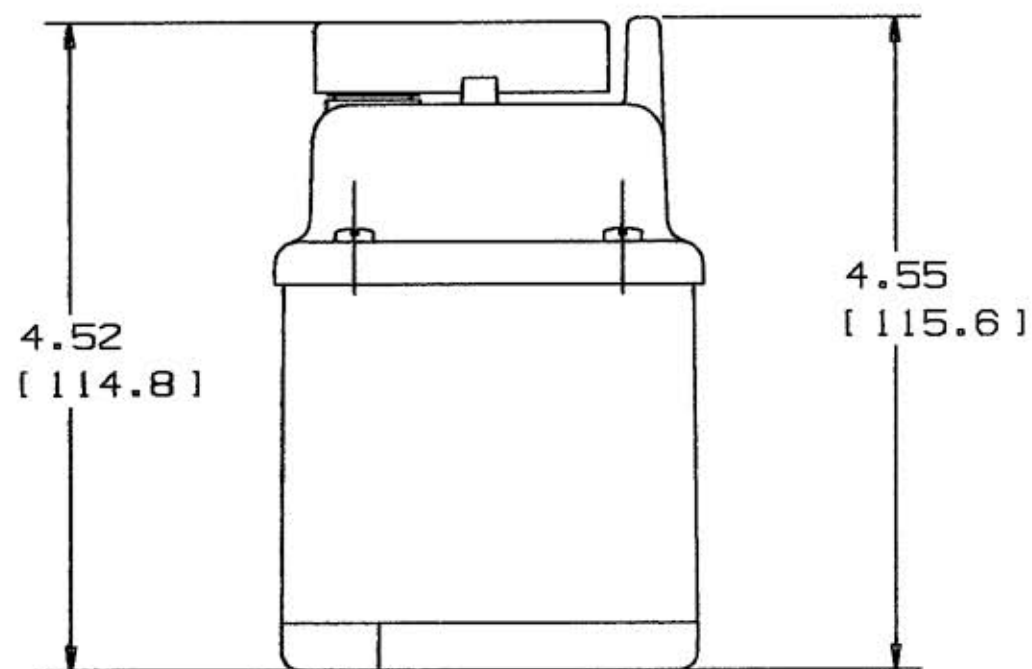
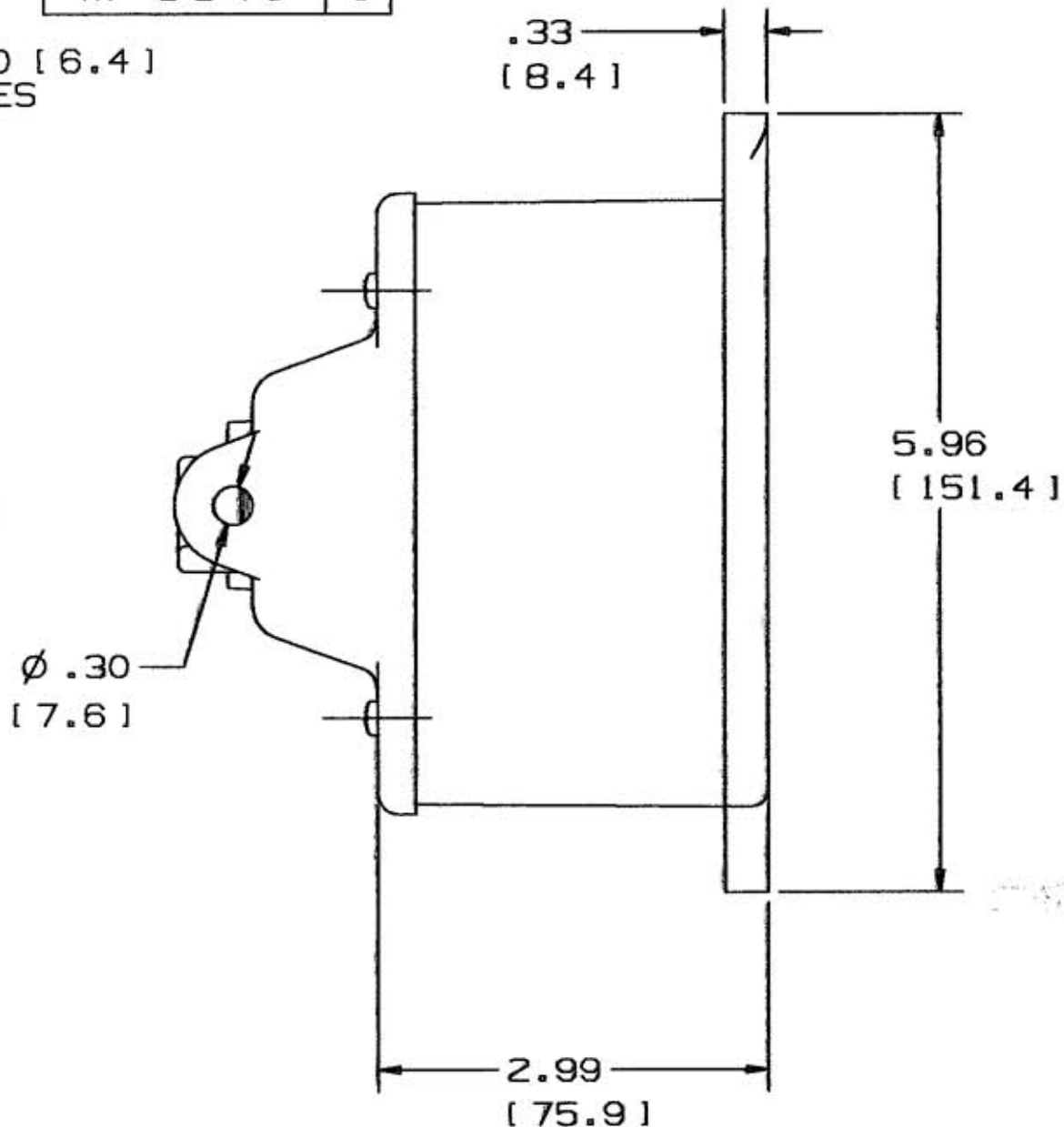
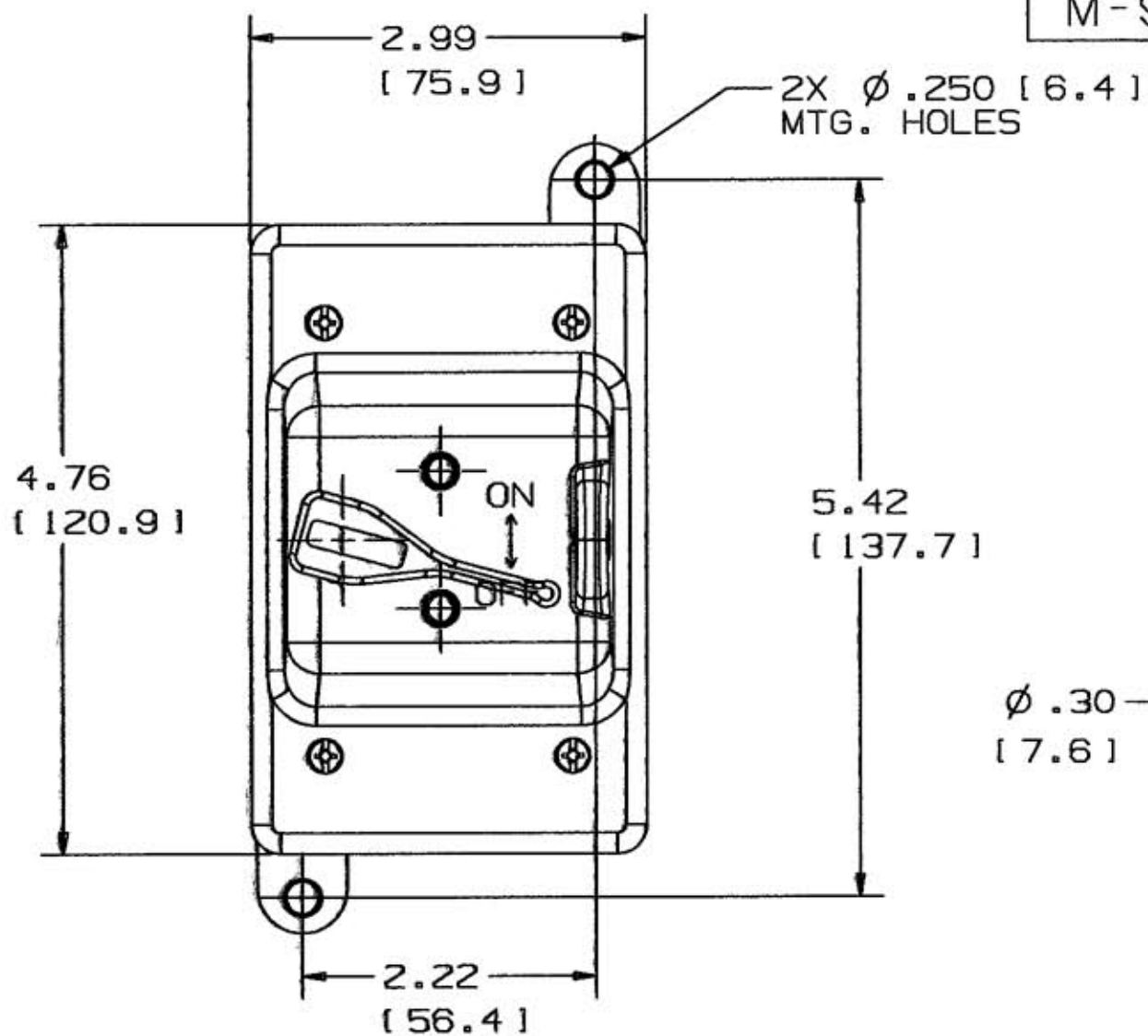


M-9340 | 1



DIMENSIONS IN INCHES [MM]

CATALOG NO.	PHASE	GENERAL RATING	H.P. RATINGS				TERM. MAX. CAP. & WIRE INFO.	INSUL. STRIP IN. [MM]	TERMINAL TORQUE LB. IN. [Nm]
			120V AC	240V AC	480V AC	600V AC			
HBL13R22D	1 Ø	30A	2	5	10	15	#10 AWG	5/8 [16]	20 [2.4]
HBL13R23D	3 Ø	600VAC	3	7.5	15	20			

LIST OF PARTS

DESCRIPTION	MATERIAL	FINISH
ENCLOSURE	THERMOPLASTIC	GRAY
ENCLOSURE HANDLE	THERMOPLASTIC	RED
COVER SCREWS	COPPER ALLOY	
ENCLOSURE GASKET	CLOSED CELL	BLACK
SW BASE & COVER	THERMOSET	BLACK
SW BRIDGE	STEEL	ZINC
SW HANDLE	THERMOPLASTIC	BLACK
SW TERMINALS	COPPER ALLOY	
SW BACK WIRE PLATES	COPPER ALLOY	
SW TERMINAL SCREWS	COPPER ALLOY	

DIMENSION SHEET FOR CAT. NO.

SEE CHART

REPAIRABLE

NON-REPAIRABLE

B

M-9340

1

1	DCN11626 INITIAL RELEASE	SM	4-14-04
SYM	REVISIONS	APP	DATE

THE DESIGN AND DIMENSIONS OF THE PRODUCT SHOWN ON THIS DRAWING ARE SUBJECT TO CHANGE WITHOUT NOTICE

TITLE 30A DISC. IN 3R PLASTIC ENCLOSURE HUBBELL CUSTOMER DWG.

TOLERANCES UNLESS OTHERWISE SPECIFIED FRACTIONS ± 1/64 DECIMALS ± .005 ANGLES ± 2°	WIRING DEVICE-KELLEMS HUBBELL INCORPORATED BRIDGEPORT, CT		
	DR. BY PAC	APP. BY SM	
	TR. BY	SCALE NONE	
	CHK'D BY SM	DATE 4-6-04	