

Straight Blade Devices
 20A, 250V, 2 Pole, 3 Wire Grounding
 HBL® Extra Heavy Duty Hospital Grade
 Duplex Receptacle

HUBBELL

Features

- Deep body design with circuit ID face
- Patented ground contact provides redundant grounding

Ordering Information

Description	Device Color	UPC	Catalog Number
Back and side wired	Ivory	783585435824	HBL8400I

Listings

UL Listed to UL498 File No. E2186
 Certified to CSA, C22.2, No. 42 File 285
 Fed. Spec. W-C-596
 NEMA® WD-6 Compliant

Specifications

Face	PBT
Base	PBT
Power Contacts	.036". (.9) Nickel plated brass
Ground Contacts	Plated brass
Clamping Plate	Nickel plated brass
Terminal Screws	Plated brass
Mounting Strap	.050 in. (1.3) Nickel plated brass
Mounting Screws	Stainless steel

Performance

Electrical

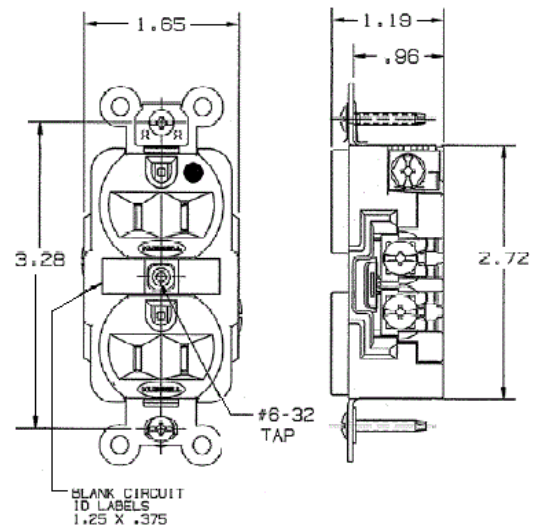
Current Interrupting	Certified for current interrupting at full rated current
Dielectric Voltage	Withstands 2,000V minimum

Mechanical

Product Identification	Ratings are a permanent part of the device
Terminal Accommodation	#14-#10 AWG copper stranded or solid conductor only
Terminal Identification	Terminals identified in accordance with UL 498 and CSA

Environmental

Flammability	UL 94 V-0
Operating Temperatures	Maximum continuous 75°C; minimum -40°C (w/o impact)



Accessories

Wallplate or Weatherproof Cover Duplex Opening

Resources

Customer Use Drawing
 eCatalog

Dimensions in Inches (mm)

Hubbell Wiring Device-Kellems • Hubbell Incorporated (Delaware) • 40 Waterview Drive • Shelton, CT 06484

Phone (800) 288-6000 • Fax (800) 255-1031 • Specifications subject to change without notice.

